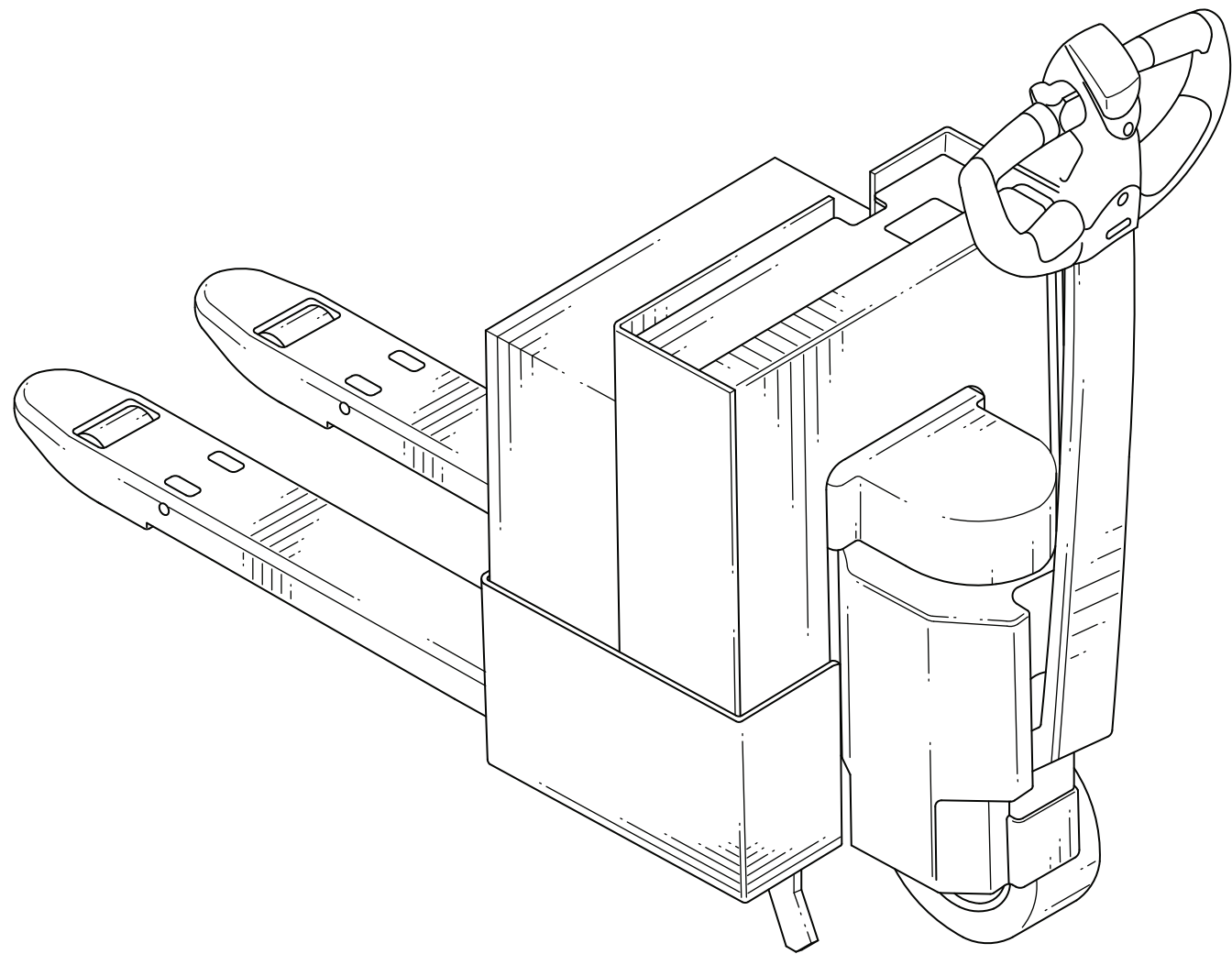


Replacement Parts for Crown GPW Series



Fast Lift Parts

Model Nomenclature

Standard/Custom/Special

-- Standard; C - Custom; S - Special

Fork Spread

22 - 22 in. (560mm); 27 - 27 in. (685mm)

Fork Length

36 - 36 in. (915mm); 42 - 42 in. (1065mm); 48 - 48 in. (1220mm)

Frame

C - Caster; S - Skid Bar

Control

R - Resistor; T - Transistor

Battery Options

-- no batteries; SO - Swingout; MF - Maintenance Free

Drive Tire

P - Poly; R - Rubber

Meter Options

KE - No Meter Options
HM - Hour Meter
DM - Discharge Meter
HD - Hour/Discharge Meter

Cold Condition

C - Corrosion Condition
F - Freezer Condition
-- No Cold Condition

Load Backrest

48 - 48 in. (1220mm)
60 - 60 in. (1525mm)
-- No Backrest

— 27 48 C T -- P HD — 48

Content

Wheels

Quick Wheel Lookup	4
--------------------	---

Electrical

Miscellaneous: Keys, Gauges, Horn	6
Batteries and Related Items	8
Contactor Panel - Resistor	10
Contactor Panel - Transistor (Curtis)	12

Drive Unit

Drive Unit	14
Drive Motors	16

Brake

Brakes	18
--------	----

Control Assembly

Resistor Control Pod	20
Resistor Freezer Corrosion	22
Transistor Control Pod	23
Transistor Freezer Corrosion	26
Control Arm and Wiring Harness	28

Hydraulic

Pump and Motor Assembly	30
Lift Cylinder Assembly	32

Frame and Undercarriage

Riser Assembly	34
Lift Linkage	36
Entry Brackets/Rollers	38
Casters	40

Quick Wheel Lookup

Quick Wheel Lookup

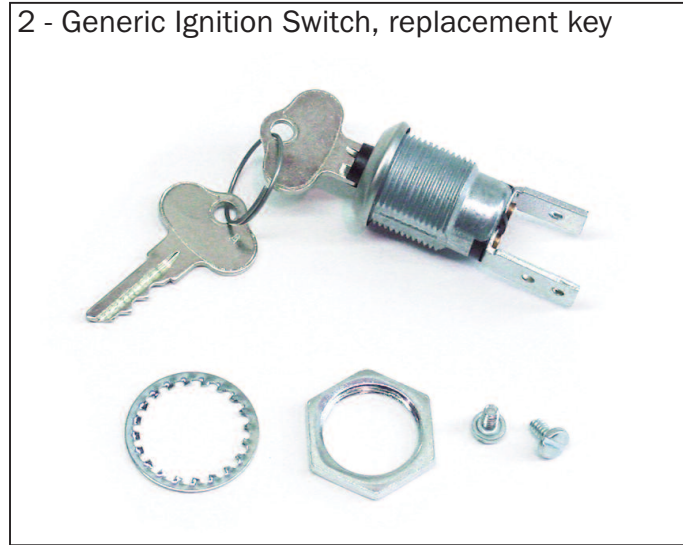
OEM #	Wheel Type	Description	Wheel OD in/mm	Tread Width in/mm	Hub Width in/mm	Hub ID in/mm	Bearing OD in/mm	Bearing #	Material/ Color
CR 83970	Load Wheel	Poly Load Wheel, 95-A	3.250/83	4.500/115	4.500/115		2.440/62	6206Z	Scotch, 95-A "
CR 83970-A	Load Wheel Assy	Poly Load Wheel Assy, 95-A, Incl Bearings	"	"	"		"	"	"
CR 83970-XL	Load Wheel	Poly Load Wheel, 97-A	3.250/83	4.500/115	4.500/115		2.440/62	6206Z	
CR 83970-XL-A	Load Wheel Assy	Poly Load Wheel Assy, 97-A, Incl Bearings	"	"	"		"	"	
CR 71715-01	Drive Tire	Poly Drive Tire, Smooth Flat	10.00/254	5.00/127		6.500/165			Maroon, 88-92-A
CR 71715-05	Drive Tire	Poly Drive Tire, Smooth Flat	10.00/254	5.00/127		6.500/165			Cream, 92-95-A
CR 042028	Drive Tire	Rubber Drive Tire, Smooth Flat	10.00/254	5.00/127		6.500/165			Black
CR 042028-XGROOVE	Drive Tire	Rubber Drive Tire, X-Groove	"	"		"			"
CR 042031-002	Hub	Drive Wheel Hub							
CR 71894	Caster Wheel	Caster Wheel Assy, 95-A, Incl Bearings	4.00/102	2.00/51			1.187/30	BS 34178	Scotch, 95-A

Electrical - Miscellaneous

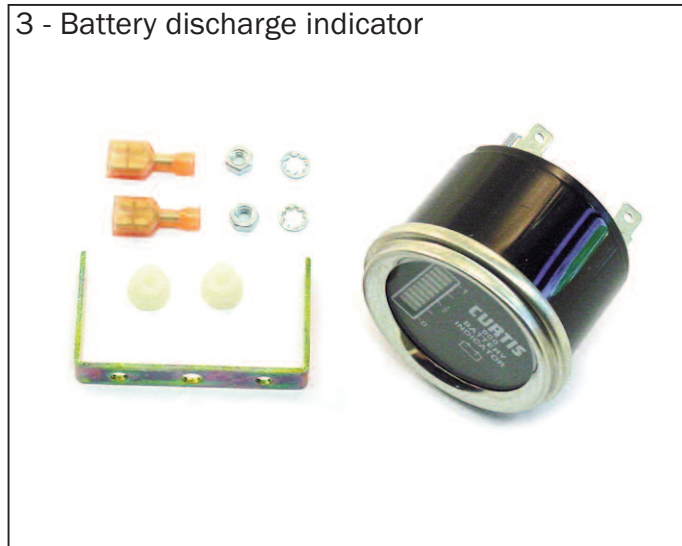
1 - OEM Ignition Switch, replacement key



2 - Generic Ignition Switch, replacement key



3 - Battery discharge indicator



4 - Hour meter



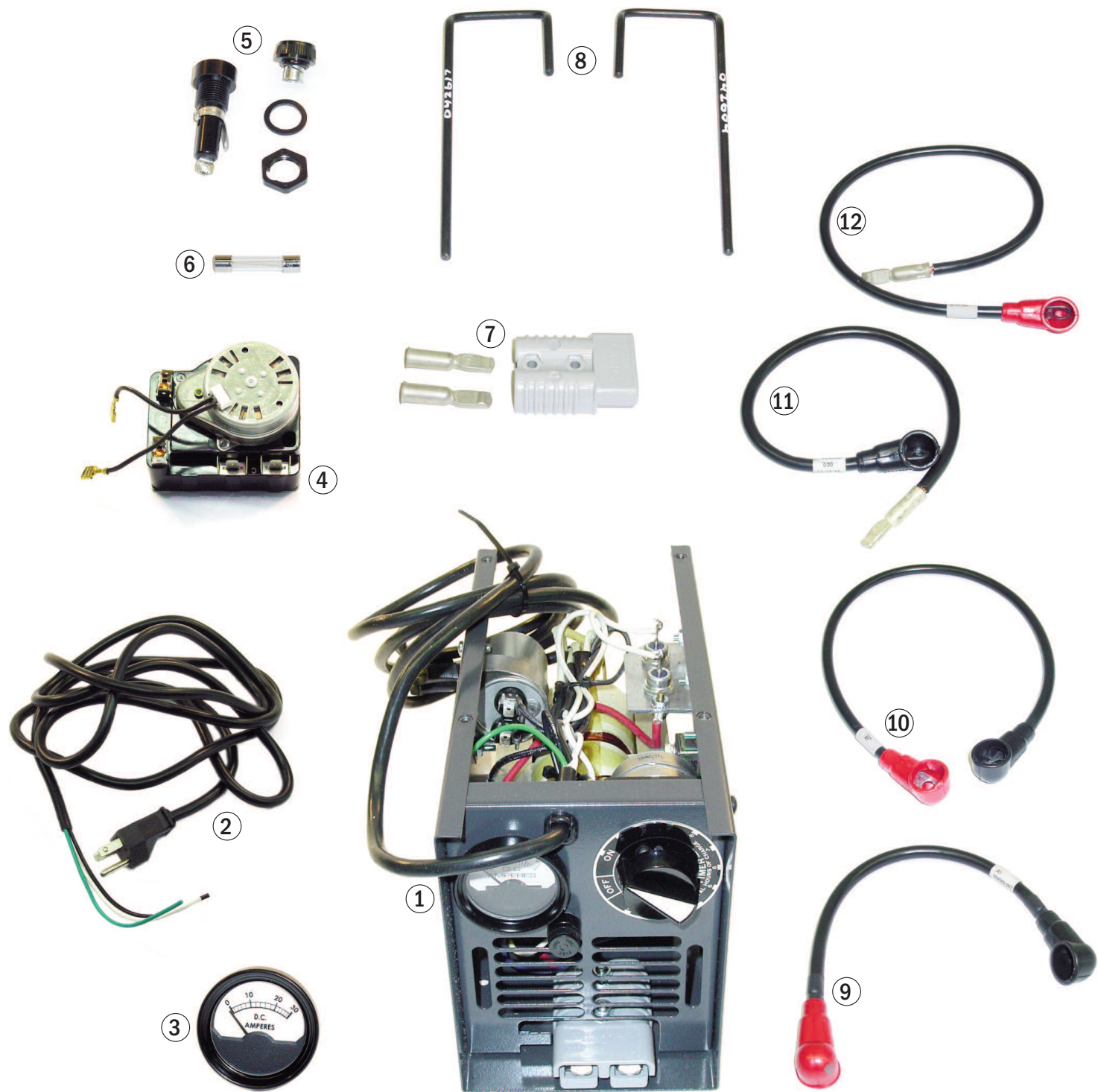
5 - Horn



Electrical - Miscellaneous

Item	Part No.	Description	Application
1	CR 72708-OEM	Ignition switch	Original
	CR 107151-001-OEM	Replacement key	OEM molded key
	CR 107151-001-OEM-G	Replacement key	Non-molded, fits OEM ignition
2	CR 72708	Ignition switch	Generic
	CR 107151-001	Replacement key	Fits Generic Ignition
3	CR 106288	Battery discharge indicator	
4	CR 72733-003	Hour meter	
5	CR 78708-002	Horn	

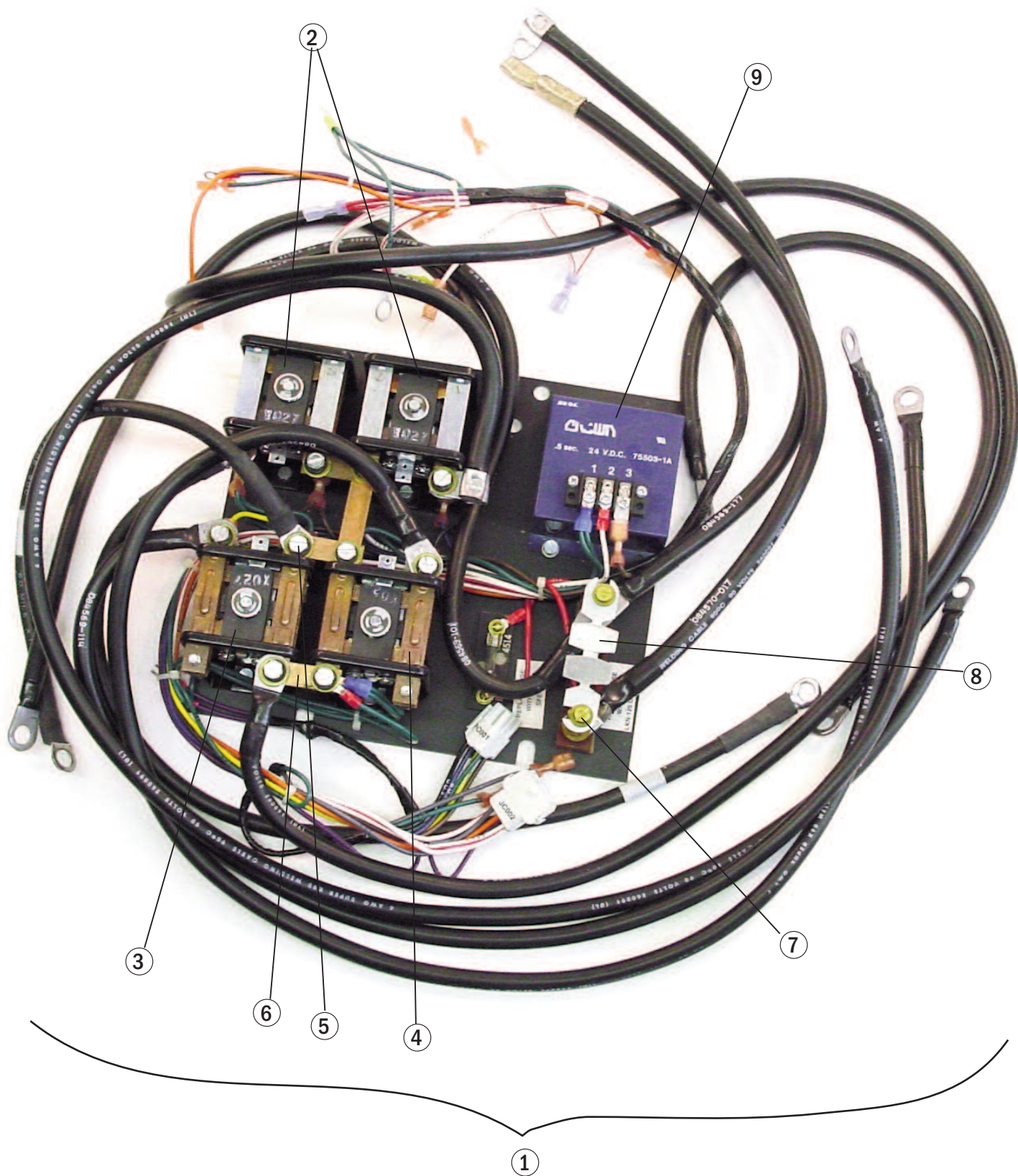
Electrical - Batteries and Related Items



Electrical - Batteries and Related Items

Item	Part No.	Description	Application
1	CR 109131-001	Battery charger	24V DC - 120V AC Input
	CR 109131-002	Battery charger	24V CD - 230V AC Input
2	CR 74233	Charger cord	120V
3	CR 092796	Ammeter	
4	CR 092797	Timer	120V
5	CR 109046	Fuse holder	
6	CR 090132	Fuse, 10 Amp.	
7	CR 078723-002	Connector housing	175 gray
	CR 078724-002	Contact, 175	
8	CR 42617	Pull latch, left	
	CR 42609	Pull latch, right	
9	CR 084569-007	Cable	
10	CR 084569-036	Cable	
11	CR 084569-030	Cable	
12	CR 084569-031	Cable	

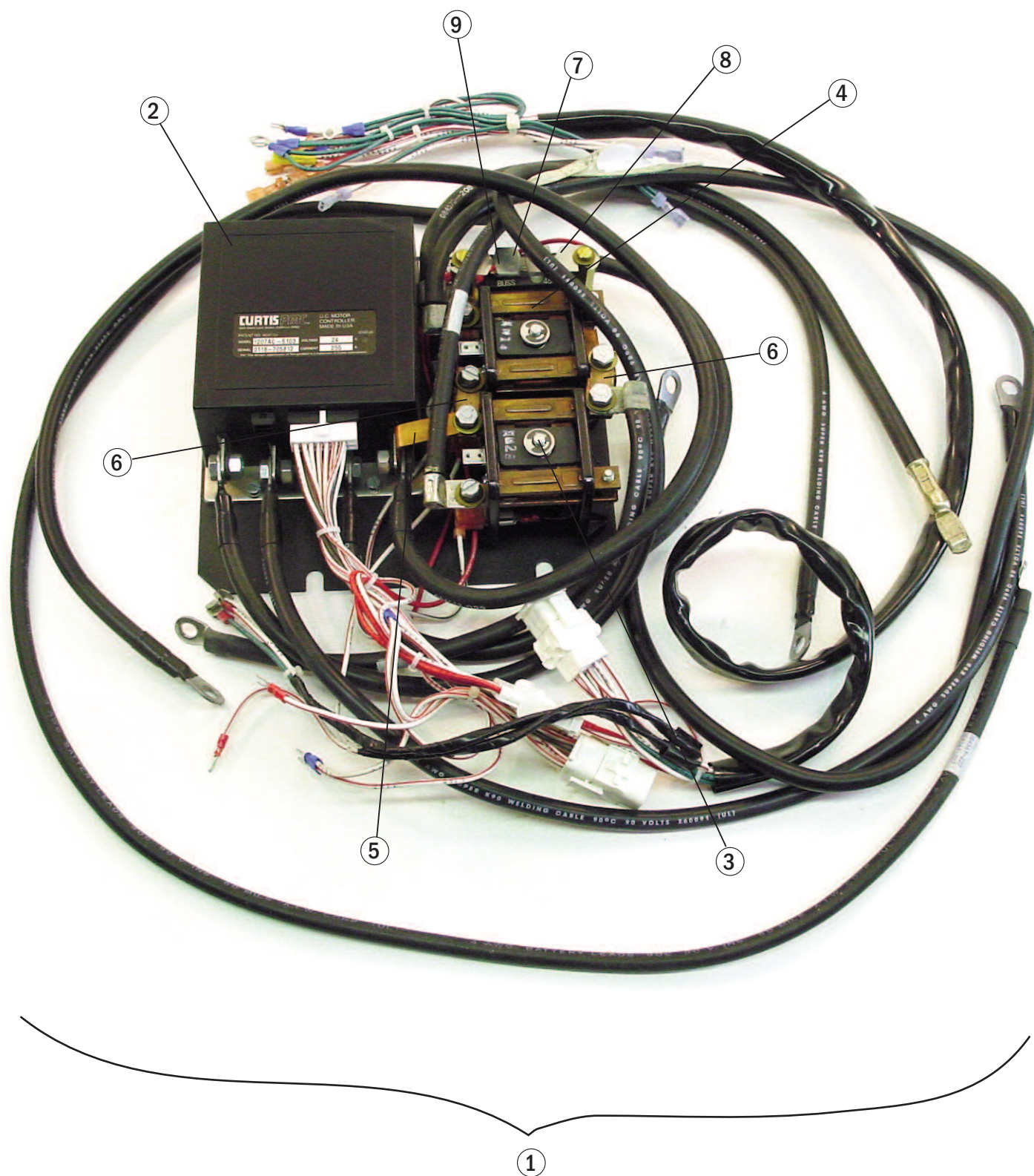
Electrical - Contactor Panel - Resistor



Electrical - Contactor Panel - Resistor

Item	Part No.	Description	Application
1	CR 109910	Contacting panel, assembly	complete w/wiring
2	CR 093576	Contacting, 24V	2nd & 3rd speed
3	CR 093574	Contacting	forward
4	CR 093575	Contacting	reverse
5	CR 74241	Bus bar	
6	CR 76051	Bus bar	
7	CR 71902-002	Fuse	14 Amp
8	CR 076789	Fuse	125 Amp.
9	CR 75503-001	Time delay	.5 seconds
Not shown:			
	CR 105447	Contact tip kit	2nd & 3rd speed
	CR 105446	Contacting tip kit	forward & reverse

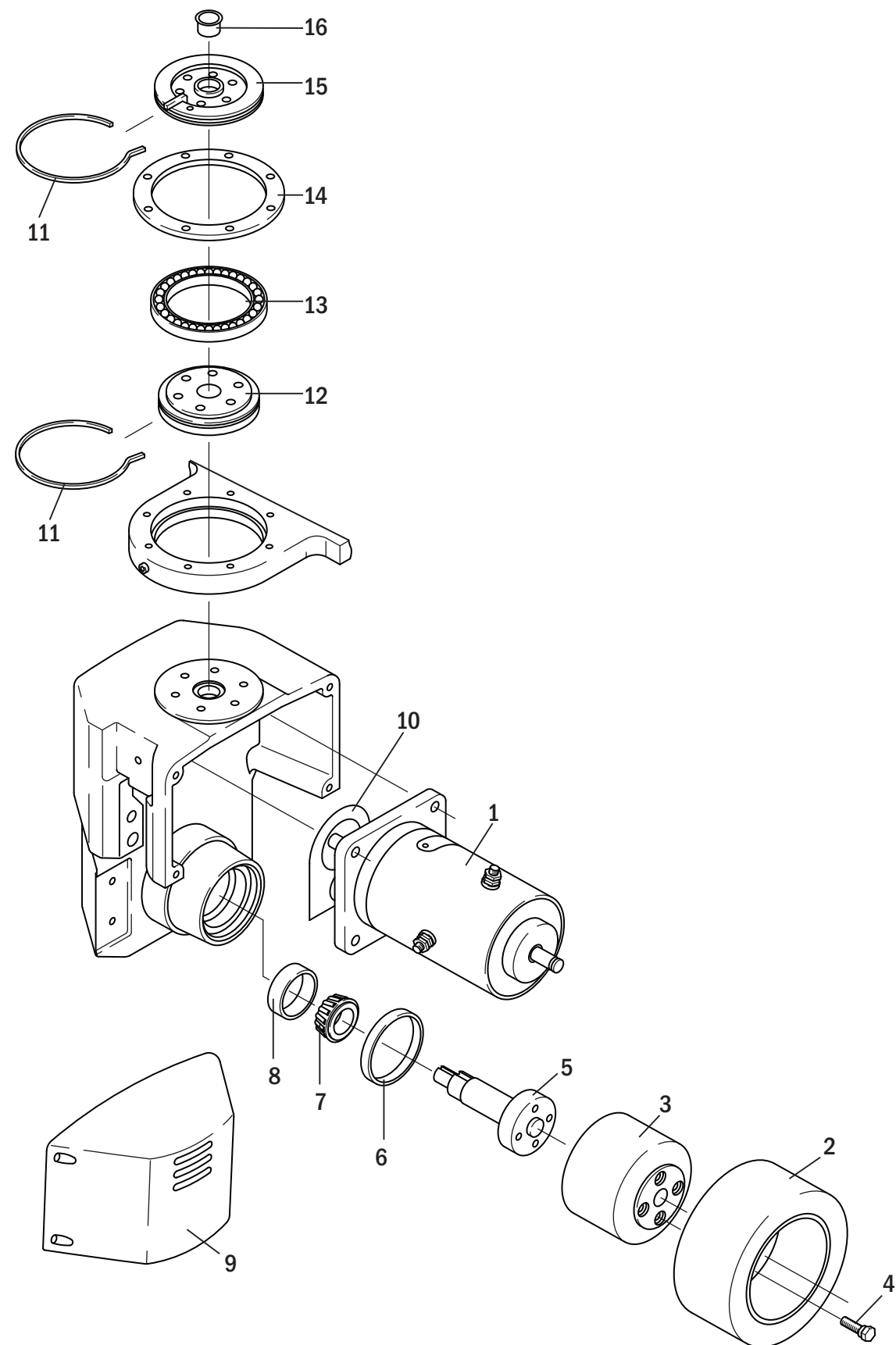
Electrical - Contactor Panel - Transistor (Curtis)



Electrical - Contactor Panel - Transistor (Curtis)

Item	Part No.	Description	Application
1	CR 116944	Contacteur panel - complete	Curtis, w/wiring
2	CR 119336-R	Curtis controller - rebuilt	24V, 250A
	CR 119336-C	Core deposit	
3	CR 093574	Contacteur	reverse
4	CR 093575	Contacteur	forward
5	CR 116853	Bus bar	
6	CR 76051	Bus bar	
7	CR 076789	Fuse	125 Amp
8	CR 116852	Bus bar	
9	CR 71902-002	Fuse	14 Amp
Not shown:			
	CR 105446	Contact tip kit	Forward & reverse

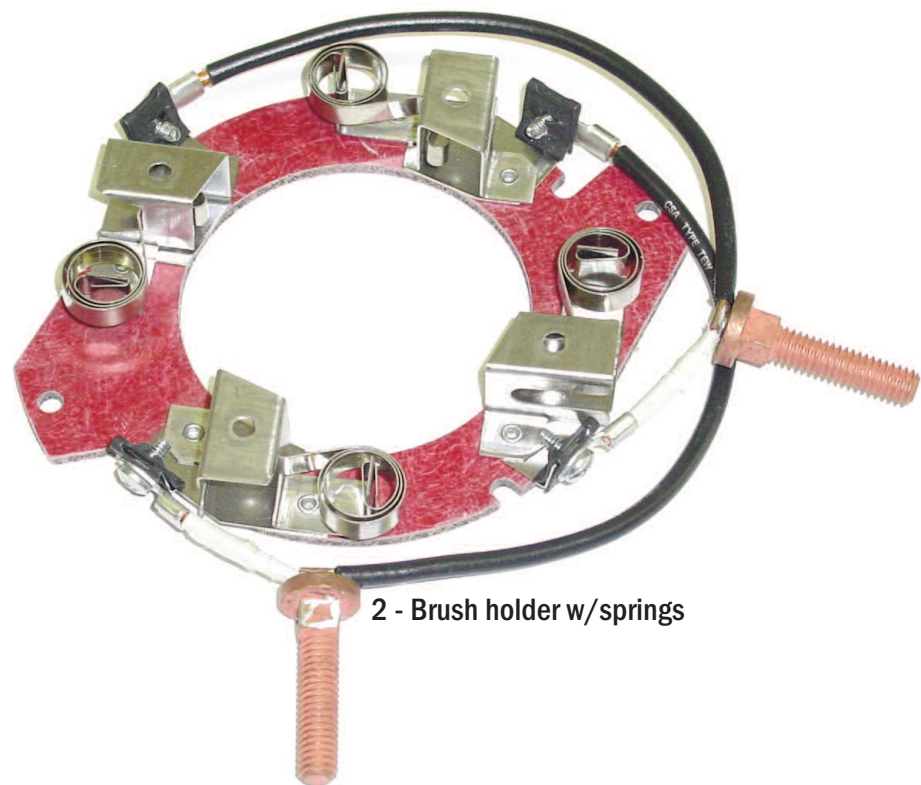
Drive Unit



Drive Unit

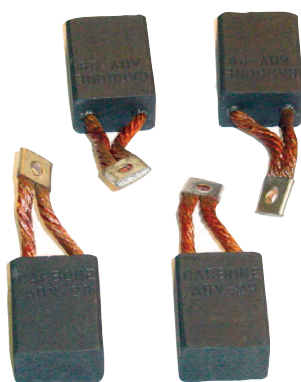
Item	Part No.	Description	Application
1	See drive motor section for listing		
1	CR 75715	Poly drive tire	
	SU 10x4x6.5-SF-P	Poly drive tire	91-A, smooth flat
	SU 10x4x6.5-SC-EZ	Poly drive tire	85-A, smooth Crown
	CR 74458	Rubber drive tire	
	SU 13.5X5.5X8-SF-R	Rubber drive tire	Smooth, flat
3	CR 042031-002	Hub	
4	CR 078885-001	Lug bolt	
5	CR 107374	Axle	to S/N W95005
	CR 108339	Axle	from S/N W95006
6	CR 042024	Axle seal	
7	CR 042020	Bearing cone	
8	CR 042019	Bearing cup	
9	CR 042005	Brake cover	
10	CR 042007	Motor gasket	
11	CR 042025	Felt seal	
12	CR 042017	Lower mounting plate	
13	CR 042021	Bearing	
14	CR 108966	Bearing retainer	
15	CR 042044	Upper mounting plate	
16	CR 085689	Grommet	

Drive Motors

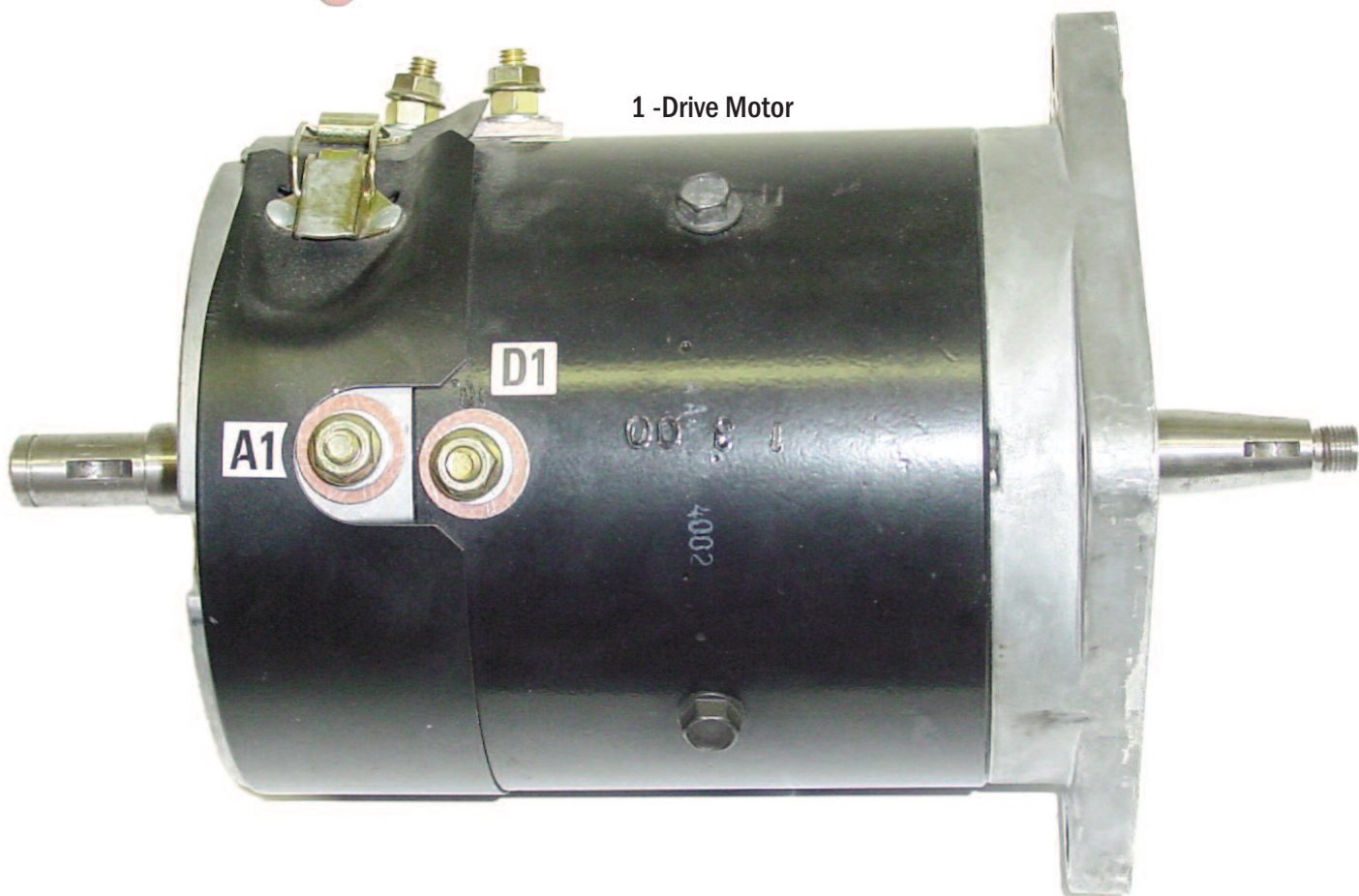


2 - Brush holder w/springs

3 - Brush Set



1 - Drive Motor



Drive Motors

Item	Part No.	Description	Application
1	CR 42047	Drive motor, 24V	up to S/N W31350
2	CR 42267	Brush holder w/spring	
3	CR 87855	Brush set	set of 4
1	CR 42371	Drive motor, 24V	W31351 to 7A105498
2	CR 42267	Brush holder, w/springs	
3	CR 87855	Brush set	set of 4
1	CR 114462	Drive motor, 24V	from 7A106051
2	CR 114669	Brush holder, w/springs	
3	CR 114671	Brush set	set of 4
1	CR 118362	Drive motor	
2	CR 114669	Brush holder, w/springs	
3	CR 114671	Brush set	set of 4

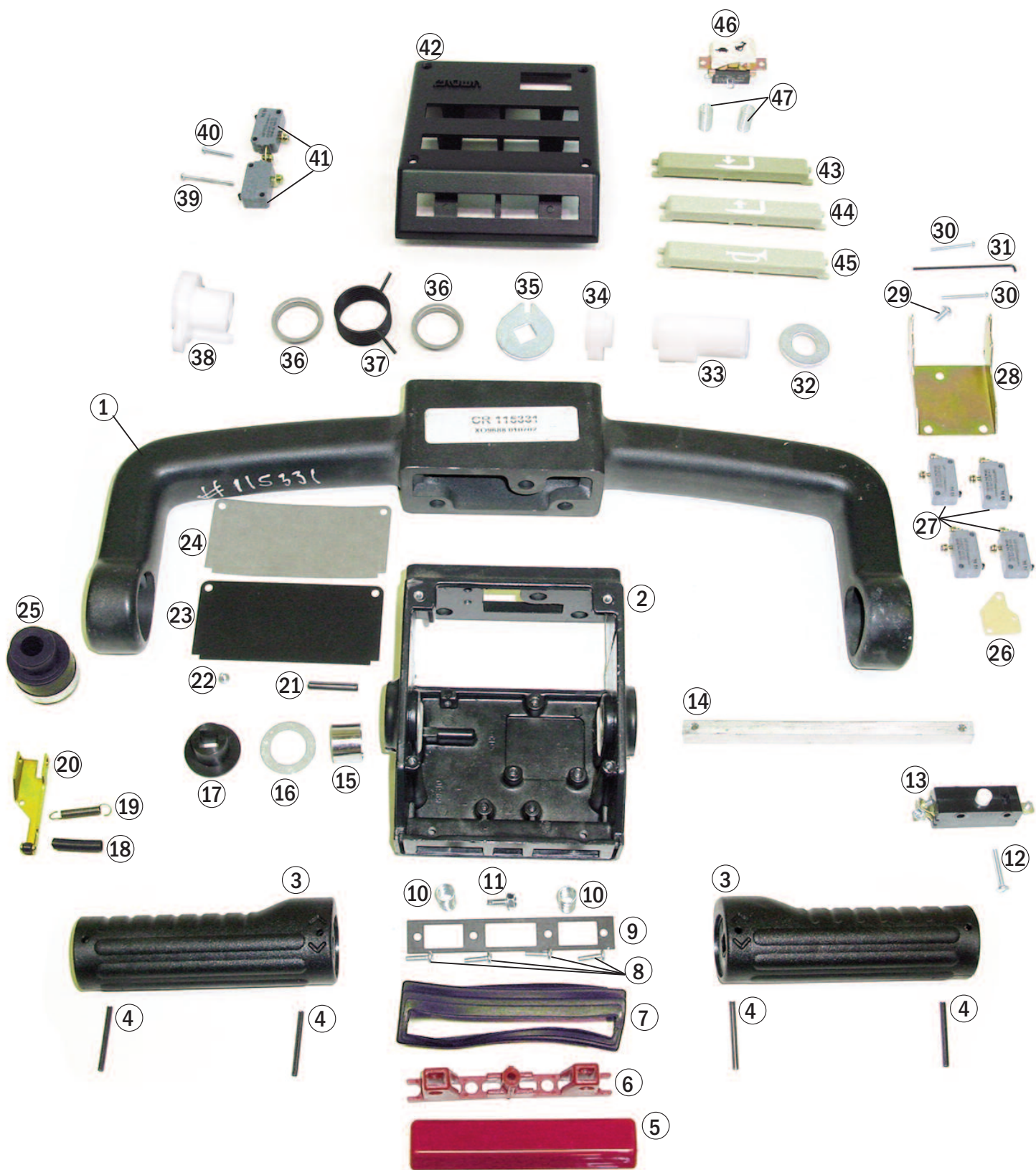
Brakes



Brakes

Item	Part No.	Description	Application
1	CR 100403	Brake drum	
2	CR 50007-010	Bolt	
	CR 50010-015	Lockwasher	
3	CR 42049-002	Bushing	
4	CR 61008-001	Woodruff key	.19
5	CR 60016-002	Cap screw, hex head	
	CR 60005-008	Lockwasher	
6	CR 60038-006	Cotter pin	
7	CR 60030-012	Washer	
8	CR 101221	Brake lever	
9	CR 101261	Retaining clip	
10	CR 101223	Brake shoe	
11	CR 101222	Spring	

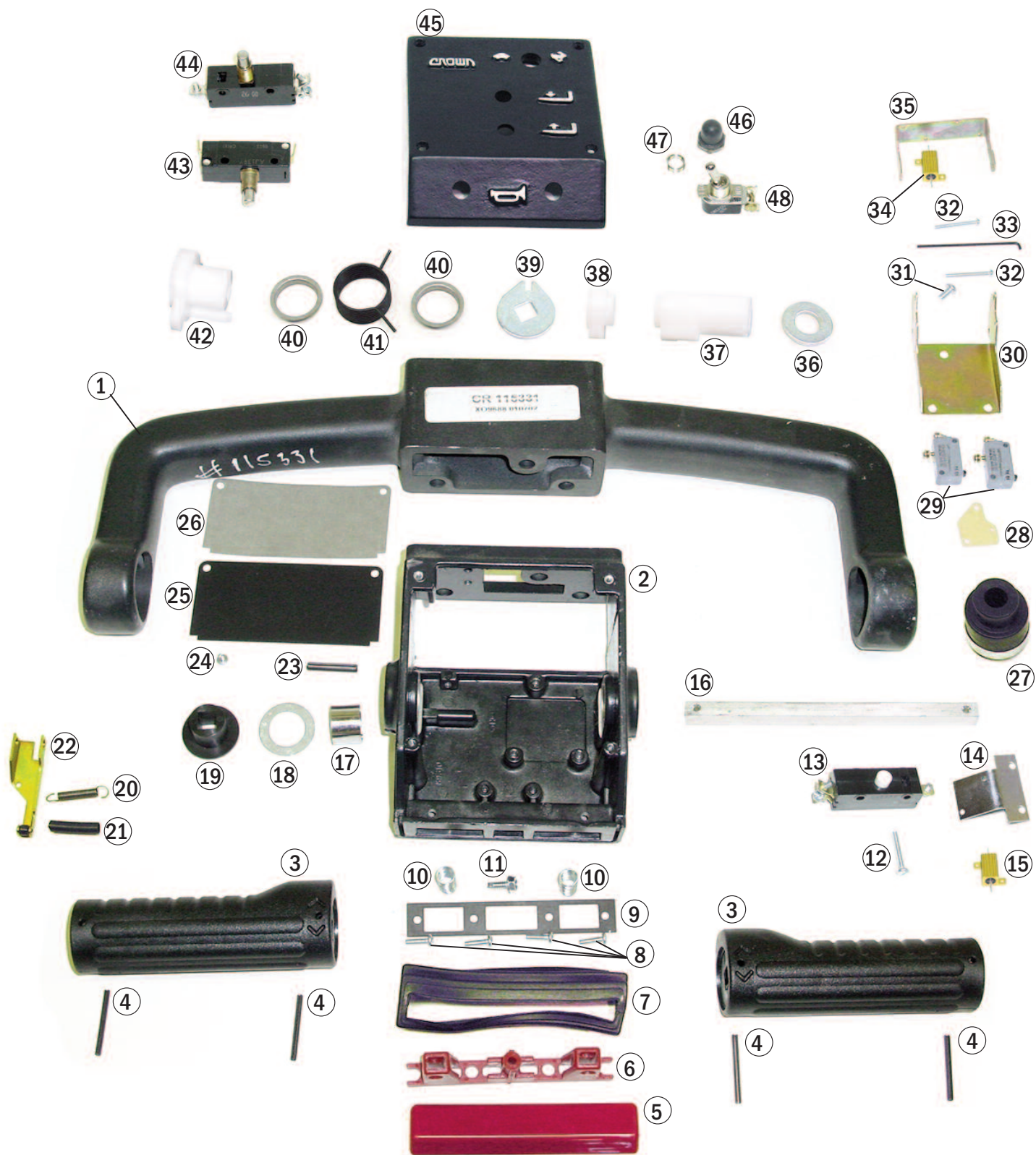
Resistor Control Pod



Resistor Control Pod

Item	Part No.	Description	Item	Part No.	Description
1	CR 089341	Yoke	25	CR 116329	Extension
2	CR 089317	Pod	26	CR 089342	Spacer
3	CR 115675	Grip	27	CR 089362	Switch
4	CR 060000-108	Roll pin	28	CR 089336	Bracket
5	CR 093904-001	Cap button	29	CR 060014-006	Screw #10
6	CR 089324-001	Red body button	30	CR 060011-022	Screw #4
7	CR 088975	Bellow	31	CR 089298-002	Rod
8	CR 060032-035	Self tapping screw	32	CR 060030-190	Flatwasher .03" thick
9	CR 093068	Retainer	33	CR 089356	Cam
10	CR 080695	Spring	34	CR 089543	Cam
11	CR 060032-032	Self tapping screw	35	CR 089514	Plate
12	CR 060012-023	Screw #6	36	CR 088611-002	Collar
13	CR 073375	Switch	37	CR 089360	Torsion Spring
14	CR 089521	Bar	38	CR 089350	Stop
15	CR 092224	Split bushing	39	CR 060011-027	Screw #4
16	CR 060030-163	Flat washer	40	CR 060011-021	Screw #4
17	CR 089510	Bushing	41	CR 089362	Switch
18	CR 065003-017	Sleeving	42	CR 088753-001	Cover unit
19	CR 073371	Spring	43	CR 117267-002	Lower button
20	CR 092586	Arm detent	44	CR 117267-001	Raise button
21	CR 060000-075	Roll pin	45	CR 117267-003	Horn button
22	CR 060032-037	Self tapping screw	46	CR 117268	Switch 3rd speed
23	CR 087144	Cover	47	CR 073384	Spring
24	CR 114003	Insulator			

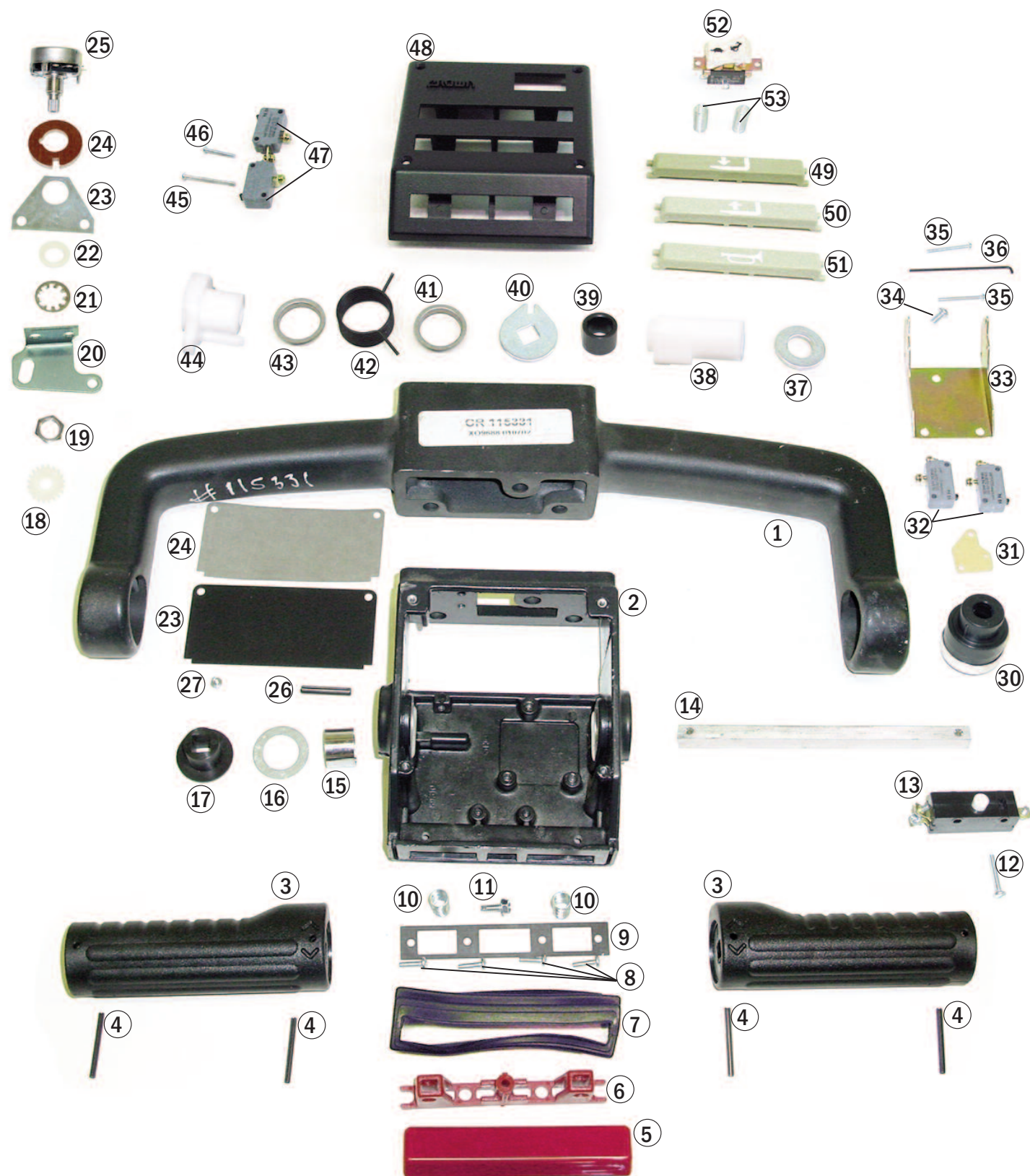
Resistor - Freezer Corrosion



Resistor - Freezer Corrosion

Item	Part No.	Description	Item	Part No.	Description
1	CR 089341	Yoke	26	CR 114003	Insulator
2	CR 089317	Pod	27	CR 116329	Extension
3	CR 115675	Grip	28	CR 089342	Spacer
4	CR 060000-108	Roll pin	29	CR 089362	Switch
5	CR 093904-001	Cap button	30	CR 089336	Bracket
6	CR 089324-001	Red button body	31	CR 060014-006	Screw #10
7	CR 088975	Bellow	32	CR 060011-022	Screw #4
8	CR 060032-035	Self tapping screw	33	CR 089298-002	Rod
9	CR 093068	Retainer	34	CR 062033-013	Resistor, 24V
10	CR 080695	Spring	35	CR 093492-001	Bracket
11	CR 060032-032	Self tapping screw	36	CR 060030-190	Flatwasher .03" thick
12	CR 060012-023	Screw #6	37	CR 089356	Cam
13	CR 073375	Switch	38	CR 089543	Cam
14	CR 93887	Bracket mounting	39	CR 089514	Plate
15	CR 062033-013	Resistor	40	CR 088611-002	Collar
16	CR 089521	Bar	41	CR 089360	Torsion spring
17	CR 092224	Split bushing	42	CR 089350	Stop
18	CR 060030-163	Flat washer	43	CR 101589	Switch, horn
19	CR 089510	Bushing	44	CR 078879	Switch, lower and raise
20	CR 073371	Spring	45	CR 102525-001	Cover
21	CR 065003-017	Sleeving	46	CR 075585	Seal
22	CR 092586	Arm detent	47	CR 077635	Adaptor
23	CR 060000-075	Roll pin	48	CR 077633	Toggle switch
24	CR 060032-037	Self tapping screw			
25	CR 087144	Cover			

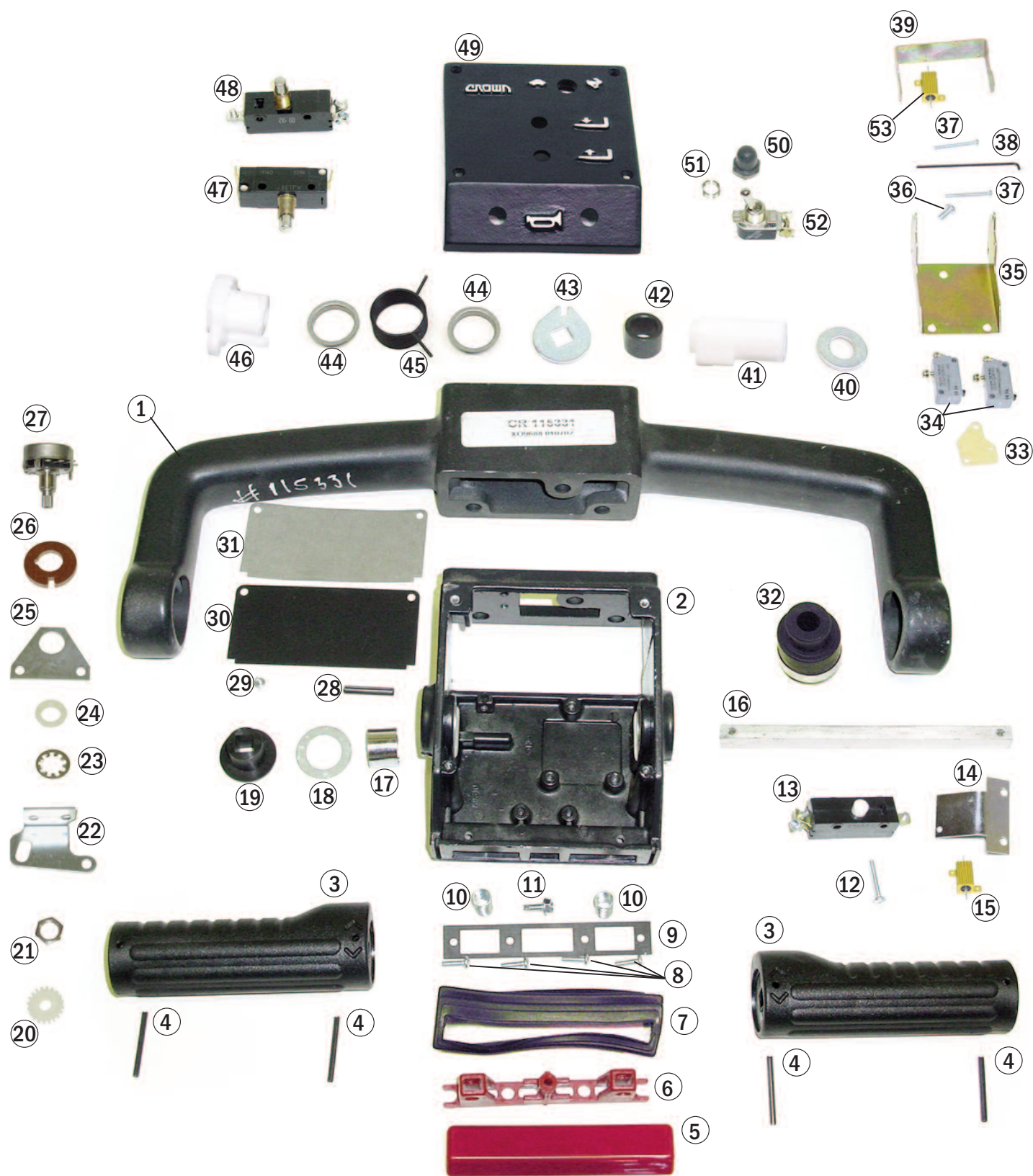
Transistor Control Pod



Transistor Control Pod

Item	Part No.	Description	Item	Part No.	Description
1	CR 089341	Yoke	28	CR 087144	Cover
2	CR 089317	Pod	29	CR 114003	Insulator
3	CR 115675	Grip	30	CR 116329	Extension
4	CR 060000-108	Roll pin	31	CR 089342	Spacer
5	CR 093904-001	Cap button	32	CR 089362	Switch
6	CR 089324-001	Red body button	33	CR 089336	Bracket
7	CR 088975	Bellows	34	CR 060014-006	Screw #10
8	CR 060032-035	Self tapping screw	35	CR 060011-022	Screw #4
9	CR 093068	Retainer	36	CR 089298-002	Rod
10	CR 080695	Spring	37	CR 060030-190	Flatwasher .03" thick
11	CR 060032-032	Self tapping screw	38	CR 089356	Cam
12	CR 060012-023	Screw #6	39	CR 089548	Spacer
13	CR 073375	Switch	40	CR 089514	Plate
14	CR 089521	Bar	41	CR 088611-002	Collar
15	CR 092224	Split bushing	42	CR 089360	Torsion spring
16	CR 060030-163	Flat washer	43	CR 088611-002	Collar
17	CR 089510	Bushing	44	CR 089350	Stop
18	CR 080275	Pinion	45	CR 060011-027	Screw #4
19	CR 060021-010	Nut	46	CR 060011-021	Screw #4
20	CR 089532	Bracket	47	CR 089362	Switch
21	CR 060005-010	Lockwasher	48	CR 088753-001	Cover unit
22	CR 076649-002	Insulator	49	CR 117267-002	Lower button
23	CR 089529	Plate	50	CR 117267-001	Raise button
24	CR 089549	Insulator	51	CR 117267-003	Horn button
25	CR 079019	Potentiometer, Accelerate	52	CR 117268	Switch 3rd speed
26	CR 060000-075	Roll pin	53	CR 073384	Spring
27	CR 060032-037	Self tapping screw			

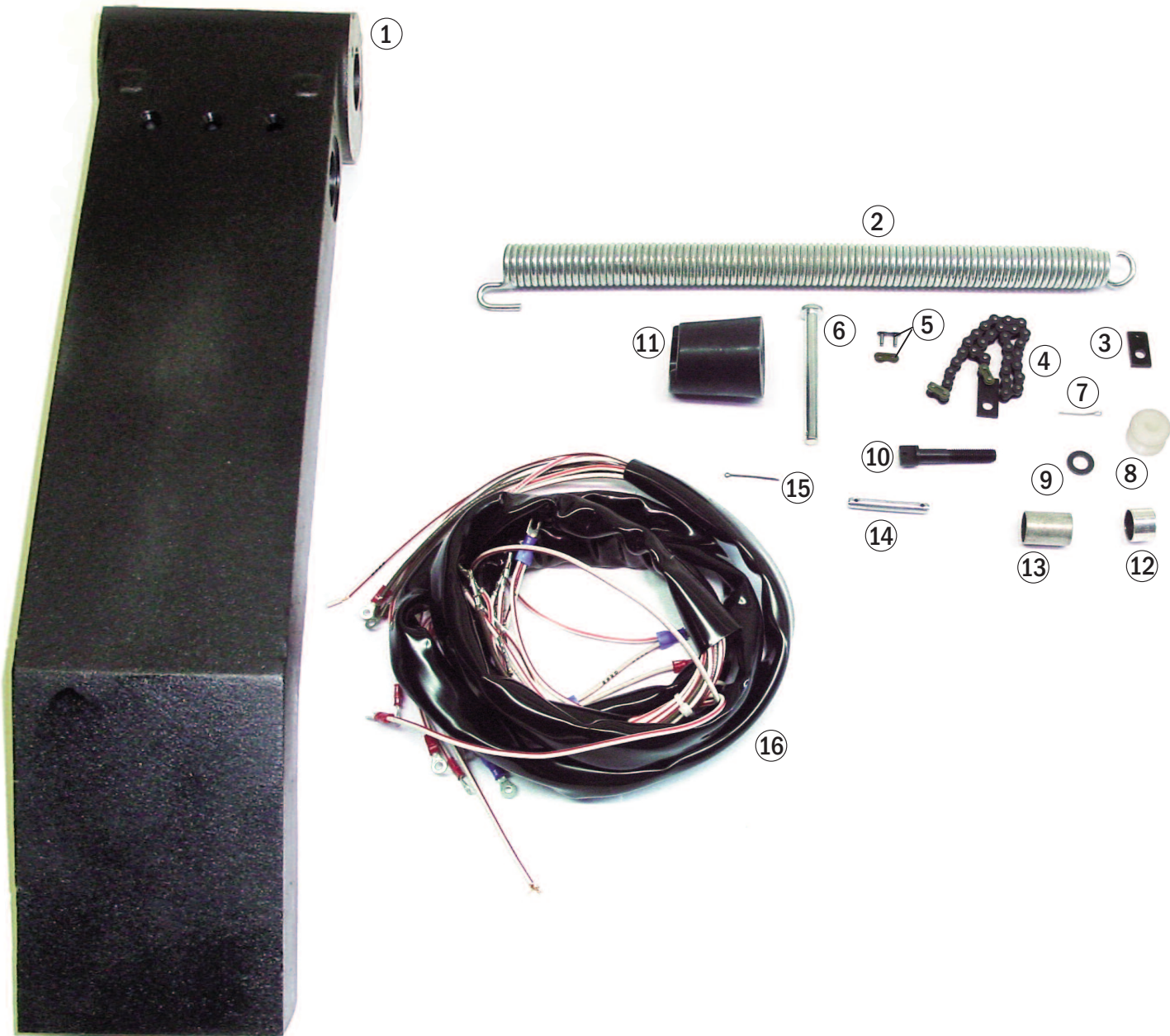
Transistor - Freezer Corrosion



Transistor - Freezer Corrosion

Item	Part No.	Description	Item	Part No.	Description
1	CR 089341	Yoke	28	CR 060000-075	Roll pin
2	CR 089317	Pod	29	CR 060032-037	Self tapping screw
3	CR 115675	Grip	30	CR 087144	Cover
4	CR 060000-108	Roll pin	31	CR 114003	Insulator
5	CR 093904-001	Cap button	32	CR 116329	Extension
6	CR 089324-001	Red button body	33	CR 089342	Spacer
7	CR 088975	Bellow	34	CR 118901	Switch
8	CR 060032-035	Self tapping screw	35	CR 089336	Bracket
9	CR 093068	Retainer	36	CR 060014-006	Screw #10
10	CR 080695	Spring	37	CR 060011-021	Screw #4
11	CR 060032-032	Self tapping screw	38	CR 089298-002	Rod
12	CR 060012-023	Screw #6	39	CR 093492-001	Bracket
13	CR 073375	Switch	40	CR 060030-190	Flatwasher
14	CR 93887	Bracket mounting	41	CR 089356	Cam
15	CR 062033-013	Resistor	42	CR 089548	Spacer
16	CR 089521	Bar	43	CR 089514	Plate
17	CR 092224	Split bushing	44	CR 088611-002	Collar
18	CR 060030-163	Flatwasher	45	CR 089360	Torsion spring
19	CR 089510	Bushing	46	CR 089509	Stop
20	CR 080275	Pinion	47	CR 101589	Switch horn
21	CR 060021-010	Nut	48	CR 078879	Switch, lower and raise
22	CR 089532	Bracket	49	CR 102525-001	Cover
23	CR 060005-010	Lockwasher	50	CR 075585	Seal
24	CR 076649-002	Insulator	51	CR 077635	Adaptor
25	CR 089529	Plate	52	CR 077633	Toggle switch
26	CR 089549	Insulator	53	CR 062033-013	Resistor
27	CR 079019	Potentiometer			

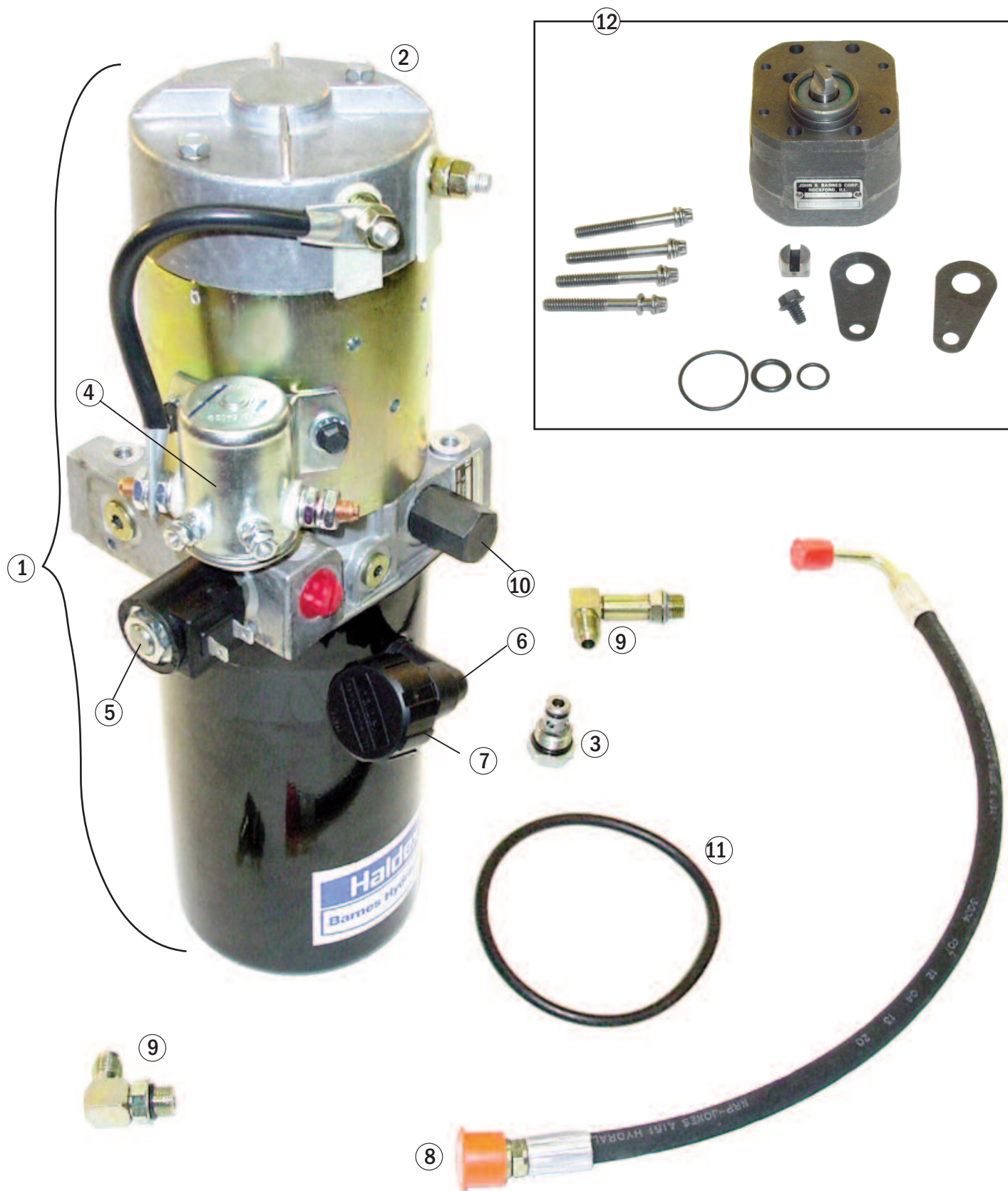
Control Arm and Wiring Harness



Control Arm and Wiring Harness

Item	Part No.	Description	Application
1	CR 043222	Tiller arm	
2	CR 042548	Spring	
3	CR 042171	Link	
4	CR 042552	Chain	
5	CR 042553	Connecting link	
6	CR 043251	Pin	
7	CR 050001-004	Cotter pin	
8	CR 042173	Pully	
9	CR 050009-018	Flat washer	
10	CR 042054-002	Stud	
11	CR 042372	Poly stop	
12	CR 042053-001	Bushing	
13	CR 065007-082	Bushing	
14	CR 111401	Pin	
15	CR 050001-011	Cotter pin	
16	CR 116847	Wiring harness	

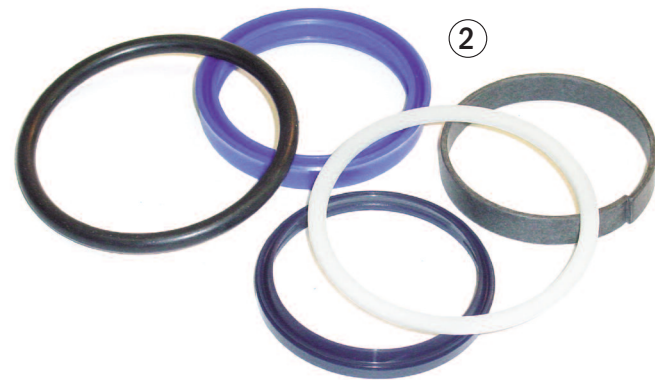
Hydraulic - Pump and Motor Assembly



Hydraulic - Pump and Motor Assembly

Item	Part No.	Description	Application	List Price	Net Price
1	CR 116591	Pump and motor assembly			
2	CR 117492	Motor - Generic, 24V			
	CR 116835	Brush holder	OEM motor		
	CR 103255	Brush spring	OEM motor		
	CR 116832	Brush set	OEM motor		
3	CR 84339	Check valve			
4	CR 084343	Starter switch			
5	CR 84344-001	Solenoid cartridge	Valve - 3way, 24V		
6	CR 064013-001	Breather elbow			
7	CR 070550	Breather			
8	CR 064162-42	Hose			
9	CR 64061-002	Elbow fitting, 90°			
10	CR 117080	Relief valve Kit			
11	CR 084316	O-Ring			
12	CR 094544	Pump assembly			

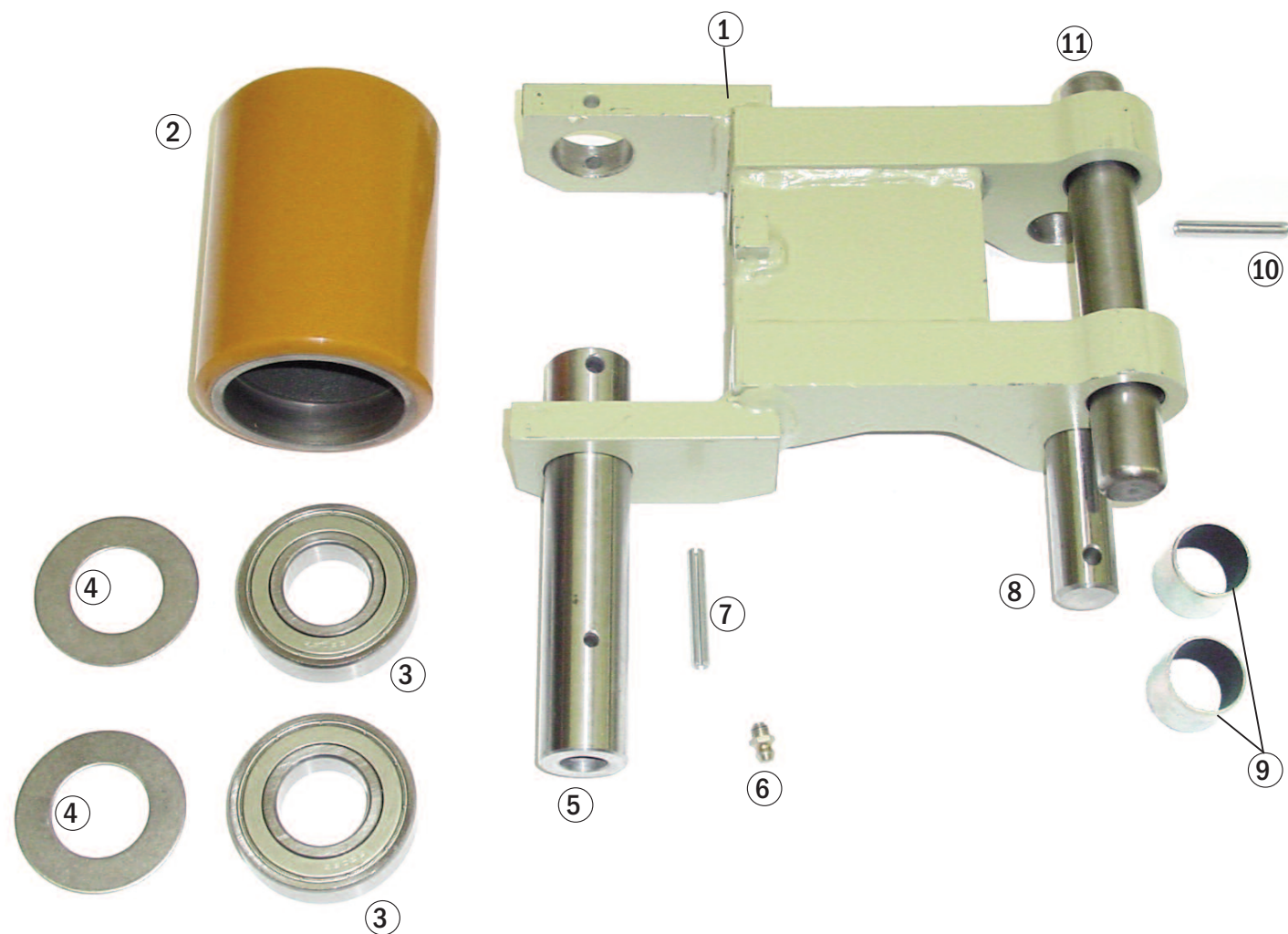
Hydraulic - Lift Cylinder Assembly



Hydraulic - Lift Cylinder Assembly

Item	Part No.	Description	Application
1	CR 42147	Cylinder assembly	
2	CR 42249	Seal kit	

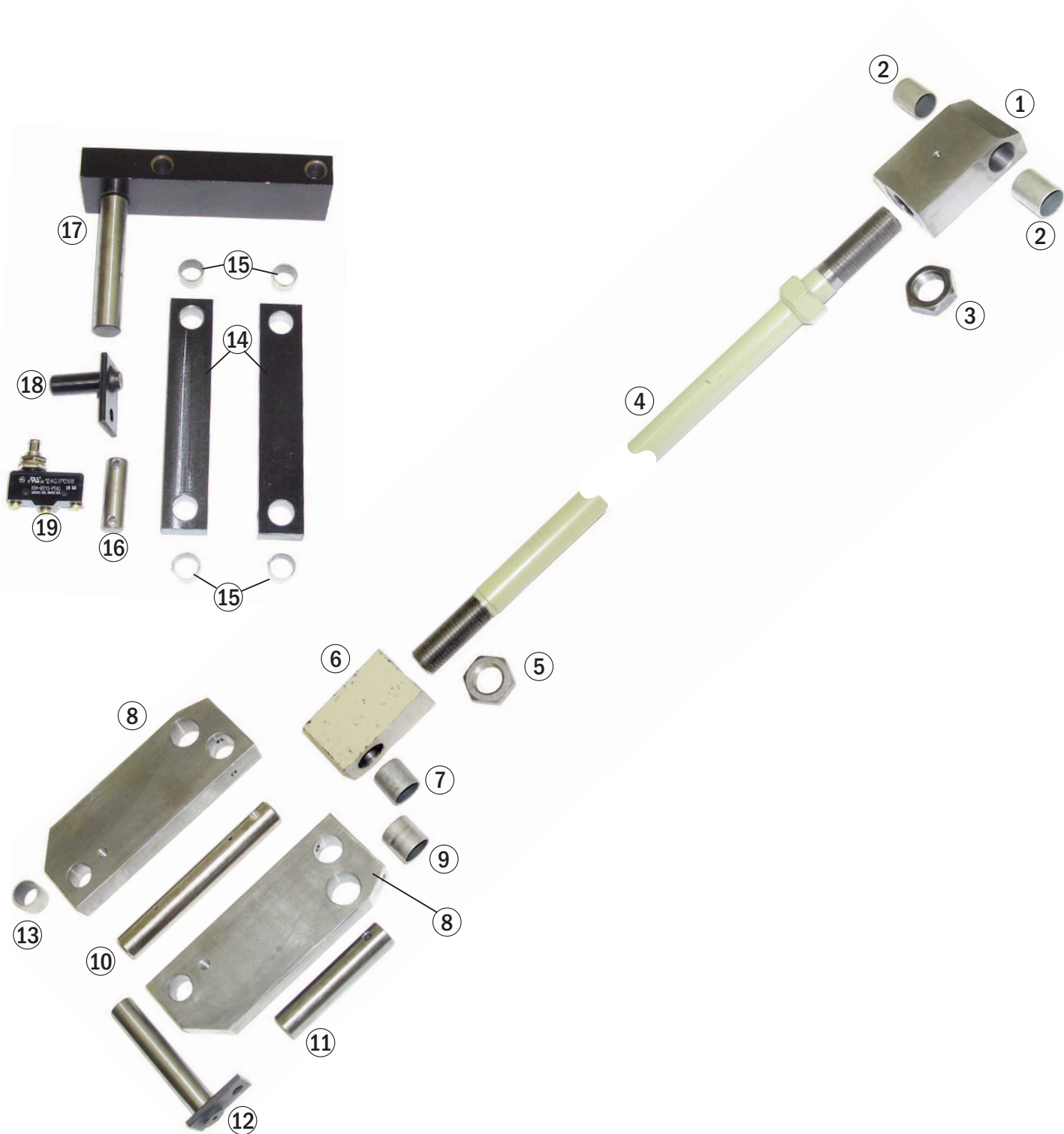
Frame & Undercarriage - Riser Assembly



Frame & Undercarriage - Riser Assembly

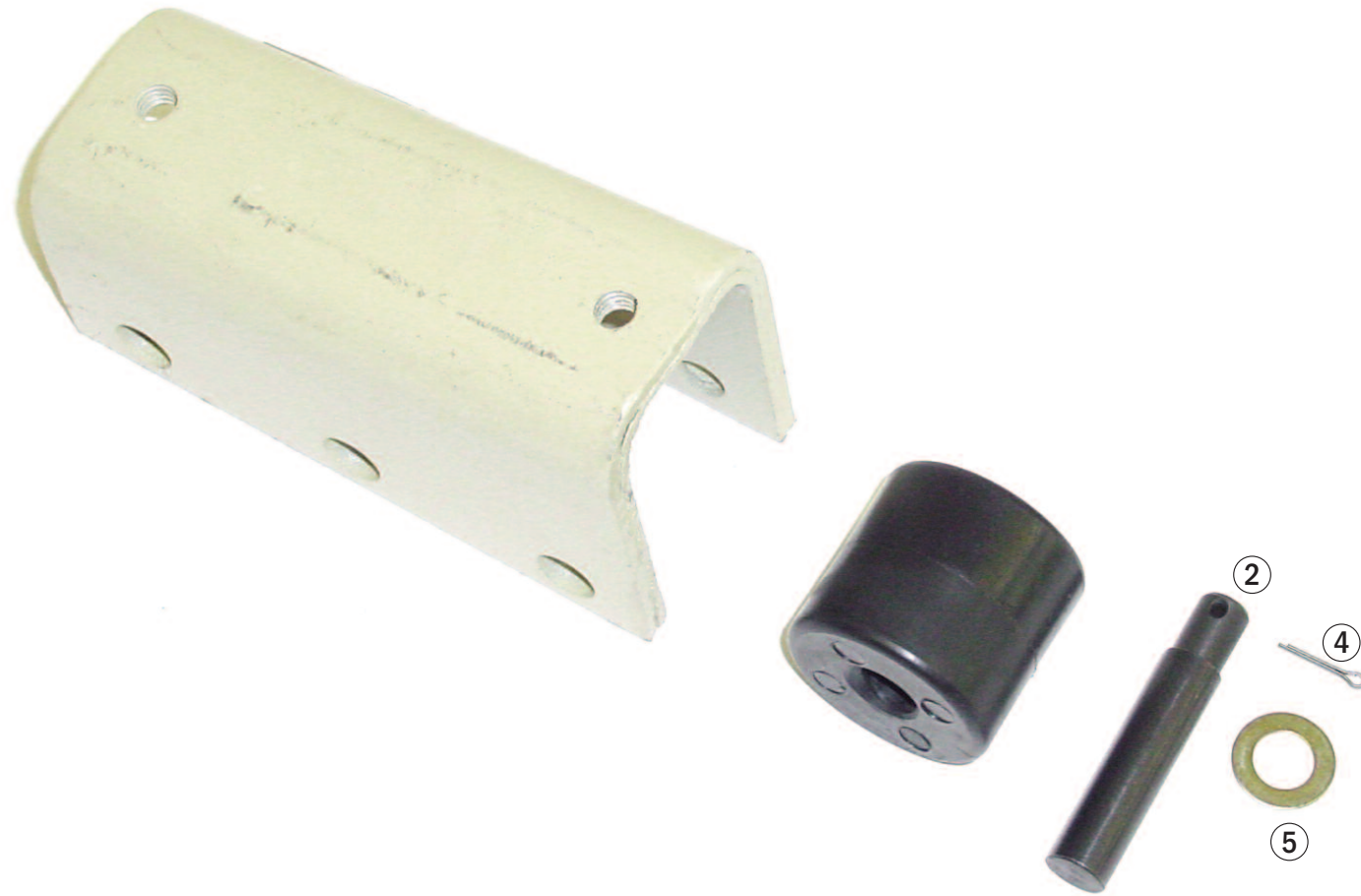
Item	Part No.	Description	Application
1	CR 42198	Riser	
2	CR 083970	Load wheel	
	GW 9139	Poly load wheel	Scotch 95-A
	GW 9139-A	Poly load wheel assembly	incl. bearings
(for a complete list of wheel options please refer to page 4-5)			
3	CR 065081-025	Bearing	6206Z, 30mm
4	CR 084082	Spacer	
5	CR 042203	Axle	
	CR 042519	Axle	Freezer/corrosion
6	CR 054011-006	Lube fitting	
7	CR 050000-026	Roll pin	
8	CR 042213	Shaft	
	CR 042521	Shaft	Freezer/corrosion
9	CR 042053-004	Bushing	
10	CR 050000-026	Roll pin	
11	CR 042214	Shaft	

Frame & Undercarriage - Lift Linkage



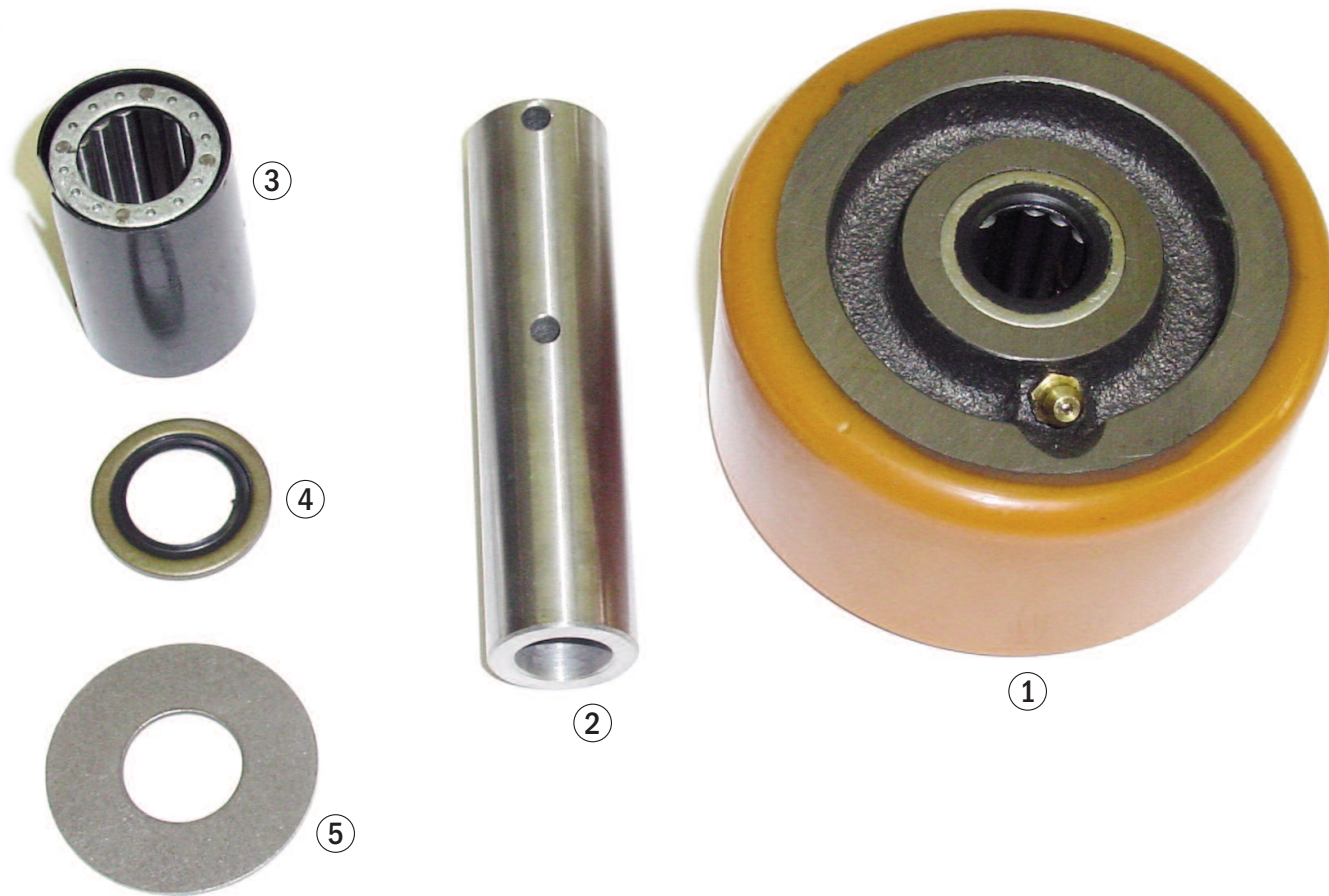
Frame & Undercarriage - Lift Linkage

Item	Part No.	Description	Application
1	CR 042139	Tension bar end	
2	CR 042053-009	Bushing	
3	CR 042132	Hex nut - right hand	
4	CR 042135-007	Tension bar 24" (610mm)	single wheel, 36" forks
	CR 042135-008	Tension bar 30.25" (770mm)	single wheel, 42" forks
	CR 042135-010	Tension bar 36" (915mm)	single wheel, 48" forks
5	CR 042138	Hex nut - left hand	
6	CR 042140	Tension bar end	
7	CR 042053-008	Bushing	
8	CR 042189-002	Link	left or right
	CR 042189-001	Link	left or right
9	CR 042053-008	Bushing	
10	CR 042190	Shaft	
	CR 042516	Shaft	Freezer/corrosion
11	CR 042215	Shaft	
	CR 042523	Shaft	Freezer/corrosion
12	CR 042192	Shaft	
	CR 042517	Shaft	Freezer/corrosion
13	CR 042053-003	Bushing	
14	CR 043248	Link	left or right
	CR 042184-001	Link	left or right
15	CR 042053-007	Bushing	
16	CR 042183	Shaft	left or right
	CR 042513	Shaft	Freezer/corrosion
17	CR 043350	Shaft	
	CR 043521	Shaft	Freezer/corrosion
18	CR 042185	Shaft	
	CR 042514	Shaft	Freezer/corrosion
19	CR 077656	Limit switch	

Frame & Undercarriage - Entry Brackets/Rollers**Frame & Undercarriage - Entry Brackets/Rollers**

Item	Part No.	Description	Application
1	CR 042237	Wheel bracket	
2	CR 080192	Roller	
3	CR 080191	Axle	
4	CR 060038-006	Cotter pin	
5	CR 060030-049	Flat washer	

Frame & Undercarriage - Casters



Frame & Undercarriage - Casters

Item	Part No.	Description	Application
1	CR 071894	Wheel assembly	incl. bearings
2	CR 042681	Axle	
	CR 042886	Axle	Freezer/corrosion
3	CR 073894	Roller bearing	
4	CR 073893	Bearing seal	
5	CR 060030-013	Flat washer	



888-999-7715
www.fastliftparts.com

888-999-7715
www.fastliftparts.com





888-999-7715
www.fastliftparts.com