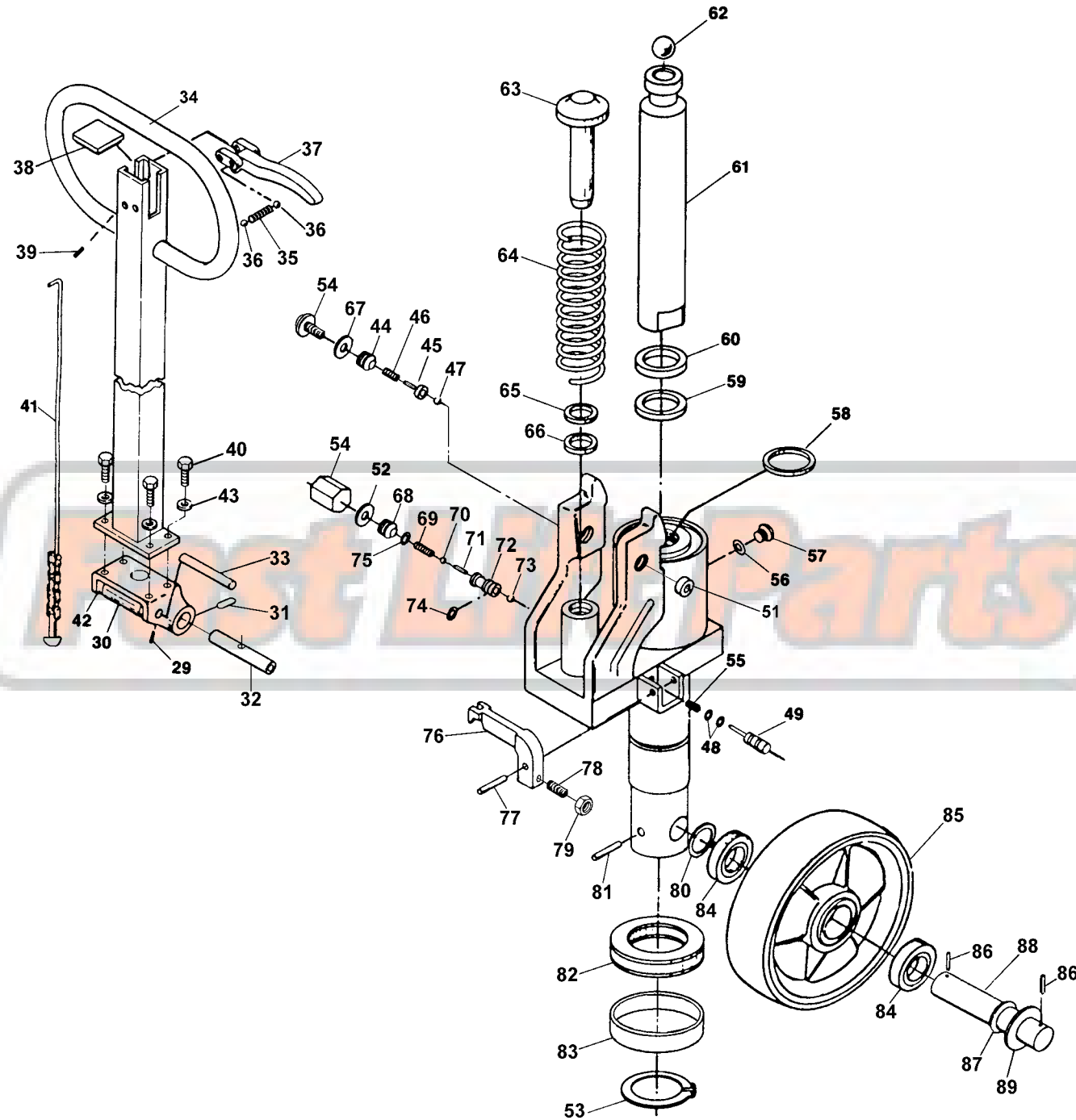


Eagleman A Hydraulic Unit



Eagleman A Hydraulic Unit

Item	Part No.	Description
29	A129	Pin
30	A130	Roller
31	A131	Roll Pin
32	A132	Handle Axle
33	A133	Roller Pin
34	A134	Handle Frame
	A194	Handle Assembly
35	A135	Spring
36	A136	Ball
37	A137	Control Lever
38	A138	Cap
39	A139	Roll Pin
40	A140	Bolt
41	A141	Rod and Chain (Orange Jack)
	A141-New	Rod and Chain (Grey Jack)
42	A142	Bracket
43	A143	Lock Washer
44	C A144	Plug
45	C A145	Overload Valve
46	C A146	Spring
47	C A147	Ball
48	A148	O-Ring
49	A149	Release Valve
50	A150	Nut
51	A151	Bushing
52	B A152	Washer
53	A153	Snap Ring
54	A154	Plug Bolt
55	A155	Spring
56	A156	O-Ring
57	A157	Filler Screw
58	A A158	Top Seal
59	A A159	Bottom Seal
60	A A160	Wiper
61	A161	Lift Piston
62	A162	Ball
63	A163	Piston
64	A164	Spring
65	A A165	Wiper

Item	Part No.	Description
66	A A166	Seal
67	C A167	O-Ring
68	B A168	Plug Bolt
69	B A169	Spring
70	B A170	Ball
71	B A171	Pin
72	B A172	Valve
73	B A173	Ball
74	B A174	O-Ring
75	B A175	O-Ring
76	A176	Release Valve Lever
77	A177	Roll Pin
78	A178	Adjust Screw
79	A179	Lock Nut
80	A180	Washer
81	A181	Roll Pin
82	A182	Thrust Bearing
83	A183	Bearing Holder
84	A184	Bearing
85	A185-A	Steer Wheel Assembly, Red Ultra Poly On Aluminum Hub W/ Bearings, 8" Diameter
	A185-B	Steer Wheel Assembly, Poly On Nylon Hub W/ Bearings, 8" Diameter
	A185-C	Steer Wheel Assembly, Nylon W/ Bearings, 8" Diameter
	A185-D	Steer Wheel Assembly, Steel W/ Bearings, 8" Diameter
86	A186	Roll Pin
87	A187	Washer
88	A188	Steer Wheel Axle
89	A189	Washer
KITS	A A191	Seal Kit
KITS	B A192	Valve Kit
KITS	C A193	Overload Kit
	HU EA A195	Rebuilt Hydraulic Unit - Exchange