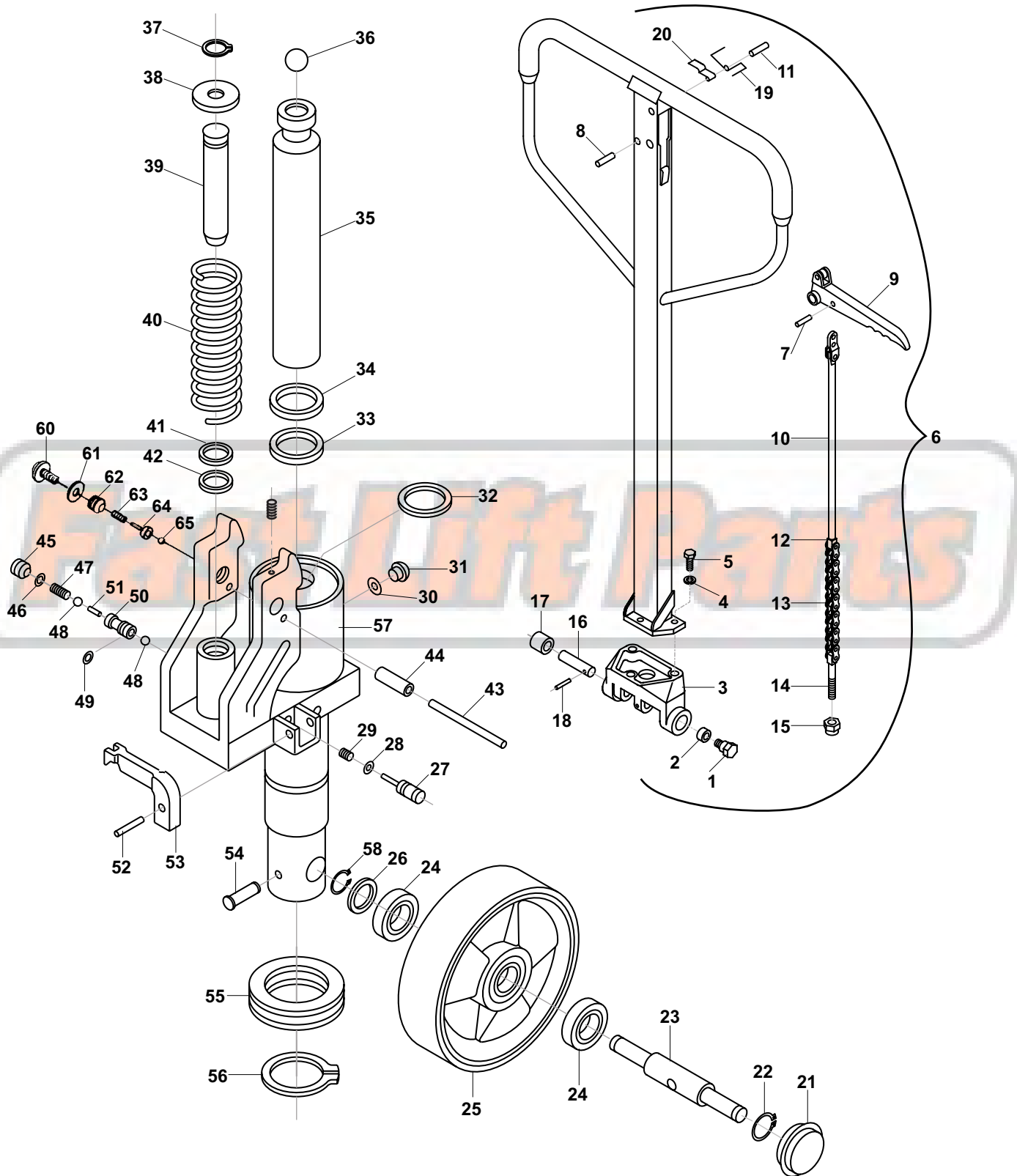


# Dayton 3KR84 Hydraulic Unit



# Dayton 3KR84 Hydraulic Unit

Item	Part No.	Description
1	PM-1HB	Shoulder Bolt
2	PM-2HB	Bushing
3	PM-3HB	Handle Bracket
4	PM-4HB	Lock Washer
5	PM-5HB	Bolt
6	PM-6HB	Handle Frame
	PM-HCA	Handle Assembly
7	PM-7HB	Roll Pin
8	PM-8HB	Roll Pin
9	PM-9HB	Control Lever
	PM-CLK	Control Linkage Assembly, Includes Items 7,9,10, 12-15
10	PM-11HB	Control Rod
11	PM-12HB	Roll Pin
12		Pin, Chain Link
13	PM-14HB	Chain
14	PM-15HB	Ajustment Pin
15	PM-16HB	Ajustment Nut
16	PM-17HB	Pin, Pressure Roller
17	PM-18HB	Pressure Roller
18	PM-19HB	Roll Pin
19	PM-20HB	Spring
20	PM-21HB	Spring Plate
21	PM-1P	Hub Cap
22	PM-2P	Snap Ring
23	PM-3P	Axle
24	PM-4P	Bearing
25	PM-5P	Steer Wheel Assembly, Black Poly on Nylon Hub, W/Bearings
26	PM-6P	Washer
27	PM-7P	Release Pin
28	A PM-8P	O-ring
29	PM-9P	Spring
30	A PM-10P	Nylon Washer
31	PM-11P	Srew Plug
32	A PM-12P	U-cup

Item	Part No.	Description
33	A PM-13P	U-cup
34	A PM-14P	Wiper
35	PM-15P	Lift Ram
36	PM-16P	Ball
37	PM-17P	Snap Ring
38	PM-18P	Spring Cap
39	PM-19P	Pump Piston
40	PM-20P	Spring
41	A PM-21P	Wiper
42	A PM-22P	U-cup
43	PM-23P	Roll Pin
44	PM-24P	Chain Roller
45	PM-25P	Valve Plug
46	A PM-26P	O-ring
47	PM-27P	Spring
48	PM-28P	Valve Ball
49	A PM-29P	O-ring
50	PM-30P	Ball
51	PM-31P	Pin
52	PM-32P	Roll Pin
53	PM-33P	Release Lever
54	PM-34P	Pivot Pin
55	PM-35P	Thrust Bearing
56	PM-36P	Snap Ring
57	PM-37P	Hydraulic Pump Assembly, Rebuilt
58	PM-38P	Snap Ring
59	PM-39P	Set Screw
60	PM-41P	Adjustment Bolt
61	PM-42P	Overload Spring
62	PM-43P	Plunger
63	PM-44P	Check Ball
64	PM-45P	Plug Bolt
65	PM-46P	O-ring
Kit A	PM-SK	Seal Kit