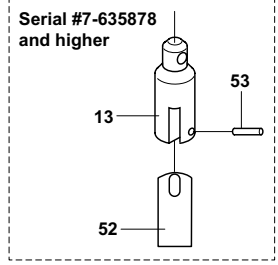
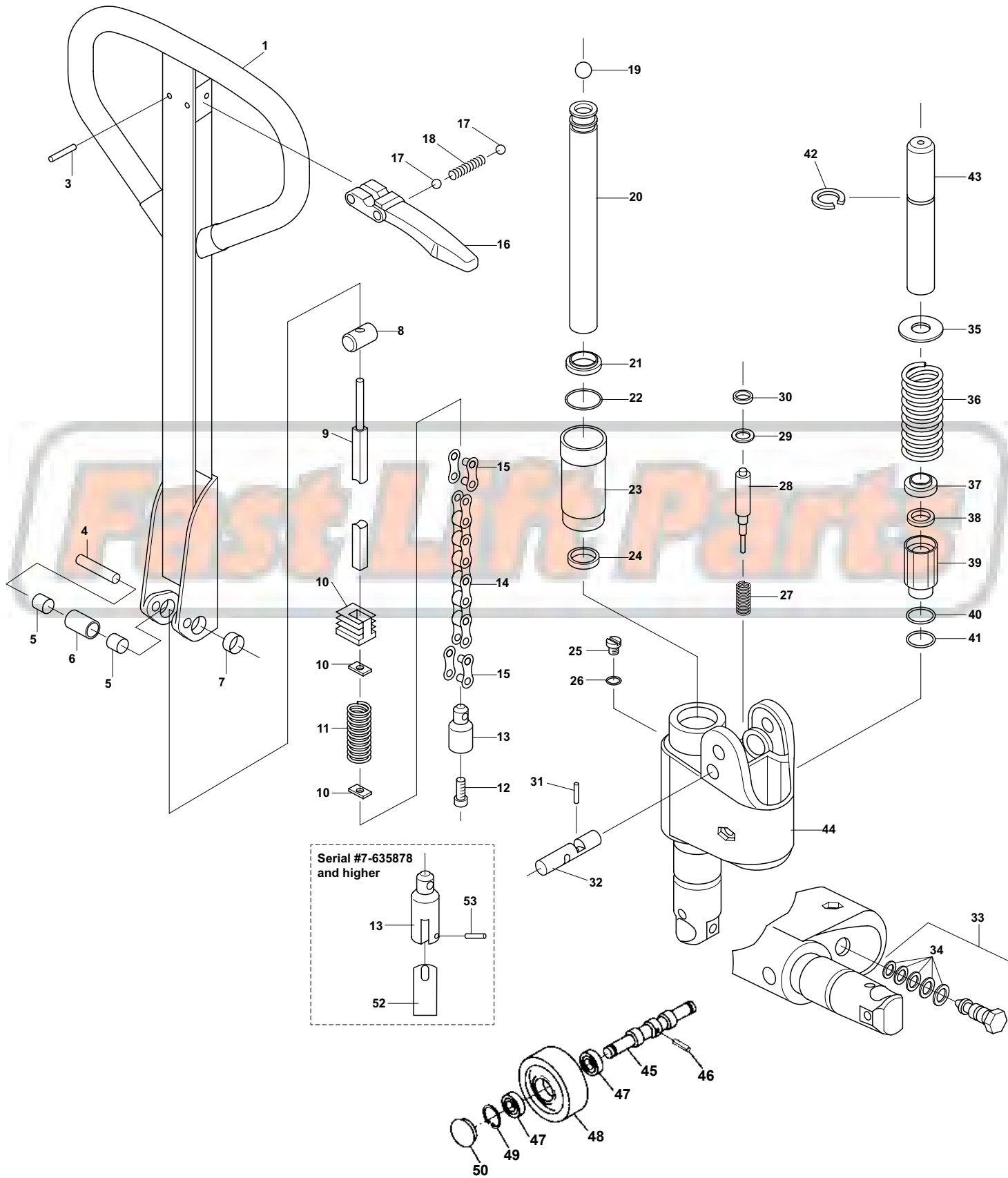


Crown Newer PTH50 Hydraulic Unit

Serial #7-512501 and Higher



Crown Newer PTH50 Hydraulic Unit

Serial #7-512501 and Higher

| Item | Part No. | Description |
|------|---------------|--|
| 1 | 44521-012 | Handle Assembly (Includes Items 3-18) Serial #7-512501 - 7-635877 |
| | 144546-012 | Handle Assembly (Includes Items 3-18, 52-53) Serial #7-635878 & Higher |
| 3 | 50000-012 | Roll Pin |
| 4 | 46235 | Roller Axle |
| 5 | 55084-001 | Bushing |
| 6 | 46236 | Roller |
| 7 | 55084-003 | Bushing |
| 8 | 44531 | Barrel Nut |
| 9 | 44527 | Control Rod |
| KITS | 144545 | Control Rod Assembly (Includes Items 9, 13-15, 52, 53) |
| 10 | 44586 | Insert |
| 11 | 79918 | Spring |
| 12 | 50005-002 | Screw |
| 13 | 44535 | Chain Connector Serial #7-512501 - 7-635877 |
| | 144081 | Chain Connector, Serial #7-635878 & Higher |
| 14 | 46128 | Chain Assembly |
| 15 | 46127 | Master Link |
| 16 | 44600 | Release Lever |
| 17 | 55001-007 | Ball |
| 18 | 41292 | Spring |
| 19 | 55001-010 | Ball |
| 20 | 46234 | Ram |
| 21 | A B 54001-008 | Scraper |
| 22 | A B 50012-025 | Snap Ring |
| 23 | 41165 | Ram Cylinder |
| 24 | A B 54015-001 | U-Cup |
| 25 | 41181 | Filler Plug |
| 26 | A B 50011-010 | Washer |
| 27 | A B 44456 | Spring |
| 28 | B 816819 | Control Piston |
| 29 | A B 818263 | O-Ring |
| 30 | A B 818261 | Wiper |
| 31 | A B 50000-070 | Roll Pin |
| 32 | 816818 | Pin, Serial #7-512501 - 7-635877 |
| | 144080 | Camshaft, Serial #7-635878 & Higher |
| 33 | B 818252 | Pump Cartridge Assembly |
| 34 | A B 819180 | Kit: 3 O-Rings & 2 Backsprings |
| 35 | 44452 | Washer |
| 36 | 44570 | Spring |
| 37 | A B 54001-009 | Scraper |

| Item | Part No. | Description |
|--------|---------------|--|
| 38 | A B 54015-005 | U-Cup |
| 39 | 816815 | Pump Cylinder |
| 40 | A B 818262 | Back-up Ring |
| 41 | A B 818260 | O-Ring |
| 42 | 50012-033 | Snap Ring |
| 43 | B 816816 | Pump Piston |
| 44 | 816814-001 | Pump Assembly |
| 45 | 44499 | Steer Wheel Axle |
| 46 | 50000-039 | Roll Pin |
| 47 | 065081-020 | Bearing |
| 48 | 44495-001-HD | Steer Wheel Assembly, Red Ultra-Poly On Aluminum Hub W/ Bearings |
| | 44495-001-ST | Steer Wheel Assembly, Black Poly On Nylon Hub W/ Bearings |
| | 44495-002 | Steer Wheel Assembly, Nylon W/ Bearings |
| | 44495-003 | Steer Wheel Assembly, Steel W/ Bearings |
| | GWK-PTH50-CK | Complete Wheel Kit, (2) Ultra-Poly Load Roller Assemblies (70D), (2) Poly Steer Wheel Assemblies, W/ Bearings, Axles & Fasteners |
| 49 | 50012-021 | Snap Ring |
| 50 | 44437 | Hub Cap (OEM Wheel Only) |
| | 44437-1 | Hub Cap (GPS Wheel Only) |
| 52 | 144452 | Spring Stopper |
| 53 | 060106-010 | Roll Pin |
| KITS A | 819934 | Seal Kit |
| KITS B | 819934-SUPER | Super Seal Kit |
| | HU CR PTH50-1 | Hydraulic Unit Serial #7-512501 - 7-635877 |
| | HU CR PTH50-2 | Hydraulic Unit Serial #7-635878 & Higher |

Complete Wheel Kit

