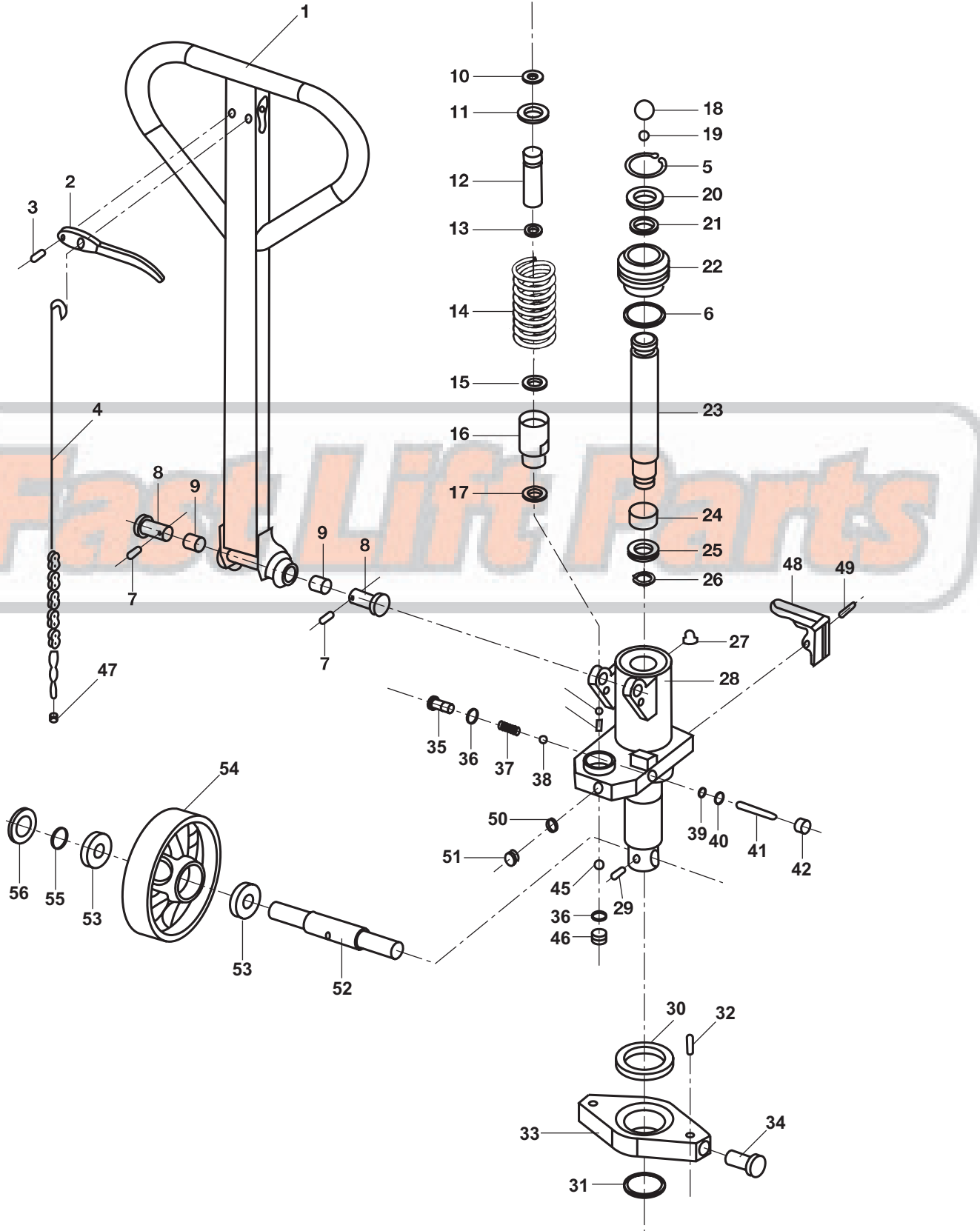


Blue Giant MT-50 Hydraulic Unit



Blue Giant MT-50 Hydraulic Unit

| Item | Part No. | Description |
|------|--------------|--|
| 1 | 906-5006 | Handle Assembly |
| 2 | 904-0149 | Release Lever |
| 3 | 906-0012 | Roll Pin |
| 4 | 904-0151-NEW | Control Rod, Complete W/ Chain |
| | 904-0151-OLD | Control Rod, Complete W/ Chain (27-1/2" Rod, 35-1/4" Overall) |
| 5 | 906-0025 | Locking Ring |
| 6 | A 906-0002 | O-Ring |
| 7 | 906-0039 | Roll Pin |
| 8 | 906-0054 | Handle Pin |
| 9 | 906-0057 | Bushing |
| 10 | 906-0072 | Circlip |
| 11 | 906-0027 | Washer |
| 12 | 906-0065 | Pump Piston |
| 13 | A 906-0026 | U-Cup |
| 14 | 906-0070 | Spring |
| 15 | A 906-0006 | Oil Scraper |
| 16 | 906-0059 | Pump Cylinder |
| 17 | A 906-0007 | Copper Washer |
| 18 | 018-523-99 | Ball |
| 19 | 906-1000 | Ball |
| 20 | A 906-0005 | Oil Scraper |
| 21 | A 906-0003 | O-Ring |
| 22 | 906-0058 | Top Nut |
| 23 | 906-0081 | Lifting Piston |
| 24 | 906-0000 | Metal Bushing |
| 25 | A 906-0051 | U-Cup |
| 26 | 906-0056 | Snap Ring |
| 27 | 906-0037 | Oil Plug |
| 28 | 906-0035 | Pump Housing |
| 29 | 906-0071 | Roll Pin |
| 30 | 906-0089 | Thrust Bearing |
| 31 | 906-0093 | Circlip |

| Item | Part No. | Description |
|------|---------------|--|
| 32 | 906-0049 | Roll Pin |
| 33 | 906-0097 | Traverse |
| 34 | 906-0046 | Shoulder Pin |
| 35 | 906-0062 | Collar Screw - Long |
| 36 | A 906-0028 | Copper Washer |
| 37 | 906-0036 | Valve Spring |
| 38 | 906-0066 | Ball |
| 39 | A 906-0011 | Quad Ring |
| 40 | A 906-0009 | U-Cup |
| 41 | 906-0061 | Release Pin |
| 42 | 906-0060 | Valve Screw |
| 43 | 906-0031 | Ball |
| 44 | 906-0032 | Valve Spring |
| 45 | 906-0067 | Ball |
| 46 | 906-0033 | Collar Screw - Short |
| 47 | 906-0073 | Adjusting Nut |
| 48 | 906-0080 | Lowering Valve Arm |
| 49 | 906-0008 | Roll Pin |
| 50 | A 906-0030 | Copper Washer |
| 51 | 906-0029 | Screw |
| 52 | 906-0077 | Steer Wheel Axle |
| 53 | 906-0075 | Bearing |
| 54 | 906-0078-A-HD | Steer Wheel Assembly, Red Ultra-Poly On Aluminum Hub W/ Bearings |
| | 906-0078-A-ST | Steer Wheel Assembly, Black Poly On Nylon Hub W/ Bearings |
| | 904-0154 | Steer Wheel Assembly, Nylon W/ Bearings |
| 55 | 906-0019 | Snap Ring |
| 56 | 906-0055 | Hub Cap |
| KITS | A 906-0102 | Complete Seal Kit |
| | HU BG MT 50 | Rebuilt Hydraulic Unit - Exchange |