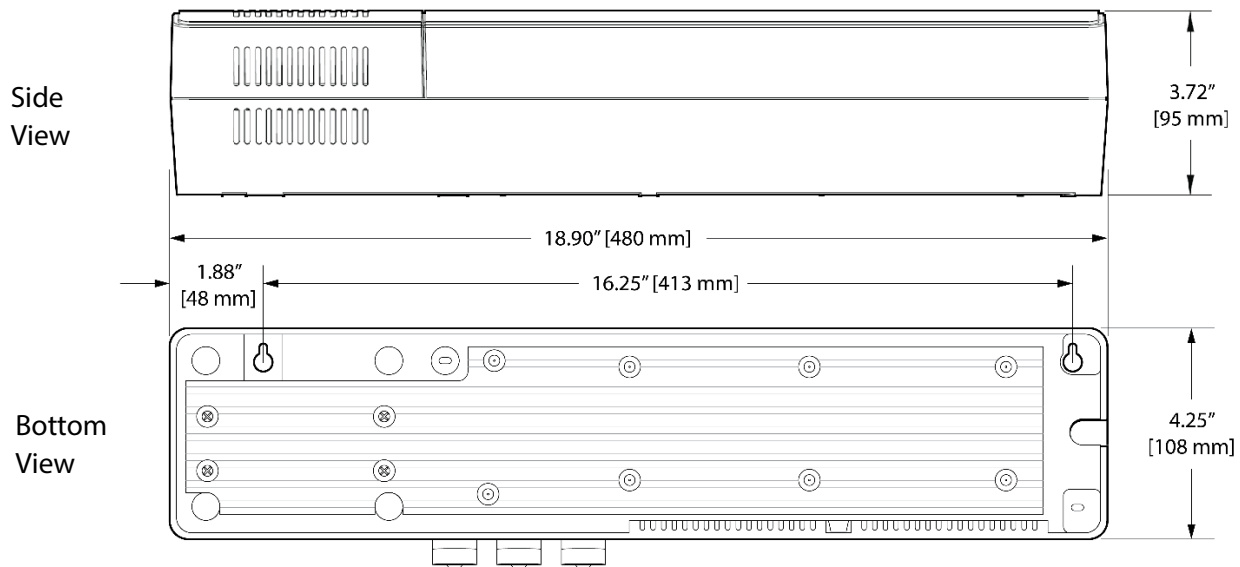


AKL08RF – 8-Zone Valve Relay Controller

Job or Customer:			
Location:			
Engineer:			
Contractor:			
SALUS Rep.:			
Submitted by:		Date:	
Approved by:		Date:	

The SALUS AKL08RF Wireless Relay Controller accepts inputs from up to 8 wireless thermostats to control up to 8 zones of radiant heating (32 zone actuators or 8 zone valves). Voltage-free connections are available to provide boiler heat demand and system pump operation. Dry-contact inputs allow for dew-point sensing and heat/cool changeover. Jumpers to set boiler off delay or NC/NO valve actuators. An optional external antenna can be used to enhance signals. The AKL08RF integrates with your SALUS wireless communication system, allowing remote monitoring and control using the SALUS Smart Home application on your mobile device or computer.



Features:

- Wireless communication with thermostats.
- Remote monitoring with SALUS Smart Home App.
- 8 zones – 4 actuators or 1 zone valve per zone (total load 3.3 Amps).
- Select normally open or normally closed zone valves.
- Dry contact inputs for dewpoint sensing and heat/cool changeover.
- Dry contact outputs for boiler or circulator pump control.
- Pump ON/OFF delay of 3 minutes (fixed).
- Boiler ON delay 3 minutes (fixed), OFF delay jumper selectable 0 or 15 minutes.
- USB Port for AC10RF Coordinator (sold separately) for stand-alone networking.

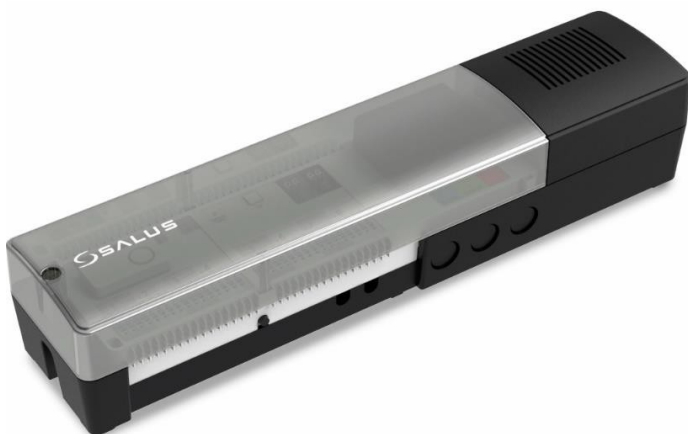
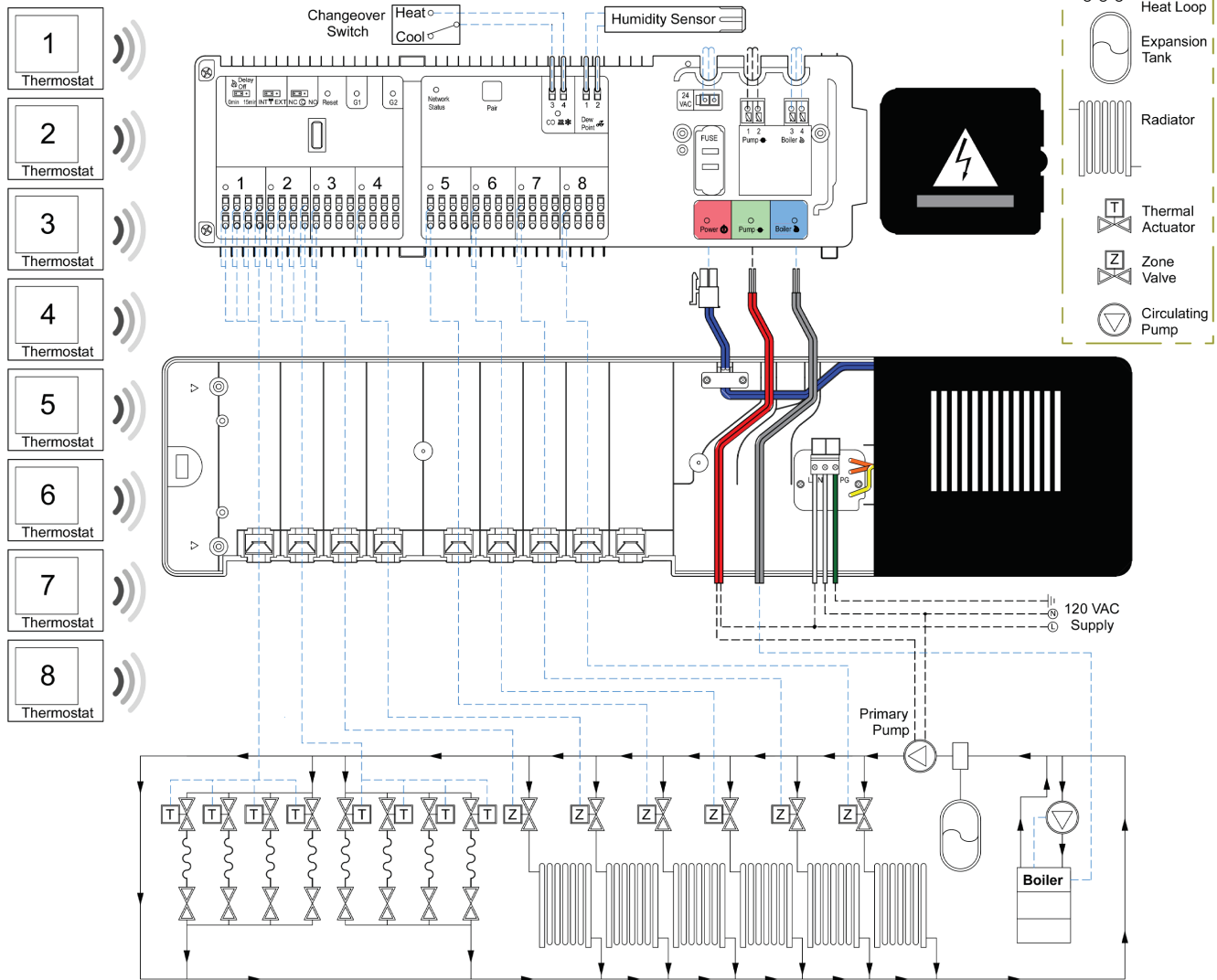
Specifications: AKL08RF 8-Zone Valve Relay Controller

Packaging Dimensions & Weight	Length	Width	Height	Weight
	21.31"	6.85"	6.45"	8.8 lbs
	54.1 cm	17.4 cm	16.4 cm	3.91 kg
Materials	PC/ABS Plastic			
Environmental	Operation: 32-122°F (0-50°C)			
	Storage: 10-140°F (-10-60°C)			
	Humidity: < 95% RH Non-condensing			
Electrical	Power Input: 120VAC (+/- 10%) /60 Hz			
	Zone Output: 24 VAC/60Hz (80VA total load)			
	Pump Output: 24-120VAC 5 Amp (1/3 HP) max.			
	Boiler Output: 24-120VAC 5 Amp max.			
Wireless Protocol	802.15.4 (2.54 GHz), Zigbee based protocol 300 feet (91m) through open air			
Warranty	5 year limited			
Approvals	ETL(US/CAN), Rohs, REACH, WEEE			

Note: Specifications are subject to change without notice.

AKL08RF – 8-Zone Valve Relay Controller

Application Diagram



Compatible Equipment:

- SG888ZB Gateway
- AC10RF Coordinator
- AX10RF Boiler Receiver
- AS20WRF/BRF Thermostat
- AWRT10RF Thermostat
- A30NC/NO24 Thermal Actuator
- AH2430 Auto-balancing Actuator
- A8RFA External Antenna



SALUS NORTH AMERICA, INC.

www.salusinc.com

Sales

+1 (888) 387-2587

sales@salusinc.com

Tech Support

+1 (885) 557-2587

support@salusinc.com