

Embedded Door Sensor

SS881ZB



The SALUS SS881ZB Embedded Door Sensor is a wireless sensor used to detect the opening and closing of a door. As part of the SALUS Smart Home System this sensor can prevent operation of heating and/or cooling appliances while doors are open.

- Quick and easy installations
- Tamper switch detects removal
- Monitor doors from your smartphone

SALUS NORTH AMERICA, INC.

(888) 387-2587

sales@salusinc.com

www.salusinc.com

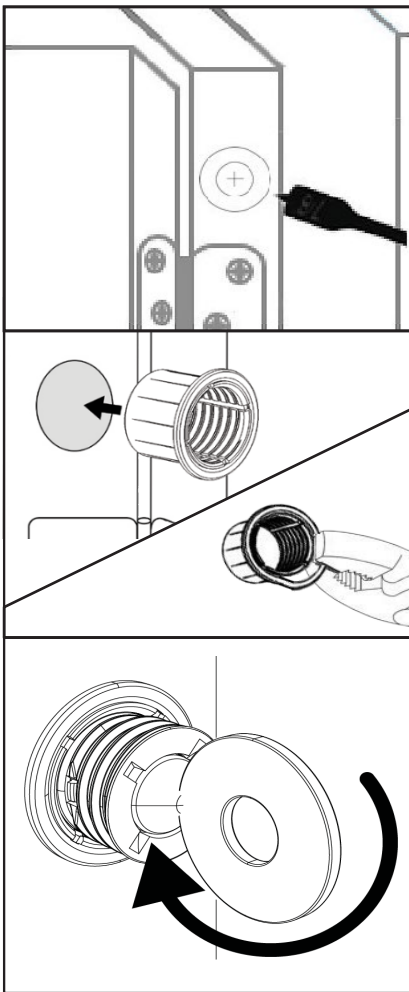
The SALUS logo features a stylized 'S' symbol followed by the word 'SALUS' in a bold, sans-serif font.

Description and Features

The SALUS SS881ZB Embedded Door Sensor detects opening and closing of doors.

- Zigbee based protocol
- Compatibility with SALUS Smart Home Application
 - Monitor door positions from your smartphone
- Quick and easy installation
 - No special tools required
 - Installs hidden from view in the door frame
- Tamper switch detects if the switch is removed

System Overview



Order Details

Optima S Thermostat		
Model	Single Unit UPC	Carton GTIN
SS881ZB	817989020109	10817989021516

Specifications

Power Supply

One CR2 3V Lithium battery
(Use only Duracell DL-CR2, GP Batteries GPCR2, Energizer EL1CR2, or Rayovac RL-CR2)

Radio

Zigbee based protocol
RF Frequency 2.40-2.48 GHz
RF Range – 1300 feet (400m) line of sight

Dimensions

Sensor Length: 2.64" (67 mm) Diameter: 0.78" (20 mm)
Sleeve Length: 0.75" (19 mm) Diameter: 1.1" (28 mm)
Weight without Battery: 0.43 oz (12 g)

Environmental

Operating: 32 to 113°F (0 to 45°C), <95% RH non-condensing
Storage: -4 to 185°F (-20 to 60°C), <95% RH non-condensing

Agency Compliance

FCC, Industry Canada

Compatible Devices

SG888ZB Gateway
SS882ZB Door / Window Sensor
SX885ZB miniSmartPlug

Warranty

5 year limited warranty

Note: Specifications are subject to change without notice

