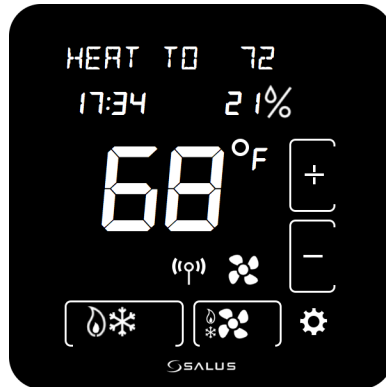




Optima S Thermostat



User Manual

For other language versions, please visit: www.salusinc.com

SAFETY INSTRUCTIONS

Please read these instructions carefully **before installing and using** the Optima S Thermostat. This manual is meant to be used as a reference guide for the installation, configuration and maintenance of your device.

- Follow all local and electricity supplier regulations regarding the installation or replacement of a thermostat. An authorized, qualified installer may be required.
 - **Do not connect any of the terminals to the 110/220 VAC supply.** The Optima S Thermostat uses two AA batteries or a 24 VAC power source.
 - **Do not** cover any of the vents on the thermostat.
 - **Do not** install this unit at an altitude of over 2000 meters.
 - **Do not** place the unit in a bathroom or area of excessive moisture.
 - **Do not** allow the unit to get wet. This device serves as a temperature control system only in dry, closed living and office spaces.
-

- **Do not** expose the unit to temperatures below 5°C or above 40°C, humidity above 80%, or pollution above level 2.
- **Do not** expose the unit to voltage fluctuations more than +/- 10%.
- **Do not** use solvents or aggressive cleaning agents. A dry, soft cloth is recommended.

The manufacturer does not accept responsibility for any damage caused by not following these instructions.

CONTENTS

<u>IN THE BOX</u>	1
<u>CONTROLS AND DISPLAY</u>	2
BUTTONS	2
INDICATORS	3
HOME SCREEN	6
<u>INSTALLING THE THERMOSTAT</u>	7
TOOLS	7
TURN OFF POWER TO HVAC SYSTEM	8
DETERMINE WIRING CONFIGURATION	8
REMOVE OLD THERMOSTAT	10
INSTALL MOUNTING PLATE	10
ATTACH WIRING	11
CHECK THE BATTERIES	12
INITIAL CONFIGURATION	12
ATTACH THERMOSTAT TO MOUNTING PLATE	14
TURN POWER BACK ON TO THE HVAC SYSTEM	14
CONFIGURE THERMOSTAT	15
<u>USING THE THERMOSTAT HOME SCREEN</u>	15

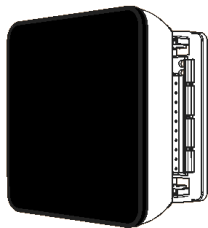
CHANGING THE SET POINT TEMPERATURE	15
HOLDING A SET POINT TEMPERATURE	16
CHANGING THE OPERATING MODE	17
TURNING ON THE FAN	18

CONFIGURING THE THERMOSTAT 18

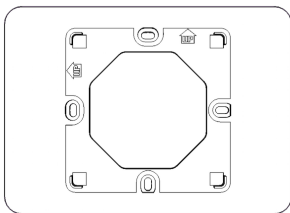
CONFIGURATION SCREENS	19
SETTINGS/FUNCTIONS	21
1. TEMPERATURE UNITS.....	21
2. BRIGHTNESS.....	21
3. DISPLAY MODE	21
4. DISPLAY ON TIME	21
5. SET POINT SPAN.....	22
6. FROST PROTECT POINT	22
7. OFFSET.....	22
8. LANGUAGE	23
9. REGION.....	23
10. EQUIPMENT TYPE	23
11. FAN CONTROL / REVERSING VALVE.....	23
12. CLOCK FORMAT*	24
13. IDENTIFY	24
14. START PAIRING.....	25

15. <i>FACTORY DEFAULT</i>	25
SPECIFICATIONS	26
TROUBLESHOOTING	27
SALUS WARRANTY	28
APPENDIX A – WIRING DIAGRAMS	30
TERMINAL DEFINITIONS	30
CONVENTIONAL SINGLE TRANSFORMER HEAT AND COOL SYSTEM	31
CONVENTIONAL TWO TRANSFORMER HEAT AND COOL SYSTEM	32
FLOOR HEATING SYSTEM	33
SINGLE TRANSFORMER HEAT PUMP SYSTEM	34
TWO TRANSFORMER HEAT PUMP SYSTEM	35
APPENDIX B – REGULATORY STATEMENTS	36
FCC STATEMENTS	36
FCC AND INDUSTRY CANADA	37
INDUSTRY CANADA	37

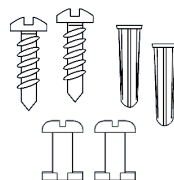
IN THE BOX



Thermostat with
Mounting Plate



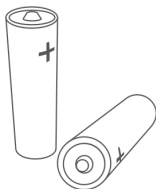
Wall Plate



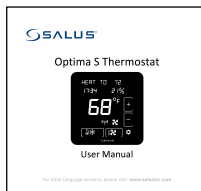
2 x Wood Screws,
2 x Wall Anchors, and
2 x Locking Pins

Heat Pump HP (Wiring label)		Gas or Electric Non-HP (Wiring label)	
R	R	RC	RC
C	C	RH	RH
L	L	C	C
Y1	Y1	Y1	Y1
Y2	Y2	Y2	Y2
W1	W1	W1	W1
O/B	O/B	W2	W2
G	G	G	G

Wire Labels



2 x AA alkaline
batteries



User Manual

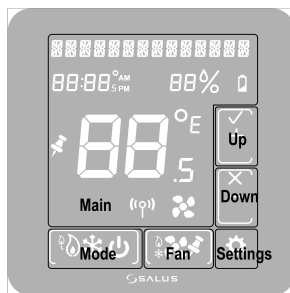


Setup
Instructions

CONTROLS AND DISPLAY

Buttons

There are six (6) button areas on the Optima S touchscreen display as shown on the right and defined below. The Reset button is a recessed button on the bottom side surface of the device, below the logo.

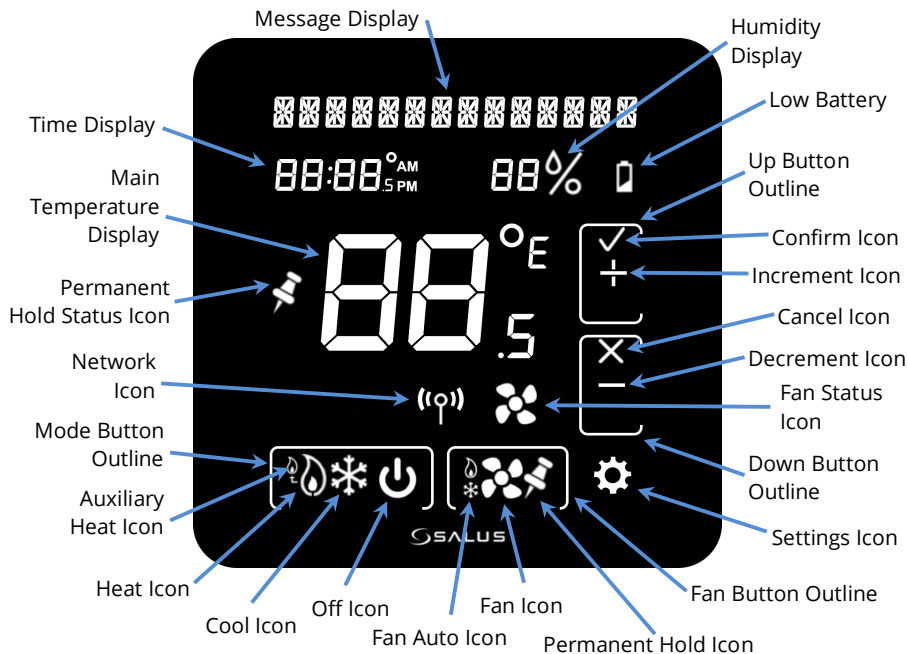









↑ Reset


Button	Definition	Home Screen	Settings Screens
Main	Home Screen button	Not used	Returns display to Home Screen
Mode	Operating mode select (Heat, Cool, Auto or Off)	Change operating mode	Not used: mode icons are displayed if needed
Fan	Fan mode select (On or Auto)	Change Fan mode or set Permanent Hold	Not used
Settings	Device settings	Enter Settings screens	Move between Settings screens
Up	Increment or confirm changes	Increase Set Point	Increment options / Confirm
Down	Decrement or cancel changes	Decrease Set Point	Decrement options / Cancel
Reset	Restore device to Home screen		

Indicators

The following indicators are available on the LCD display.



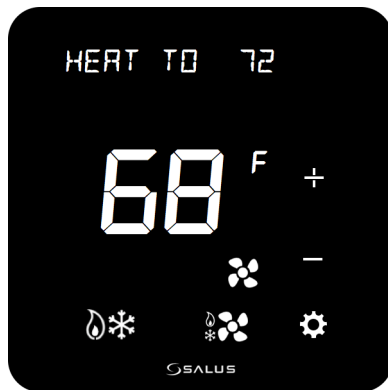
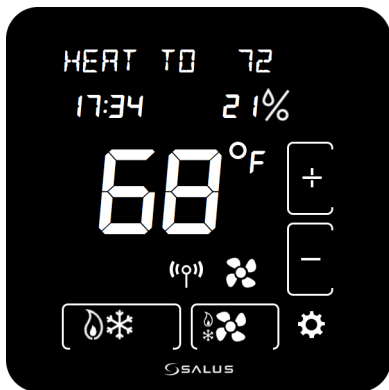
Indicator	Description	Full or Simple
Message Display	Alphanumeric display of HVAC status and labels	Simple and Full
Time Display	Displays time in 12- or 24-hour format if provided by the network	Full mode only
Main Temperature Display	Displays the room temperature or set point as required	Simple and Full
Permanent Hold Status Icon	Indicates whether Permanent Hold is active	Simple and Full
Network Icon	Indicates when the thermostat is connected to a smart home system	Full mode only
Mode Button Outline	Identifies the boundaries of the Mode button	Full mode only
Mode Icons	HVAC operating modes as follows:  Off – System is OFF  Auto – Heat or Cool as required  Cool – AC or Cooling mode  Heat – Furnace or Heating mode  EmHeat – Emergency Heat mode (Heat Pump only)	Simple and Full
Fan Icons	Fan operating modes as follows:  Auto – Fan ON while heating or cooling  On – Fan always ON	Simple and Full

Indicator	Description	Full or Simple
Permanent Hold Icon	Indicates when Permanent Hold is active	Simple and Full
Fan Button Outline	Identifies the boundaries of the Fan button	Full mode only
Settings Icon	Display initial screen for device settings	Simple and Full
Down Button Outline	Identifies the boundaries of the Down button	Full mode only
Fan Status Icon	Indicates Fan state  - Fan ON blank - Fan OFF	Simple and Full
Decrement Icon	Set device settings	Simple and Full
Cancel Icon	Select Down to decrement changes or reject changes	Simple and Full
Increment Icon	Set device settings	Simple and Full
Confirm Icon	Select Up to increment changes or confirm changes	Simple and Full
Up Button Outline	Identifies the boundaries of the UP button	Full mode only
Low Battery	Indicates when the 2 AA batteries need to be replaced	Simple and Full
Humidity	Indicates the humidity level in your home	Full mode only

Home Screen

When the device powers on, it goes into the Home Screen. Two versions of the Home screen are available for the Optima S thermostat – Simple or Full display mode.

In Simple display mode, the button outlines, and network, time and humidity displays are turned off, as shown to the right.



In Full display mode, the button outlines, network icon, humidity display, and time display (if available) can be seen on the device, as shown on the left.

INSTALLING THE THERMOSTAT

There are five basic steps to installing the thermostat:

1. Turn off power to the HVAC system.
2. Determine the wiring configuration.
3. Install new thermostat, removing old thermostat and mounting the Wall Plate if required.
4. Turn power back on to the HVAC system.
5. Configure the new thermostat.

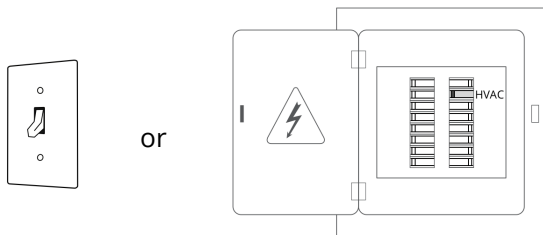
Tools

You may need the following tools to install the Optima S Thermostat:

- #1 Phillips or flathead screwdriver
 - Drill with 3/16" bit (only if you cannot mount the thermostat using the existing holes)
 - Smartphone or camera to take picture of wiring for later reference
 - Small screwdriver to disconnect wires from old terminals
 - Pencil
-

Turn Off Power to HVAC System

Locate the HVAC switch or the panel breaker and turn OFF the system.



Determine Wiring Configuration

If the Optima S Thermostat is being installed in a new system, refer to Appendix A for the proper wiring configuration and skip to the *Install Mounting Plate* section.

When replacing an existing thermostat, the goal is to replicate the wiring of the old thermostat on the Optima S Thermostat.

- Remove the old thermostat to expose the wiring terminals.
 - Take a picture of the wiring for future reference.
-

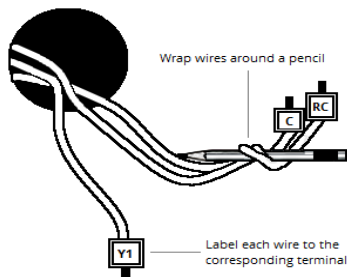
- Note the terminals attached to each wire and attach the matching label to the ends of the wires.
- If the terminals are unmarked on the old thermostat, you may need to go to the furnace / air conditioner / heat pump to determine the terminals for each wire color. Use the table below to keep track.

HP	NON-HP	Wire Color
R	R or RH	
---	RC	
C		
Y or Y1		
Y2		
AUX	W or W1	
O/B	W2	
G		
L	---	

Remove Old Thermostat

Remove the old thermostat from the wall, taking care not to allow the wiring to fall inside the wall.

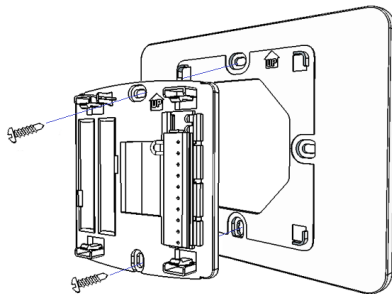
TIP: Wrap the wire ends around a long stick, such as a pencil to keep the wires from falling into the wall.



Install Mounting Plate

Use the included wall anchors and screws to attach the Mounting Plate to the wall, making sure the wires run through the center opening.

If there is wall space behind the old thermostat that needs to be covered, insert the Wall Plate between the Mounting Plate and the wall as shown, and mount both plates using the same anchors and screws. The Wall Plate can be placed vertically or horizontally for proper coverage.

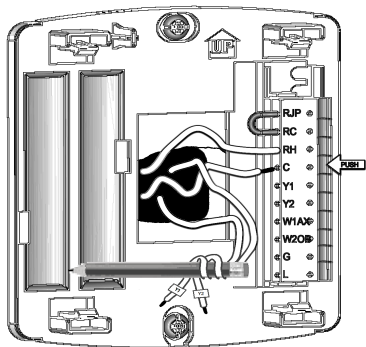


If the alignment of the existing holes is horizontal, the Wall Plate can also be used to adapt the horizontal holes to the vertically oriented holes of the Mounting Plate. With screws, attach the Wall Plate to the wall using the horizontal holes. Then use the Locking Pins in the vertical holes to attach the Mounting Plate to the Wall Plate.

Attach Wiring

Before attaching the wires, match the wire (using the labels) to its corresponding terminal. Refer to the picture of the wiring taken earlier if necessary.

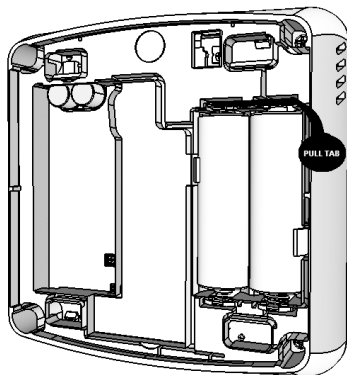
- Push the button to the right of the terminal to be connected.
- Fully insert the desired wire into the hole of the terminal and release the button.
- If properly engaged, the button will remain slightly depressed when released.



Check the Batteries

The Optima S Thermostat will automatically draw from the AC connection (RC to C) first. If AC power is not available, the device will automatically switch to the internal batteries.


Two alkaline batteries are installed in the back of the thermostat. To activate them, pull the Battery Tab.



The batteries will last approximately 18 months under normal usage. When it is time to change the batteries, a low battery icon will flash on the display.

Initial Configuration

As the Optima S Thermostat starts up, it will try to pair with a network for 10 minutes if it was not previously associated with a network. When it finds a network, times out after 10 minutes, or pairing is canceled by the user, the thermostat will ask for the Region information and the equipment type.

When configuring the thermostat, select the desired value by pressing the Up (+) or Down (-) button, then pressing the Settings () button.

Using the table below, select your country, then your type of system.

Value	Description
REGION	
US	United States – Configures thermostat for use in the US
CA	Canada – Configures thermostat for use in Canada
EQPT. TYP.	
HP	Heat Pump
NONHP	Non Heat Pump – Gas, electric, or oil heat
If HP: REVERS. VALVE:	
O	Heat Pump with O reverse valve
B	Heat Pump with B reverse valve
If non-HP: FAN ENTL.	
TSTAT	Optima S Control – Typically Electric Heat
FURNE	Furnace Control – Typically Gas or Oil Heat

After the initial configuration, the thermostat will display the home screen, at which point it is ready to be attached to the Mounting Plate.

Attach Thermostat to Mounting Plate

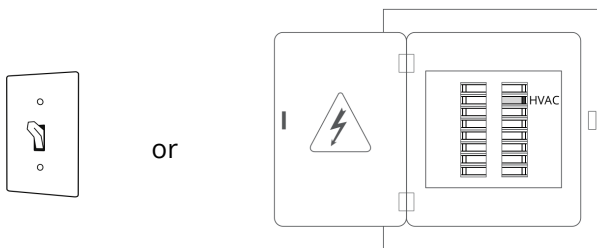
Attach the thermostat to the Mounting Plate by aligning the connector pins and the plastic retention posts, then pushing the thermostat onto the Mounting Plate.

Make sure the connector pins are not bent and that the **thermostat is fully seated** on the Mounting Plate. The thermostat will display `NOT ATTACHED` if the Mounting Plate is not properly seated.



Turn Power Back On to the HVAC System

Go to the furnace switch or breaker box and turn the HVAC system back on.



Configure Thermostat

The thermostat can now be used as a local manual thermostat, but to use or change the enhanced features, additional settings need to be configured. See the *Configuring the Thermostat* section for more details.

USING THE THERMOSTAT HOME SCREEN

The Optima S Thermostat offers basic functions using the Home Screen controls, such as changing the Set Point and turning on the fan. To conserve energy and minimize distractions at night, the display automatically turns off after 10 seconds of no activity by default.

Changing the Set Point Temperature

To change the set point, simply touch the Up (+) or Down (-) button. The ambient temperature will move to the time display area and the current set point will be displayed in the Main Temperature display. The Message Display will indicate which set point is being changed.

Use the Up (+) or Down (-) buttons to select the desired set point and touch the Main Temperature display to save the new set point and return to the Home Screen. The thermostat will also save the new set point when it returns to the Home Screen after 3 seconds of no activity.

The set point is adjusted by 1 degree for each button press when in Fahrenheit mode and 0.5 degrees when in Celsius mode. There is a minimum separation between the Heat and Cool set points. If the set point being changed gets too close to the other set point, the other set point will be adjusted to maintain the separation. The default separation is 1.5°C / 3°F.

The set point temperature will stay at the selected value until changed using the Home Screen buttons or by the connected smart home system.

Holding A Set Point Temperature

If you would like to have the Optima S Thermostat ignore set point temperature changes from the connected home system, you can place the thermostat on Permanent Hold.

To do this, select the desired set point temperature using the Up (+) or Down (-) button and press the Fan button while the desired set point temperature is displayed on the Main Temperature display. The Permanent Hold icon will appear to indicate the Permanent Hold state.

To remove the Permanent Hold state, press the Up (+) or Down (-) button on the Home Screen to display the set point temperature and press the Fan button. The Permanent Hold icon will disappear and the thermostat will accept set point changes from the connected home system. The current set point will be maintained until a future change.

Changing The Operating Mode

To change the operating mode of the system, simply touch the Mode button to select between the following:

- **Off** – The thermostat will not call for heat or cooling.
 - **Cool** – The thermostat will call for cooling if the room temperature is above the Cool set point.
 - **Heat** – The thermostat will call for heat if the room temperature is below the Heat set point.
 - **Auxiliary Heat** – For Heat Pump only. The thermostat will call for heat from the auxiliary heating unit *instead* of the Heat Pump if the room temperature is below the Heat set point.
 - **Auto Heat/Cool** – The thermostat will call for heat or cooling as required to keep the room temperature within the range set by the Heat and Cool set points.
-

Frost Protect is active by default in all the above modes, including Off and Cool. Should the room temperature drop below the Frost Protect set point, the thermostat will call for heat to prevent frost damage.

Turning On The Fan

The Fan operates in one of two modes, Fan Auto and Fan On. In Fan Auto, the fan will turn on when the thermostat calls for heat or cooling. It is off otherwise. Fan On keeps the fan running continuously.

When you want the fan to be on regardless of the heating or cooling state, press the Fan button on the home screen. The Fan Auto icon will disappear to indicate the Fan On mode of the fan. There will be a slight delay between selecting Fan On mode and the fan turning on

Press the Fan button again to put the fan back into Fan Auto mode, under the control of the thermostat.

The Fan Status icon will indicate when the fan is on or off, appearing when the fan is on.


CONFIGURING THE THERMOSTAT

Settings mode is for experienced or authorized installers

Configuration Screens


The following 16 settings and functions are accessible within Settings. Each is described on the following pages.

Item #	Item Name	Description
1	Temperature Units	Celsius or Fahrenheit
2	Brightness	Display brightness when active
3	Display Mode	Full or Simple display mode
4	Display On Time	Length of time the display stays on
5	Set Point Span	Accuracy of heat/cool set point
6	Frost Protect Point	Set point to call for heat regardless of mode
7	Offset	Adjustment to temperature reading
8	Language	English, French or Spanish
9	Region	US or Canadian defaults
10	Equipment Type	Heat Pump or Conventional system
11	Fan Control / Reversing Valve	Additional setting for Equipment Type: Furnace or thermostat fan control / O or B reversing valve
12	Clock Format*	12 or 24 hour display format <i>Only available when paired with a network</i>
13	Identify	Initiate ZigBee IDENTIFY function for 10 minutes
14	Start Pairing	Deletes network settings and attempts to pair with a network
15	Factory Default	Resets the thermostat to Factory settings

To enter Settings mode, press the Settings () button. The first configuration screen will appear, as indicated by the \uparrow in the Humidity display area.

Pressing the Settings button will cycle through all the available configuration settings and three functions (Identify, Pairing and Factory Default).

You can go back to the previous screen by pressing the Settings button and holding it for more than 0.3 seconds before releasing it. This provides a quick way to get to the Factory Default screen since the screens wrap when the end is reached going in either direction.

When configuring the thermostat, select the desired value by pressing the Up (+) or Down (-) button, then pressing the Settings () button to go to the next screen or the Main button to return to the Home Screen. The desired value is also saved when the display times out after 10 seconds and goes to the Home Screen.

Only relevant buttons will be displayed in each of the configuration screens. Touching a non-button area will save your changes and return to the Home Screen.

Settings/Functions

Following are detailed descriptions of each setting and function.

1. *Temperature Units*

Select between °C or °F.

°F – Use Fahrenheit units for temperature (US default)

°C – Use Celsius/Centigrade units for temperature (CA default)

2. *Brightness*

Select the display brightness level from 1 to 10, with a default of 5.

3. *Display Mode*

Select between Full and Simple display mode.

FULL – Button outlines and time are displayed (default)

SIMPLE – Button outlines and time are not displayed

4. *Display On Time*

Select how long the display stays on after no activity

15 – Display stays on for 15 seconds

10 – Display stays on for 10 seconds (default)

5 – Display stays on for 5 seconds

10 – Display dims to level 1 after 10 seconds of no activity

5. *Set Point Span*

Temperature difference between set point and ambient at which the device calls for Heat or Cool.

In Celsius mode: Range is 0.25 to 1°C, in 0.25° steps; default 0.25°C

In Fahrenheit mode: Range is 0.5 to 2°F, in 0.5° steps; default 0.5°F

Example: a span of 1°F with a Heat set point of 70°F will allow the room temperature to drop to 69°F before calling for Heat.

6. *Frost Protect Point*

Select temperature at which the thermostat will call for heat regardless of mode.

In Celsius mode: Range is 5 to 15°C, in 0.5° steps; default 5°C

In Fahrenheit mode: Range is 41 to 59°F, in 1° steps; default 41°F

Trying to go below the lowest value will turn Frost Protect off, indicated by an $\square F F$ value in the time display area.

7. *Offset*

Select the number of degrees added to the measured temperature to be used as the ambient temperature.

In Celsius mode: Range is $\pm 4^\circ\text{C}$ in 0.5 degree increments

In Fahrenheit mode: Range is $\pm 7^{\circ}\text{F}$ in 1 degree increments

Default: 0 degrees

8. *Language*

Select language for all Message area messages.

EN – English (default)

FR – French

ES – Spanish

9. *Region*

Same setting as initial setup. Select operating limits and defaults.

US – Use US operating limits and defaults

CR – Use Canadian operating limits and defaults

10. *Equipment Type*

Same setting as initial setup. Select HVAC type.

HP – Heat Pump

NONHP – Electric, Gas, or Oil heat

11. *Fan Control / Reversing Valve*

If the Equipment Type is non-Heat Pump (NONHP):

Select the type of fan control.

FURNCE – Furnace fan control, typical for gas heating (default)

TSTAT – Thermostat fan control, typical for electric or oil heating

If the equipment type is heat pump (HP):

Select the type of reversing valve.

0 – O reverse valve (default)

B – B reverse valve

12. Clock Format*

If time display is active, select the time format, 12 or 24 hour clocks.

12 – 12 hour format with AM/PM indicators.

24 – 24 hour format

13. Identify

Places the thermostat in “Identify” mode for 10 minutes, flashing the LCD display to allow easy location by the user.

14. Start Pairing

Forces the device to re-initiate pairing to join a different network or to reconnect to the network. The attempt lasts for 10 minutes. Cancel the attempt with the Down (-) button.

This menu item allows the Optima S Thermostat to be connected to a compatible connected home system. Check with your connected home system procedures for details.

15. Factory Default

Select to restore all operating parameters to Factory Status. Confirm with the Down (-) button after selecting this option.

SPECIFICATIONS

Temperature units	°C or °F
Operating temperature	32-122 °F (0-50 °C)
Indoor temperature measurement range	32-104 °F (0-40 °C)
Protocol	ZigBee – Home Automation 1.0
AC power	18-30 VAC at RC and C terminals
Battery Power	2 x AA Alkaline batteries
Battery Life	18 months under normal usage
Size	4.2" (L) x 4.2" (W) x 1.1" (H) 10.7cm (L) x 10.7cm (W) x 2.9cm (H)
Weight	0.76 lbs (345 g)

TROUBLESHOOTING

The thermostat does not call for heat and/or cooling.

- Check that the connector pins are straight.
- Check that the thermostat is fully seated on the mounting plate. If the terminal connections are not fully engaged, the firmware does not activate the relays. This prevents power surges to the HVAC system.

The heat and cooling are reversed.

- Check that the thermostat is configured properly, Heat Pump or Non Heat Pump. If Heat Pump, Check that the O/B configuration is correct.
- Check that the wiring is correct, especially the Y and W wires. If Heat Pump, Check that the O/B wire is correct.

The fan does not turn on.

- Check that the wiring is correct, especially the G wire.
- If oil or gas heating, make sure the furnace is working. In furnace mode (FURNCE), the fan is under furnace control to avoid a blast of cold air at the start.

Display does not appear when low batteries are replaced.

- Press the Reset button on the bottom of the thermostat with a straightened paper clip or pen point.
-

SALUS WARRANTY

SALUS North America, Inc. (“Salus”) warrants that for a period of two (2) years (“Warranty Period”) from the date of purchase by the consumer (“Customer”), this device, excluding batteries (“Product”), shall be free of defects in materials and workmanship under normal use and service in accordance with all supplied instructions. During the warranty period, Salus shall, at its option, repair or replace any defective Products, at no charge for the device. Any replacement and/or repaired devices are warranted for the remainder of the original Warranty Period or ninety (90) days, whichever is longer.

This warranty does not cover removal or reinstallation costs. This warranty does not apply to any Product (i) which has been modified, repaired, or altered, except by Salus or an authorized Salus representative, (ii) which has not been maintained in accordance with any handling or operating instructions supplied by Salus, or (iii) which has been subjected to unusual physical or electrical stress, misuses, abuse, negligence or accidents.

This warranty is the only express warranty Salus makes for the Product. Any implied warranties, including warranties of merchantability or fitness for a particular purpose, are limited to the Warranty Period or the shortest period allowed by law.

SALUS SHALL NOT BE LIABLE FOR ANY LOSS OR DAMAGE OF ANY KIND, INCLUDING ANY SPECIAL, INCIDENTAL OR CONSEQUENTIAL DAMAGES RESULTING, DIRECTLY OR INDIRECTLY, FROM ANY BREACH OF ANY WARRANTY, EXPRESS OR IMPLIED, OR ANY OTHER FAILURE OF THIS PRODUCT. Some states and provinces do not allow the exclusion or limitation of incidental or consequential damages, or limitation on the duration of implied warranties of

merchantability or fitness, so these exclusions or limitations may not apply to you.

No oral or written information or advice given by Salus or a Salus-authorized representative shall modify or extend this warranty. If any term is held to be illegal or unenforceable, the legality or enforceability of the remaining terms shall not be affected or impaired.

Customer's sole and exclusive remedy under this limited warranty is product repair or replacement as provided herein. If a Product under warranty is defective, the Customer may:

- contact the party ("Seller") from which the Customer purchased the Product to obtain an equivalent replacement product after the Seller has determined that the Product is defective and the Customer is eligible for a replacement, or,
- contact Salus Service at support@salusinc.com, to determine whether the device qualifies for a replacement. If a replacement is warranted and is shipped prior to the return of the device under warranty, a credit card is required and a hold may be placed on the Customer's credit card for the value of the replacement until the returned device is verified as eligible for replacement, in which case, the Customer's credit card will not be charged.

This warranty gives you specific legal rights, and you may also have other rights that vary from jurisdiction to jurisdiction. If you have any questions regarding this warranty, please write Salus at:

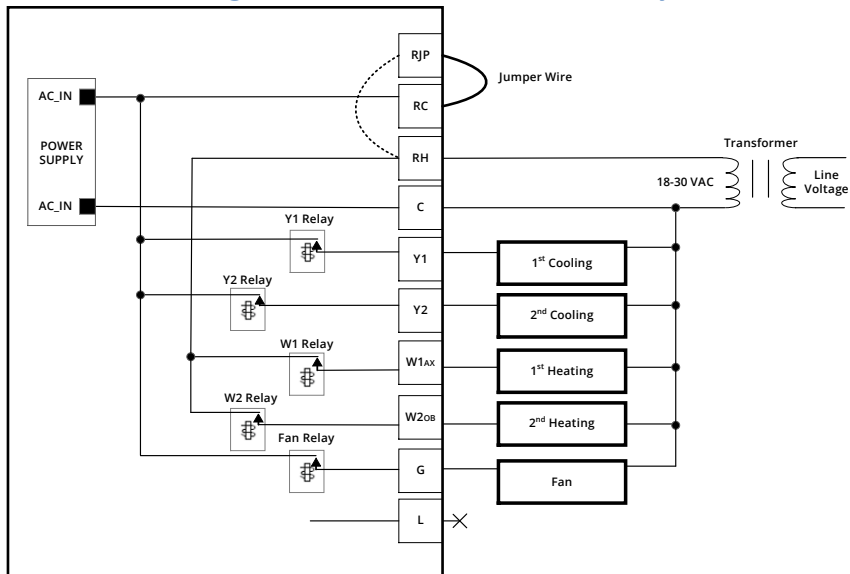
SALUS North America, Inc.
850 Main Street
Redwood City, CA 94063

APPENDIX A – WIRING DIAGRAMS

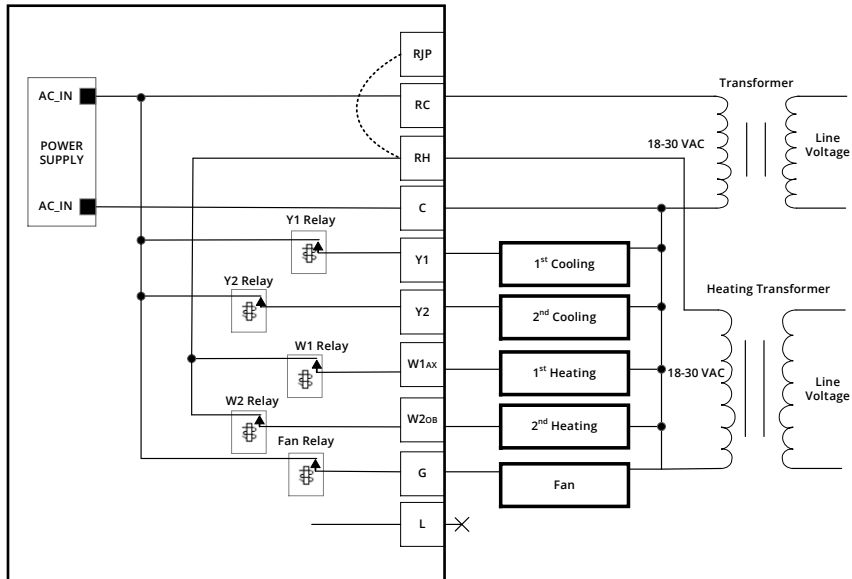
Terminal Definitions

Optima S Thermostat Terminal Reference		
Terminal	Non-Heat Pump	Heat Pump
RJP	Power Jumper (RH)	
RC	24 VAC for Cooling System or Jumper to RJP	
RH	24 VAC for Heating System	24 VAC for Heat Pump
C	24 VAC Common Return	
Y1	Single or 1 st Stage Cooling	Single or 1 st Stage Compressor
Y2	2 nd Stage Cooling	2 nd Stage Compressor
W1AX	Single or 1 st Stage Heating	Auxiliary or Emergency Heat
W2OB	2 nd Stage Heating	Changeover Valve
G	Fan Control	
L	Not Used	System Monitor

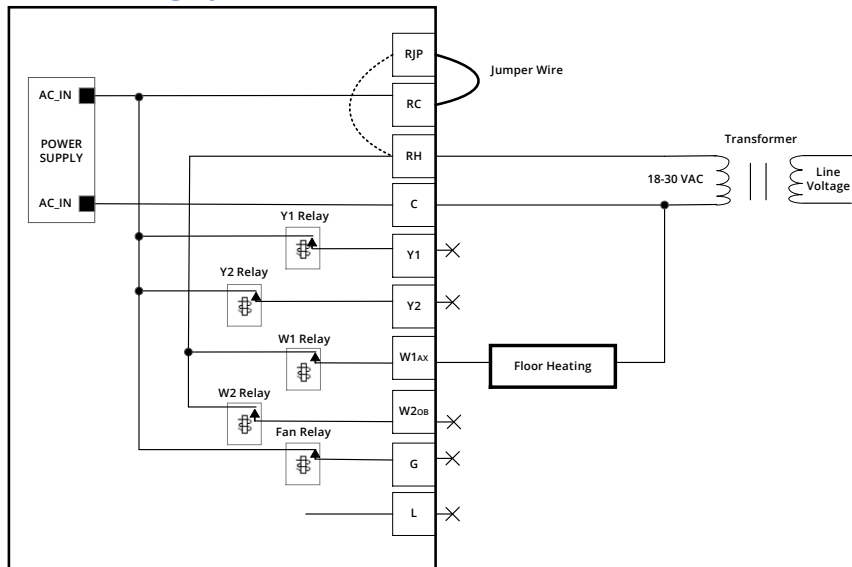
Conventional Single Transformer Heat and Cool System



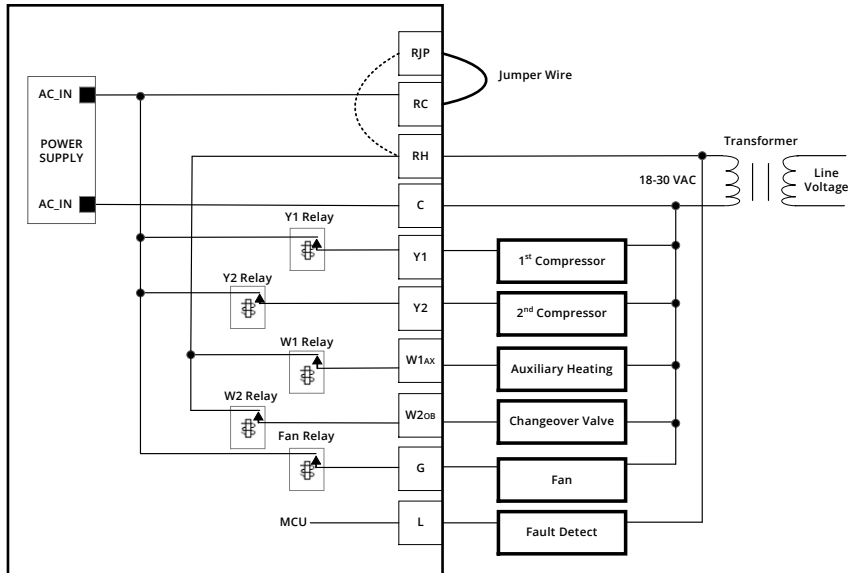
Conventional Two Transformer Heat and Cool System



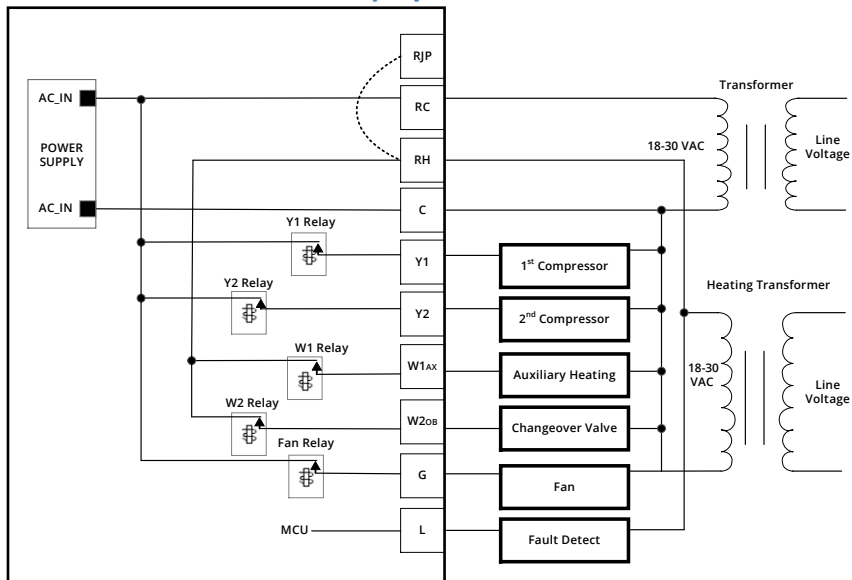
Floor Heating System



Single Transformer Heat Pump System



Two Transformer Heat Pump System



APPENDIX B – REGULATORY STATEMENTS

FCC Statements

WARNING: Changes or modifications to this unit not expressly approved by the party responsible for compliance could void the user's authority to operate the equipment.

This device complies with Part 15 of the FCC Rules. Operation is subject to the following two conditions: (1) this device may not cause harmful interference, and (2) this device must accept any interference received, including interference that may cause undesired operation.

NOTE: This equipment has been tested and found to comply with the limits for a Class B digital device, pursuant to Part 15 of the FCC Rules. These limits are designed to provide reasonable protection against harmful interference in a residential installation. This equipment generates, uses and can radiate radio frequency energy, and if not installed and used in accordance with the instructions, may cause harmful interference to radio communications. However, there is no guarantee that interference will not occur in a particular installation. If this equipment does cause harmful interference to radio or television reception, which can be determined by turning the equipment off and on, the user is encouraged to try to correct the interference by one or more of the following measures:

- Reorient or relocate the receiving antenna.
 - Increase the separation between the equipment and receiver.
 - Connect the equipment into an outlet on a circuit different from that to which the receiver is connected.
 - Consult the dealer or an experienced radio/TV technician for help.
-

FCC and Industry Canada

RF Radiation Exposure statement: This equipment complies with FCC and Industry Canada RF radiation exposure limits set forth for an uncontrolled environment. This equipment should be installed and operated with a minimum distance of 20 centimeters between the antenna and all persons.

Industry Canada

This device complies with Industry Canada license-exempt RSS standard(s). Operation is subject to the following two conditions: (1) this device may not cause interference, and (2) this device must accept any interference, including interference that may cause undesired operation of the device.

Le présent appareil est conforme aux CNR d'Industrie Canada applicables aux appareils radio exempts de licence. L'exploitation est autorisée aux deux conditions suivantes : (1) l'appareil ne doit pas produire de brouillage, et (2) l'utilisateur de l'appareil doit accepter tout brouillage radioélectrique subi, même si le brouillage est susceptible d'en compromettre le fonctionnement.



SALUS North America, Inc.
850 Main Street
Redwood City, CA 94063