



PORTABLE SPOT CLEANER

CARPET & UPHOLSTERY CLEANER

USER MANUAL

IMPORTANT: READ ALL INSTRUCTIONS CAREFULLY BEFORE ASSEMBLY AND USE.

This product is intended for Household use only. If used Commercially warranty is VOID.

Versión en español: Puede encontrar la versión en español de este manual en dirtdevil.com en esta página de productos.

IMPORTANT SAFETY INSTRUCTIONS

SAVE THESE INSTRUCTIONS

READ ALL SAFETY WARNINGS AND INSTRUCTIONS BEFORE USING THIS PRODUCT.

WARNING: When using an electrical product, basic precautions should always be followed to avoid electric shock, fire, and/or serious injury, including the following:

- Fully assemble product prior to use.
- Operate cleaner only at voltage specified on data plate on bottom of cleaner.
- Do not leave appliance when plugged in. Unplug from outlet when not in use and before cleaning or servicing.
- Do not expose to rain, store indoors.
- Do not immerse. Use only on surfaces moistened by cleaning process.
- To Reduce the Risk of Fire and Electric Shock due to internal component damage, use only Dirt Devil® Cleaning Fluids intended for use with this appliance. See the Cleaning Fluid section of this manual.
- Do not allow to be used as a toy. Not intended for use by children age 12 and under. Close supervision is necessary when used by or near children. To avoid injury or damage, keep children away from product, and do not allow children to place fingers or other objects into any openings.
- Use only as described in this manual. Use only manufacturer's recommended attachments and products.
- Do not use product with damaged cord or plug. If product is not working as it should, has been dropped, damaged, left outdoors, or dropped into water, call customer service at 1-800 321-1134 prior to continuing use.

- Do not pull or carry by cord, use cord as a handle, close a door on cord, or pull cord around sharp edges or corners. Do not place product on cord. Do not run appliance over cord. Keep cord away from heated surfaces.
- Do not unplug by pulling on cord. To unplug, grasp the plug, not the cord.
- Do not handle plug or appliance with wet hands.
- Do not put any object into openings. Do not use with any opening blocked; keep free of dust, lint, hair, and anything that may reduce air flow.
- Keep hair, loose clothing, fingers, and all parts of body away from openings and moving parts.
- Turn off all controls before unplugging.
- Do not use to pick up flammable or combustible liquids, such as gasoline, or fine wood sandings, or use in areas where they may be present.
- Connect to a properly grounded outlet only. See Grounding Instructions.
- Do not pick up anything that is burning or smoking, such as cigarettes, matches, or hot ashes.
- Do not use without filters and tanks in place.
- Do not clean over floor electrical outlets.
- Put product away after use to prevent tripping accidents.
- Use extra care when cleaning on stairs. To avoid personal injury or damage, and to prevent the cleaner from falling, always place cleaner at bottom of stairs or on floor.

Do not place cleaner on stairs or furniture, as it may result in injury or damage.
• This product contains no serviceable parts. Call 1-800-321-1134 for customer service.

CAUTION:

TO REDUCE THE RISK OF DAMAGE:

- Avoid picking up hard, sharp objects with this product, as they may cause damage.
- Store appropriately indoors in a dry place. Do not expose machine to freezing temperatures.
- Do not use sharp objects to clean out hose as they can cause damage.
- To assist in reducing drying time, be certain the area is well ventilated when using detergents and other cleaners with this machine.
- To help prevent matting and resoiling, avoid contact with carpets until they are dry. Keep children and pets away from carpets until they are completely dry.
- Do not store extractor with solution in tanks.
- DO NOT USE THIS EXTRACTOR ON HARD FLOORS UNLESS YOU HAVE THE PROPER HARD FLOOR ATTACHMENT. USING THIS PRODUCT ON HARD FLOORS MAY SCRATCH OR DAMAGE YOUR FLOOR.
- Water will drip from the tool after use and may puddle. To avoid damage to wood and laminate flooring and to avoid potential slip hazard, after use (a) do not leave the product on wood and laminate surfaces and remove to a hard surface and (b) place unit on absorbent material (such as a towel) to soak up drips.

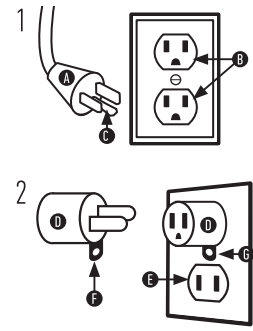
GROUNDING INSTRUCTIONS

This appliance must be grounded. If it should malfunction or breakdown, grounding provides a path of least resistance for electric current to reduce the risk of electric shock. This appliance is equipped with a cord having an equipment-grounding conductor (C) and grounding plug (A). The plug must be inserted into an appropriate outlet (B) that is properly installed and grounded in accordance with all local codes and ordinances.

WARNING:

Improper connection of the equipment-grounding conductor can result in the risk of electric shock. Check with a qualified electrician or service person if you are in doubt as to whether the outlet is properly grounded. Do not modify the plug provided with the appliance - if it will not fit the outlet, have a proper outlet installed by a qualified electrician.
This appliance is for use on a nominal 120-volt circuit and has a grounding plug that looks like the plug (A) illustrated in Fig. 1. A temporary adapter (D) may be used to connect this plug to a 2-pole receptacle (E) if a properly grounded outlet is not available (Fig.

2). The temporary adapter should be used only until a properly grounded outlet (B) can be



installed by a qualified electrician (Fig. 1). The green colored rigid ear, lug, or the like (F) extending from the adapter must be connected to a permanent ground (G) such as a properly grounded outlet box cover (Fig. 2). Whenever the adapter is used, it must be held in place by a metal screw. NOTE: In Canada, the use of a temporary adapter is not permitted by the Canadian Electrical Code.

DO NOT RETURN TO STORE

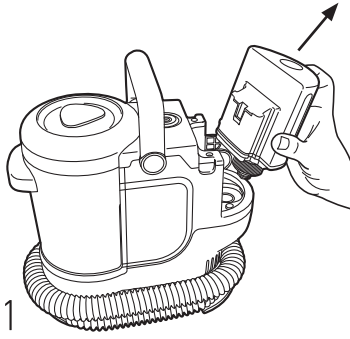
Contact Dirt Devil Support for assistance with your vacuum.

Chat with us!
dirtdevil.com/pages/ddcontact
Every day 8am-8pm EST

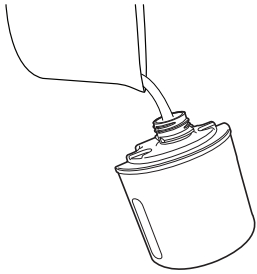
Give us a call!
800-321-1134
Mon-Fri, 9am-5pm EST

GETTING STARTED

Fully assemble product prior to use.



1 Remove Solution Tank from the side of the unit, then remove the cap.



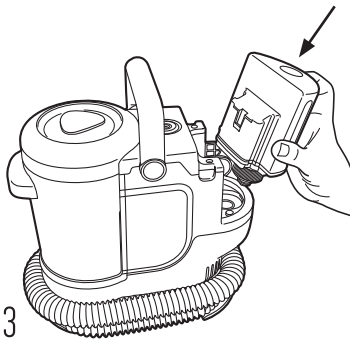
2 Follow the formula ratio chart and use the included fill lines on the solution tank to add cleaning formula.

CLEANING FLUID: Use only Dirt Devil solutions tested for use with this product.

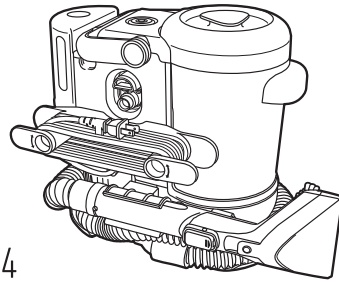
FORMULA RATIO CHART

AD13700 Concentrate Pet Formula

Tank Size	19 oz.
Tough Stains	Use at 100% concentrate
General Cleaning	3 oz. of solution



3 Replace and tighten cap. Slide the Solution Tank back into the unit to secure the tank.



4 Unwrap hose from unit. Select preferred tool and make sure it is attached securely.

NOTE: Read the directions on the Dirt Devil® Portable Formula for carpet cleaning prior to use.

CAUTION: Not to be used for grooming a pet.

CAUTION: DO NOT USE THIS EXTRACTOR ON HARD FLOORS. USING THIS PRODUCT ON HARD FLOORS MAY SCRATCH OR DAMAGE YOUR FLOOR.

TIP

BEFORE YOU BEGIN CLEANING

- 1 Vacuum carpet and upholstery thoroughly with a Dirt Devil vacuum before use. Don't use the carpet cleaner as a traditional vacuum cleaner.
- 2 Use your Dirt Devil carpet cleaner only if upholstery fabric is marked with a "W" (for "wet" clean) or "S/W" (for "solvent/dry" or "wet" clean). Don't clean fabric marked "S" ("solvent/dry" clean only).
- 3 Test for colorfastness in a small, hidden area. Gently rub surface with a dampened white cloth. Wait ten minutes and check for color removal or bleed with a white paper towel.

OPERATION

CAUTION: Do not clean over floor electrical outlets. Water will drip from the tool after use and may puddle. To avoid damage to wood and laminate flooring and to avoid potential slip hazard, after use (a) do not leave the product on wood and laminate surfaces and move to a hard surface and (b) place unit on an absorbent material (such as a towel) to soak up drips.

TIP

FOR BEST RESULTS

Pretreat stains with a Dirt Devil® spot treatment (see Dirt Devil® Cleaning Solution Guide) to help loosen and remove even the most stubborn stains.

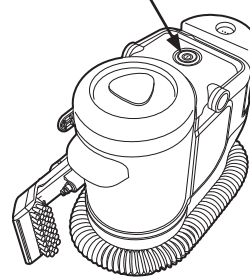
Distribute a generous amount of pretreat spray on spot, stain, or high traffic area.

Always follow specific directions found on solution label.

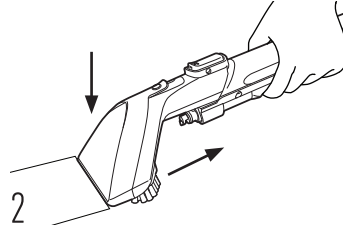
Wait 5-10 minutes before using machine.

STORAGE: Wrap cord around the cord hooks for convenient storage. Attach the plug end to the cord. With fast cord release, simply turn the cord wraps 180 degrees to the right or left.

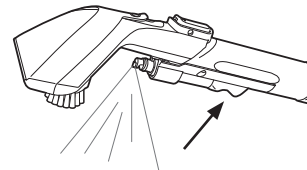
LUBRICATION: The motor is equipped with bearings which contain sufficient lubrication for their lifetime. The addition of lubricant could cause damage. Do not add lubricant to motor bearings



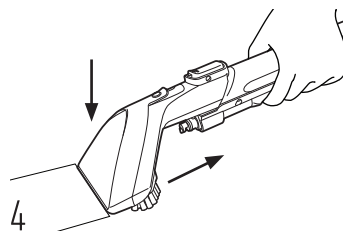
1 Press Red Power button on top of unit to turn ON.



2 Remove any chunks or large debris with a cloth before using machine. Use preferred tool to suction any excess liquid from the stain.



3 Hold the tool about 5 inches over the spot or stain. Spray a generous amount of cleaning solution over the soiled area by pressing the trigger behind the tool. Scrub the stain in a back-and-forth motion.



4 To lift the stain, suction up the dirt and cleaning solution by applying downward pressure on the front of the cleaning tool and pull towards you. Repeat as needed.

IMPORTANT: Empty the Recovery Tank when it reaches the MAX fill line or you hear an audible change. Ensure the tank is secured before cleaning.

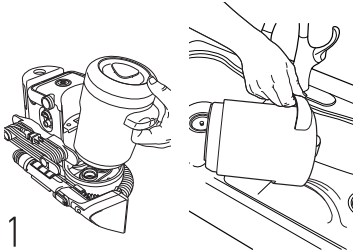
MAINTENANCE

WARNING: To reduce the risk of personal injury, unplug before cleaning or servicing.

WARNING: To reduce risk of fire and electric shock due to internal component damage, use only Dirt Devil® cleaning products intended for use with the appliance as noted.

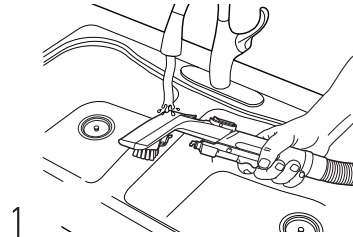
This product contains no serviceable parts. If appliance is not working as it should, has been dropped, damaged, left outdoors, or dropped into water, call customer service at **1-800-321-1134** prior to continuing use.

HOW TO CLEAN RECOVERY TANK

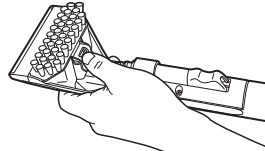


1 Remove dirty water tank by pulling upwards on the handle, lift the lid off to empty, and then rinse with clean water to remove dirt and debris from tank.

HOW TO CLEAN TOOLS

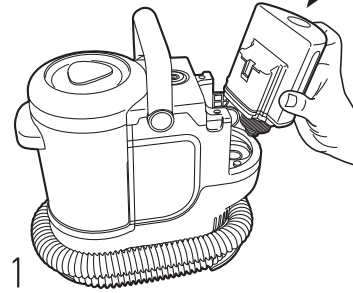


1 Remove the tool from the hose. Rinse hand tool under faucet.

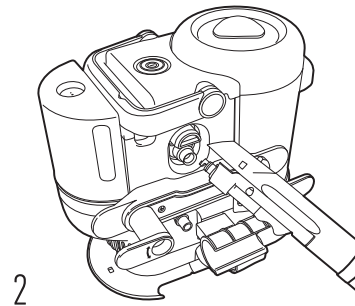


2 Rinse and scrub tool(s) to remove dirt and debris caught inside the tool(s).

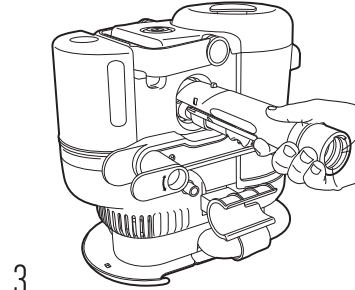
HOW TO CLEAN HOSE



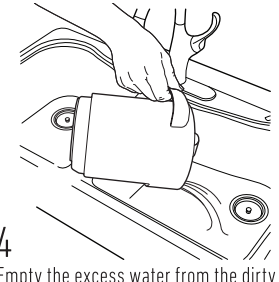
1 Fill the solution tank with warm water (max 140°F (60°C)) to the small area fill line.



2 Remove any attachments from the hose and insert end of hose into the built-in hose rinse port.



3 Ensure both the solution and recovery tank are secured on unit. Turn unit on and press the trigger for 5-10 seconds. The clean water will rush through the hose, effectively cleaning and removing dirt and debris left in the hose.



4 Empty the excess water from the dirty water tank and rinse. Let air dry before reinstalling.

THERMAL PROTECTOR

A thermal protector has been designed into your cleaner to protect it from overheating. When the thermal protector activates the cleaner will stop running. If this happens proceed as follows:

1. Turn cleaner OFF and unplug it from the electrical outlet.
2. Empty dirty water tank.
3. Inspect the nozzle inlet, hose connector, hose, dirty water tank inlet, and rinsable filter for any obstructions. Clear obstructions if present.
4. When cleaner is de-energized and motor cools for 30 minutes, the thermal protector will deactivate and cleaning may continue.

If the thermal protector continues to activate after following the above steps, your cleaner needs servicing.

TROUBLESHOOTING

REPLACEMENT PARTS AND ACCESSORIES SUCH AS SOLUTIONS AVAILABLE AT DIRTDEVIL.COM. IF APPLIANCE IS NOT WORKING AS IT SHOULD, HAS BEEN DROPPED, DAMAGED, LEFT OUTDOORS, OR DROPPED INTO WATER, CALL CUSTOMER SERVICE AT 1-800-321-1134 PRIOR TO CONTINUING USE. ALWAYS IDENTIFY YOUR CLEANER BY THE COMPLETE MODEL NUMBER. (THE MODEL NUMBER APPEARS ON THE BOTTOM OF THE CLEANER.)

WARNING: To reduce the risk of personal injury, unplug before cleaning or servicing.

PROBLEM	POSSIBLE CAUSE	POSSIBLE SOLUTION
Cleaner won't run	<ol style="list-style-type: none"> 1. Power cord not firmly plugged into outlet. 2. Blown fuse or tripped breaker. 3. Needs service. 	<ol style="list-style-type: none"> 1. Plug unit in firmly. 2. Check fuse or breaker in home. Replace fuse/reset breaker in home. 3. Visit our website at www.dirtdevil.com or call 1-800-321-1134.
Cleaner won't pick-up or low suction	<ol style="list-style-type: none"> 1. Recovery Tank is not installed correctly. 2. Recovery Tank is full. 3. Recovery Tank is clogged. 4. Air path is clogged. 5. Recovery Tank debris filter is clogged. 	<ol style="list-style-type: none"> 1. Check placement of Recovery Tank in base of cleaner. 2. Empty Recovery Tank. 3. Clean Recovery Tank. 4. Remove Hose and Flush out with Clean Water. 5. Remove debris filter and rinse thoroughly, then replace.
Water escaping from Cleaner	<ol style="list-style-type: none"> 1. Recovery Tank is full. 2. Recovery Tank is not installed correctly. 3. Solution Tank not installed properly. 	<ol style="list-style-type: none"> 1. Empty Recovery Tank. 2. Check placement of Recovery Tank in base of cleaner. 3. Review "Getting Started" for Solution Tank Installation.
Cleaner won't dispense	<ol style="list-style-type: none"> 1. Solution Tank is empty. 2. Solution Tank not installed properly. 3. Needs service. 	<ol style="list-style-type: none"> 1. Fill Solution Tank. 2. Review "Getting Started" Solution Tank Installation. 3. Visit our website at www.dirtdevil.com or call 1-800-321-1134.
Hose nozzle will not spray after filling the Clean Water Tank or Solution Tank Container.	<ol style="list-style-type: none"> 1. Air is trapped in the pump and hose. 	<ol style="list-style-type: none"> 1. Turn on the cleaner. If hose does not spray, prime the pump by lowering the hose down to the floor and hold the trigger for up to 1 minute.
Motor noise becomes high-pitched	<ol style="list-style-type: none"> 1. Recovery Tank is full. 2. Recovery Tank is clogged. 3. Air path is clogged. 4. The float in the Recovery Tank has been activated. 	<ol style="list-style-type: none"> 1. Empty Recovery Tank. 2. Clean the Recovery Tank. 3. Unclog air path. 4. Review Cleaning the Recovery Tank.

WARRANTY

LIMITED WARRANTY FOR DIRT DEVIL® PRODUCT 1 (ONE) YEAR LIMITED WARRANTY (DOMESTIC USE)

If this product is not as warranted, contact TTI Floor Care North America Customer Service at 1-800-321-1134. Please have available the proof of purchase and model number for the warranted product.

Failure to register the product does not diminish product warranty rights.

WHAT THIS WARRANTY COVERS: This limited warranty provided by Royal Appliance Mfg. Co., doing business as TTI Floor Care North America (referred to hereafter as “Warrantor”) applies only to products purchased in the U.S. (including its territories and possessions), a U.S. Military Exchange, or Canada. When used and maintained in normal household use and in accordance with the Owner’s Guide, this product is warranted against original defects in material and workmanship for 1 (ONE) year from the date of original purchase (the “Warranty Period”). If Warrantor determines that the issue you are experiencing is covered under the terms of this warranty (a “covered warranty claim”), we will, at our sole discretion and free of charge (subject to the cost of shipping), either (i) repair your product; (ii) ship you a replacement product, subject to availability; or (iii) in the event that the applicable parts or replacement are not reasonably available, ship you a similar product of equal or greater value. In the unlikely event that we are unable to repair your product or ship a replacement or similar product, we reserve the right, at our sole discretion, to issue you a refund or store credit (if applicable) of the actual purchase price at the time of the original purchase as reflected on the original sales receipt. Parts and replacements may be new, refurbished, lightly used, or remanufactured, in Warrantor’s sole discretion.

WHO THIS LIMITED WARRANTY COVERS: This limited warranty extends only to the original retail purchaser, with original proof of purchase from Warrantor or an authorized dealer of Warrantor products, in the U.S., U.S. Military Exchanges, and Canada.

WHAT THIS WARRANTY DOES NOT COVER: This warranty does not cover use of the product in a commercial operation (such as maid, janitorial, and equipment rental services, or any other income-generating activity); improper maintenance of the product; the product if it has been subject to misuse, negligence, neglect, vandalism, or the use of voltages other than that on the data plate of this product. This warranty does not cover damage resulting from an act of God, accident, owner’s acts or omissions, service of this product by other than Warrantor or a Warrantor authorized service provider (if applicable), or other acts beyond the control of Warrantor. This warranty also does not cover use outside the country in which the product was initially purchased, or resale of the product by the original owner. Pick-up, delivery, transportation, and house calls are

not covered by this warranty. In addition, this warranty does not cover any product that has been altered or modified, or repairs made necessary by normal wear or the use of other products, parts, or accessories which are either incompatible with this product or adversely affect this product’s operation, performance, or durability. Normal wear items are not covered under this warranty. Depending on the product, normal wear items may include, but are not limited to, belts, filters, brush rolls, blower fans, blower and vacuum tubes, and vacuum bags and straps.

OTHER IMPORTANT TERMS: This warranty is not transferable and may not be assigned; any assignment made in contravention of this prohibition is void. This warranty shall be governed and construed under the laws of the state of North Carolina. The Warranty Period will not be extended by any replacement of batteries, parts, or products or by virtue of any repair performed under this warranty.

THIS LIMITED WARRANTY IS THE EXCLUSIVE WARRANTY AND REMEDY, AND ALL EXPRESS AND IMPLIED WARRANTIES OTHER THAN THE LIMITED WARRANTY SET FORTH ABOVE, INCLUDING IMPLIED WARRANTIES OF MERCHANTABILITY AND FITNESS FOR A PARTICULAR PURPOSE, ARE EXPRESSLY DISCLAIMED. IN NO EVENT WILL WARRANTOR BE LIABLE FOR ANY SPECIAL, INDIRECT, INCIDENTAL OR CONSEQUENTIAL DAMAGES OF ANY KIND OR NATURE TO OWNER OR ANY PARTY CLAIMING THROUGH OWNER, WHETHER BASED IN CONTRACT, NEGLIGENCE, TORT, OR STRICT PRODUCTS LIABILITY OR ARISING FROM ANY CAUSE WHATSOEVER, EVEN IF THIS WARRANTY FAILS OF ITS ESSENTIAL PURPOSE. TO THE EXTENT PERMITTED BY APPLICABLE LAW, NO WARRANTIES THAT ARISE BY OPERATION OF LAW, IF APPLICABLE, SHALL EXCEED THE DURATION OF THE LIMITED WARRANTY PROVIDED HEREIN. Warrantor’s liability for damages to you for any costs whatsoever arising out of this statement of limited warranty shall be limited to the amount paid for this product at the time of original purchase.

Some states do not allow the exclusion or limitation of incidental or consequential damages, disclaimers of implied warranties, or limitations on the duration of implied warranties, so the above exclusions, disclaimers, and/or limitations may not apply to you. This warranty gives you specific legal rights, and you may also have other rights, which vary from state to state.

GENUINE PARTS AND ACCESSORIES: We recommend using only with genuine Dirt Devil® solutions (for carpet and spot cleaners), parts, and accessories. Damage caused by use with other than genuine Dirt Devil® solutions, parts, and accessories is not covered by and may void your warranty.



APPAREIL NETTOYANT DÉTACHANT PORTABLE

APPAREIL NETTOYANT POUR TAPIS ET TISSU D'AMEUBLEMENT

GUIDE D'UTILISATION

IMPORTANT : VEUILLEZ LIRE ATTENTIVEMENT TOUTES LES INSTRUCTIONS AVANT D'ASSEMBLER ET D'UTILISER CET APPAREIL.

Ce produit est destiné à un usage domestique seulement. La garantie est nulle si l'appareil est utilisé à des fins commerciales.

Versión en español: Puede encontrar la versión en español de este manual en dirtdevil.com en esta página de productos.

CONSIGNES DE SÉCURITÉ IMPORTANTES CONSERVEZ CES INSTRUCTIONS

LISEZ TOUTES LES MISES EN GARDE ET LES DIRECTIVES AVANT D'UTILISER CE PRODUIT.

AVERTISSEMENT :

Lorsque vous utilisez un produit électrique, veuillez toujours suivre les consignes de sécurité élémentaires pour éviter une décharge électrique, un incendie et (ou) des blessures graves, y compris les suivantes :

- Assemblez complètement le produit avant de l'utiliser.
- N'utilisez l'appareil qu'à la tension spécifiée sur la plaque signalétique située sur sa partie inférieure arrière.
- Ne pas laisser l'appareil sans surveillance lorsqu'il est branché. Le débrancher quand il n'est pas utilisé et avant de le nettoyer ou d'en faire l'entretien.
- N'exposez pas l'appareil à la pluie. Rangez l'appareil à l'intérieur.
- N'immergez pas l'appareil. Utilisez seulement sur les surfaces humidifiées par le processus de nettoyage.
- Pour réduire les risques d'incendie et de décharge électrique causés par des composants internes endommagés, utilisez uniquement les produits nettoyeurs Dirt Devil^{MD} conçus pour cet appareil. Consultez la section « Produits nettoyeurs » du présent guide.
- Ne permettez pas aux enfants de jouer avec l'appareil. Cet appareil ne doit pas être utilisé par des enfants de moins de 12 ans. Exercez une surveillance étroite lorsque l'appareil est utilisé par un enfant ou près de lui. Gardez l'appareil hors de la portée des enfants et ne laissez pas ces derniers introduire leurs doigts ou d'autres objets

dans aucune ouverture afin d'éviter les blessures ou les bris.

- Utiliser cet appareil uniquement de la façon décrite dans ce guide. Utiliser uniquement les accessoires et les produits recommandés par le fabricant.
- N'utilisez pas le produit si le cordon d'alimentation ou la fiche est endommagé. Si le produit ne fonctionne pas comme il le devrait, est tombé, est endommagé, a été laissé à l'extérieur ou a pris l'eau, communiquez avec le service à la clientèle au **1 800 321.1134** avant de continuer à l'utiliser.
- Ne pas tirer l'appareil par le cordon, ne pas se servir du cordon comme poignée, ne pas fermer de portes sur le cordon et ne pas contourner des coins ou des rebords tranchants avec le cordon. Ne pas placer l'appareil sur le cordon. Éviter de faire rouler l'appareil sur le cordon. Tenir le cordon éloigné de toute surface chauffée.
- Ne pas tirer sur le cordon pour débrancher l'appareil. Pour le débrancher, tirer sur la fiche plutôt que sur le cordon.
- Ne pas manipuler la prise ou l'appareil avec les mains mouillées.
- Ne pas introduire d'objets dans les ouvertures. Ne pas utiliser l'appareil si les ouvertures sont obstruées : retirer la poussière, les peluches, les cheveux et tout ce qui est susceptible de réduire le débit d'air.
- Garder les cheveux, les vêtements amples, les doigts ou toute autre partie du corps à bonne distance des ouvertures et des pièces mobiles.
- Mettre toutes les commandes en position d'arrêt avant de débrancher l'appareil.
- Ne pas aspirer des liquides inflammables ou

combustibles comme de l'essence ou de la sciure de bois, ni utiliser l'appareil à proximité de ces matériaux.

- Ne brancher qu'à une prise électrique correctement mise à la terre. Consulter la section « Instructions de mise à la terre ».
- Ne pas utiliser l'appareil pour ramasser des matières qui dégagent de la fumée ou qui brûlent, comme des cigarettes, des allumettes ou des cendres encore chaudes.
- Ne pas utiliser l'appareil si les filtres et les réservoirs ne sont pas en place.
- Ne pas passer l'appareil sur des prises électriques au sol.
- Éloignez cet appareil dès la fin de son utilisation pour éviter les trébuchements.
- Redoublez de prudence lorsque vous utilisez l'appareil dans un escalier. Pour éviter tout dommage ou blessure et empêcher l'appareil de tomber, placez toujours ce dernier au bas des escaliers, sur le plancher. Ne placez pas l'appareil sur les marches d'un escalier ou sur un meuble, car cela peut entraîner des dommages ou des blessures.
- Ce produit ne contient pas de pièces réparables. Appelez le **1 800 321.1134** pour le service clientèle

MISE EN GARDE :

POUR RÉDUIRE LES RISQUES DE DOMMAGE :

- Éviter de ramasser des objets durs ou aux arêtes tranchantes avec l'appareil, car ils peuvent l'endommager.
- Ranger l'appareil adéquatement à l'intérieur, dans un endroit sec. Ne pas l'exposer à des températures de gel.
- Ne pas utiliser d'objets aux arêtes tranchantes pour nettoyer le tuyau, car cela risquerait de l'endommager.
- Pour réduire le temps de séchage, s'assurer de bien aérer l'espace nettoyé lorsque cet appareil est utilisé avec des détergents ou d'autres produits nettoyeurs.
- Pour éviter d'aplatir les fibres de la moquette ou de la salir de nouveau, éviter tout contact avec celle-ci jusqu'à ce qu'elle soit sèche. Garder les enfants et les animaux de compagnie éloignés de la moquette jusqu'à ce qu'elle soit complètement sèche.
- Ne pas ranger l'appareil avec le produit nettoyant encore présent dans le réservoir.
- N'UTILISER PAS CET APPAREIL SUR DES PLANCHERS DURS, À MOINS D'AVOIR L'ACCESSOIRE ADÉQUAT. CE FAISANT, VOUS POURRIEZ ÉGRATER OU ENDOMMAGER VOTRE PLANCHER.
- De l'eau s'écoulera de l'outil après l'utilisation et peut s'accumuler. Pour éviter d'endommager les planchers en bois et stratifiés et empêcher qu'ils deviennent glissants, après l'utilisation, (a) ne pas laisser l'appareil sur les surfaces en bois ou stratifiées, mais le déplacer sur une surface dure et (b) le placer sur un matériau absorbant (une serviette, par exemple) permettant d'éponger les déversements.

INSTRUCTIONS DE MISE À LA TERRE :

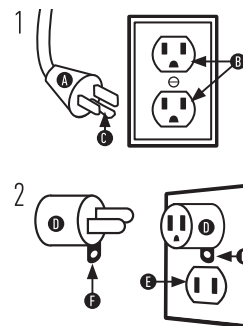
Cet appareil doit être mis à la terre. S'il devait mal fonctionner ou être endommagé, la mise à la terre fournira au courant électrique une résistance

moindre afin de réduire le risque de décharge électrique. Cet appareil est muni d'un cordon électrique comportant un conducteur de protection (C) et une fiche de mise à la terre (A). La fiche doit être insérée dans une prise appropriée (B) qui est bien installée et mise à la terre conformément à tous les codes et règlements locaux.

AVERTISSEMENT :

Le branchement inapproprié du conducteur de protection peut entraîner des risques de décharge électrique. Consultez un électricien ou un technicien qualifié si vous n'êtes pas certain que la prise est bien mise à la terre. Ne modifiez pas la fiche fournie avec l'appareil. Si elle ne s'insère pas dans la prise, communiquez avec un électricien qualifié pour faire installer une prise appropriée.

Cet appareil a été conçu pour être utilisé sur un circuit d'une tension nominale de 120 V. Il est équipé d'une fiche de mise à la terre semblable à la fiche (A) illustrée à la figure 1. Un adaptateur temporaire (D) peut être utilisé pour brancher cette fiche à une prise à deux alvéoles (E), si une prise correctement mise à la terre n'est pas disponible figure 2. L'adaptateur temporaire doit uniquement être utilisé en attendant qu'une prise correctement mise à la terre (B) soit installée par un électricien qualifié figure 1.



La patte, le taquet ou toute autre partie saillante rigide (F) de l'adaptateur doit être correctement connectée à une mise à la terre permanente (G) tel un couvercle de boîte à prises correctement mis à la terre figure 2. Lorsque l'adaptateur est utilisé, il doit être maintenu en place à l'aide d'une vis à métaux. REMARQUE : Au Canada, l'utilisation d'un adaptateur temporaire n'est pas autorisée par le Code canadien de l'électricité.

NE RETOURNEZ PAS LE PRODUIT EN MAGASIN

Contactez l'assistance Dirt Devil^{MD} pour obtenir de l'aide avec votre aspirateur.



Discutez avec nous!

dirtdevil.com/pages/ddcontact

Tous les jours de 8 h à 20 h HNE

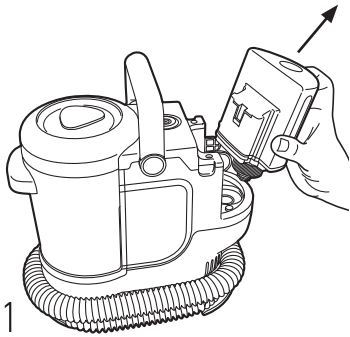
Appelez-nous!

800-321-1134

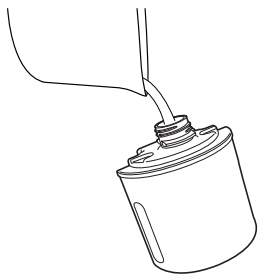
du lundi au vendredi, de 9 h à 18 h (HNE)

POUR COMMENCER

Assemblez complètement le produit avant de l'utiliser.



1 Retirez le réservoir de solution du côté de l'unité, puis retirez le capuchon.



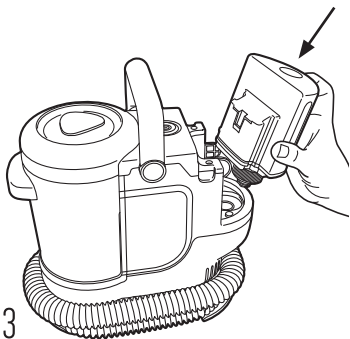
2 Suivez le tableau des proportions de la formule et utilisez les lignes de remplissage incluses sur le réservoir de solution pour ajouter la formule nettoyante.

LIQUIDE DE NETTOYAGE : Utilisez uniquement les solutions Dirt Devil^{MD} testées avec ce produit.

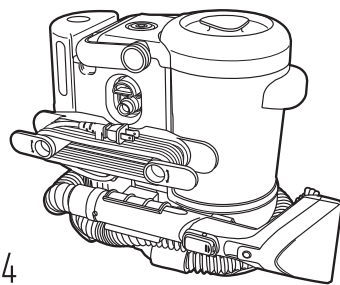
TABLEAU DES RATIOS DES FORMULES

AD13700 Formule concentrée pour animaux domestiques

Taille du réservoir	562 ml (19 oz).
Taches tenaces	Utilisez à 100 % de concentration
Nettoyage général	89 ml (3 oz) de solution



3 Remettez le capuchon et serrez-le. Faites glisser le réservoir à solution pour le remettre en place dans l'appareil.



4 Dérroulez le tuyau. Choisissez l'outil le plus adapté et fixez-le correctement.

REMARQUE : Lisez le mode d'emploi de la formule portable Dirt Devil^{MD} pour le nettoyage des tapis avant de l'utiliser.

MISE EN GARDE : N'utilisez pas l'aspirateur pour toiletter un animal.

MISE EN GARDE : NE PAS UTILISER CET APPAREIL SUR DES PLANCHERS À SURFACE DURE. L'UTILISATION DE CET APPAREIL SUR CE TYPE DE SURFACE RISQUE DE RAYER OU D'ENDOMMAGER LES PLANCHERS.

CONSEIL

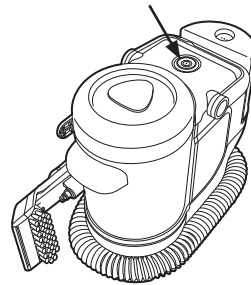
AVANT DE COMMENCER LE NETTOYAGE

- 1 Tout d'abord, utilisez un aspirateur Dirt Devil^{MD} pour bien nettoyer vos tapis et revêtements en tissu. N'utilisez pas le nettoyeur à tapis en guise d'aspirateur classique.
- 2 N'utiliser la shampooineuse Dirt Devil^{MD} que si l'étiquette du tissu porte le code « W » (nettoyage à l'eau) ou « S/W » (solvant/à sec ou à l'eau). Ne pas nettoyer si l'étiquette porte le code « S » (solvant/à sec seulement).
- 3 Tester la résistance des couleurs sur une petite surface hors de vue. Frotter délicatement la surface à l'aide d'un chiffon mouillé. Attendre dix minutes et vérifier si la couleur s'en va, ou essuyer avec une serviette en papier.

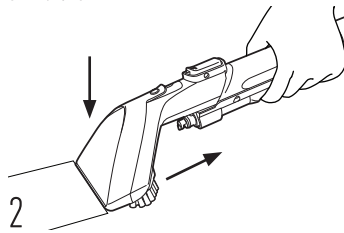
Les outils varient en fonction du modèle.

FONCTIONNEMENT

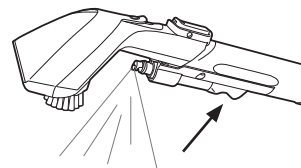
MISE EN GARDE : Ne déplacez pas l'appareil sur des prises de courant au sol. De l'eau s'écoulera de l'outil après l'utilisation et peut s'accumuler. Pour éviter d'endommager les parquets en bois et les planchers lamellés et pour éviter les risques de chute, observez les consignes suivantes après l'utilisation : a) ne laissez pas l'appareil sur les surfaces en bois ou lamellées, mais déplacez-le plutôt sur une surface dure; b) placez l'appareil sur un matériau absorbant (tel qu'une serviette) pour éponger tout excédent d'eau.



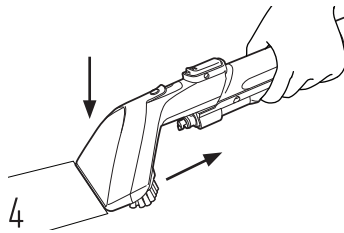
1 Appuyez sur le bouton d'alimentation rouge situé sur le dessus de l'appareil pour le mettre en marche.



2 Retirez tous les morceaux ou gros débris avec un chiffon avant d'utiliser l'appareil. Utilisez l'outil préféré pour aspirer l'excès de liquide de la tache.



3 Tenez l'outil à environ 12,7 cm (5 po) au-dessus de la tache. Appliquez une quantité généreuse de produit nettoyant sur la zone tachée en appuyant sur la gâchette derrière l'accessoire. Frotter la tache en effectuant un mouvement d'avant en arrière.



4 Pour éliminer la tache, aspirez la saleté et la solution de nettoyage en appliquant une pression vers le bas à l'avant de l'accessoire de nettoyage tout en le tirant vers vous. Répétez l'opération si nécessaire.

IMPORTANT : Videz le réservoir de récupération lorsqu'il est rempli à la ligne de remplissage MAX ou lorsque vous entendez un changement audible. Assurez-vous que le réservoir est bien fixé avant le nettoyage.

CONSEIL

POUR OBTENIR DE MEILLEURS RESULTATS

Prétraitez les taches à l'aide d'un traitement spécifique Dirt Devil^{MD} (voir le guide relatif aux solutions de nettoyage Dirt Devil^{MD}) pour faciliter l'élimination des taches les plus tenaces.

Distribuez une quantité généreuse de solution de prétraitement en la vaporisant sur la tache ou la zone très passante.

Suivez toujours les directives spécifiques indiquées sur l'étiquette du produit.

Attendez 5 à 10 minutes avant d'utiliser la machine.

RANGEMENT : Enroulez le cordon autour des crochets destinés à cet effet avant de ranger l'appareil. Fixez la fiche au cordon.

Pour dégager rapidement le cordon, tournez simplement les attaches de cordon de 180 degrés vers la droite ou la gauche.

LUBRIFICATION : Le moteur et le rouleau-brosse sont dotés de roulements contenant une quantité suffisante de lubrifiant pour leur durée de vie. L'ajout de lubrifiant pourrait causer des dommages. C'est pourquoi vous ne devez pas ajouter de lubrifiant dans les roulements du moteur.

ENTRETIEN

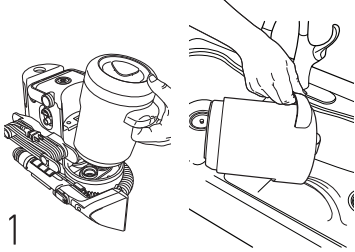
AVERTISSEMENT : Pour réduire les risques de blessures, débrancher l'appareil avant de le nettoyer ou d'en effectuer l'entretien.

AVERTISSEMENT : Pour réduire les risques d'incendie et de décharge électrique causés par des composants internes endommagés, utilisez uniquement les produits nettoyants Dirt Devil^{MD} conçus pour cet appareil, comme il est indiqué. This product contains no serviceable parts.

Ce produit ne contient pas de pièces réparables.

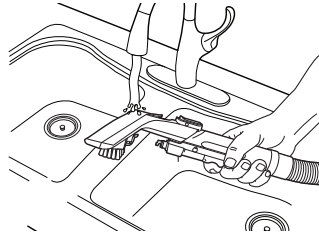
Si l'appareil ne fonctionne pas comme il le devrait, est tombé, est endommagé, communiquez avec le service à la clientèle au **1-800-321-1134** avant de continuer à l'utiliser.

COMMENT NETTOYER LE RÉSERVOIR DE RÉCUPÉRATION

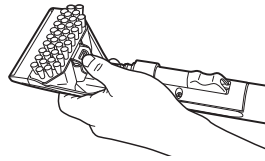


1 Retirez le réservoir d'eau sale en tirant la poignée vers le haut, soulevez le couvercle pour le vider, puis rincez à l'eau propre pour enlever la saleté et les débris du réservoir.

NETTOYAGE DES OUTILS

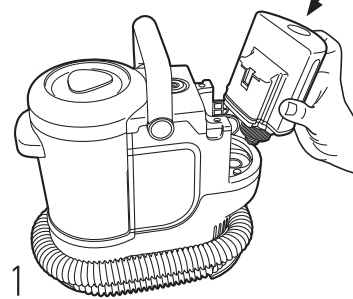


1 Retirez l'outil du tuyau. Rincez l'accessoire à main sous le robinet.

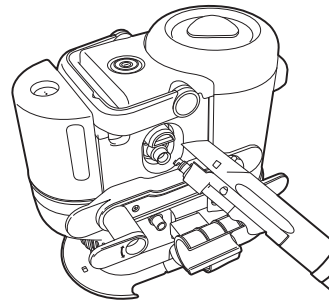


2 Rincez et frottez l'outil ou les outils pour enlever la saleté et les débris coincés à l'intérieur de l'outil ou des outils.

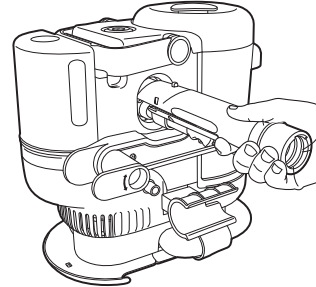
NETTOYAGE DU TUYAU



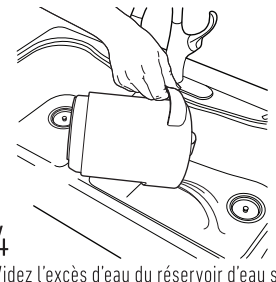
1 Remplissez le réservoir de solution avec de l'eau tiède [max 60 °C (140 °F)] jusqu'à la ligne de remplissage pour les petites surfaces.



2 Retirez tous les accessoires du tuyau et insérez l'extrémité du tuyau dans l'orifice de rinçage intégré.



3 Assurez-vous que les réservoirs de solution et de récupération sont bien fixés sur l'appareil. Allumez l'appareil et appuyez sur la gâchette pendant 5 à 10 secondes. L'eau propre traversera le tuyau rapidement, nettoyant et éliminant efficacement la saleté et les débris accumulés dans le tuyau.



4 Videz l'excès d'eau du réservoir d'eau sale et rincez. Laissez le réservoir sécher à l'air libre avant de le remettre en place.

PROTECTION THERMIQUE :

Votre appareil est équipé d'un rupteur thermique interne afin de le protéger contre la surchauffe. L'appareil cessera de fonctionner si ce rupteur thermique s'active.

Voici ce qu'il faut faire lorsque ceci survient :

1. ÉTEIGNEZ l'appareil et débranchez-le de la prise de courant.
2. Videz le réservoir d'eau sale.
3. Assurez-vous que l'entrée de la buse, le connecteur du tuyau, le tuyau, l'entrée du réservoir d'eau sale et le filtre à rincer ne sont pas obstrués. Dégagez toutes les obstructions visibles.
4. Le rupteur thermique se réinitialisera après le débranchement de l'appareil et après que le moteur a refroidi pendant 30 minutes; vous pourrez à ce moment reprendre le travail.

Votre appareil devra être réparé si le rupteur thermique se réinitialise constamment après avoir respecté les étapes ci-dessus.

DÉPANNAGE

AVERTISSEMENT : Pour réduire les risques de blessures, débrancher l'appareil avant de le nettoyer ou d'en effectuer l'entretien.

PIÈCES DE RECHANGE ET ACCESSOIRES, NOTAMMENT DES SOLUTIONS, DISPONIBLES SUR LE SITE DIRTDEVIL.COM.

SI L'APPAREIL NE FONCTIONNE PAS COMME IL LE DEVRAIT, EST TOMBÉ, EST ENDOMMAGÉ, COMMUNIQUEZ AVEC LE SERVICE À LA CLIENTÈLE AU 1-800-321-1134 AVANT DE CONTINUER À L'UTILISER. IDENTIFIEZ TOUJOURS VOTRE NETTOYEUR PAR LE NUMÉRO DE MODÈLE COMPLET. (LE NUMÉRO DE MODÈLE FIGURE AU BAS DE L'APPAREIL.)

PROBLÈME	CAUSE POSSIBLE	SOLUTION POSSIBLE
L'aspirateur ne fonctionne pas	<ol style="list-style-type: none"> 1. Le cordon d'alimentation n'est pas bien branché dans la prise. 2. Un fusible a sauté ou le disjoncteur s'est déclenché. 3. Réparation nécessaire. 	<ol style="list-style-type: none"> 1. Brancher l'appareil fermement 2. Vérifier le fusible ou le disjoncteur. Remplacer le fusible ou réenclencher le disjoncteur. 3. Consulter notre site Internet à l'adresse www.dirtdevil.com ou appeler le 1-800-321-1134.
L'aspirateur n'aspire pas ou aspire mal	<ol style="list-style-type: none"> 1. Le réservoir de récupération n'est pas installé correctement. 2. Le réservoir de récupération est plein. 3. Le réservoir de récupération est obstrué. 4. La conduite d'air est obstruée. 5. Le filtre à débris du réservoir de récupération est bouché. 	<ol style="list-style-type: none"> 1. Vérifiez le positionnement du réservoir de récupération dans la base du nettoyeur 2. Videz le réservoir de récupération. 3. Nettoyez le réservoir de récupération. 4. Déboucher la conduite d'air. 5. Retirez le filtre à débris et rincez-le soigneusement, puis remettez-le en place.
De l'eau s'écoule de l'appareil	<ol style="list-style-type: none"> 1. Le réservoir de récupération est plein. 2. Le réservoir de récupération n'est pas installé correctement. 3. Le réservoir à solution n'est pas installé correctement. 	<ol style="list-style-type: none"> 1. Vider le réservoir d'eau usée. 2. Vérifiez le positionnement du réservoir de récupération dans la base du nettoyeur. 3. Consultez « Pour Commencer » pour l'installation du réservoir de solution.
L'appareil ne distribue pas d'eau.	<ol style="list-style-type: none"> 1. Le réservoir à solution est vide. 2. Le réservoir à solution n'est pas installé correctement. 3. Réparation nécessaire. 	<ol style="list-style-type: none"> 1. Remplissez le réservoir à solution. 2. Consultez « Pour Commencer » pour l'installation du réservoir de solution. 3. Consulter notre site Internet à l'adresse www.dirtdevil.com ou appeler le 1-800-321-1134.
La buse du tuyau ne pulvérisera pas après avoir rempli le réservoir d'eau propre ou le réservoir de solution.	<ol style="list-style-type: none"> 1. L'air est bloqué dans la pompe et le tuyau. 	<ol style="list-style-type: none"> 1. Mettre la shampooineuse en marche. Si le tuyau ne pulvérise pas le produit, amorcer la pompe en abaissant le tuyau jusqu'au sol et maintenir la gâchette jusqu'à 1 minute.
Le bruit du moteur devient aigu	<ol style="list-style-type: none"> 1. Le réservoir de récupération est plein. 2. Le réservoir de récupération est obstrué. 3. La conduite d'air est obstruée. 4. Le flotteur du réservoir d'eau usée a été actionné. 	<ol style="list-style-type: none"> 1. Videz le réservoir de récupération. 2. Nettoyez le réservoir de récupération. 3. Désobstruer la conduite d'air. 4. Passez en revue la section sur le nettoyage du réservoir de récupération.

GARANTIE

GARANTIE LIMITÉE POUR LES PRODUITS DIRT DEVIL^{MD} / GARANTIE LIMITÉE DE UN AN (UTILISATION DOMESTIQUE)

Si le présent produit ne fonctionne pas comme il a été annoncé, communiquez avec le service à la clientèle de TTI Floor Care North America en composant le 1 800 321.1134. Assurez-vous d'avoir en main la preuve d'achat et le numéro de modèle du produit couvert par la garantie.

Le fait de ne pas enregistrer le produit ne diminue pas les droits de garantie du produit.

ÉLÉMENTS COUVERTS PAR LA PRÉSENTE

GARANTIE : Cette garantie limitée fournie par Royal Appliance Mfg. Co., exerçant ses activités sous TTI Floor Care North America (appelée « garant » ci-après) s'applique uniquement aux produits achetés aux États-Unis (y compris ses territoires et possessions), au Canada et par l'intermédiaire du programme d'échanges militaires américain. Ce produit est garanti pour des conditions normales d'utilisation et d'entretien domestiques, comme le stipule le Guide d'utilisation, contre les défauts de matériaux et de fabrication pour une période complète de UN an à compter de la date d'achat (ci-après la « période de garantie »). Si le garant détermine que le problème que vous rencontrez est couvert en vertu des modalités de cette garantie (une « réclamation couverte par la garantie »), nous prendrons l'une des mesures suivantes à notre entière discrétion et sans frais (sous réserve du coût d'expédition) : i) nous réparerons votre produit, ii) nous vous expédierons un produit de rechange, selon la disponibilité des produits, ou iii) nous vous enverrons un produit similaire de valeur égale ou supérieure dans le cas où les pièces ou le produit de rechange applicables ne sont pas raisonnablement disponibles. Dans le cas peu probable où nous serions incapables de réparer votre produit ou d'expédier un produit de rechange ou un produit similaire, nous nous réservons le droit, à notre entière discrétion, de vous offrir un remboursement ou un crédit en magasin (le cas échéant) équivalant au prix d'achat réel en date de l'achat initial, comme indiqué sur le reçu de vente original. Les pièces de rechange peuvent être nouvelles, remises à neuf, légèrement utilisées ou réusinées, à l'entière discrétion du garant.

PERSONNES COUVERTES PAR LA PRÉSENTE

GARANTIE : La présente garantie limitée s'applique uniquement à l'acheteur original, avec une preuve d'achat provenant du garant ou d'un détaillant autorisé des produits du garant aux États-Unis, au Canada et par l'intermédiaire du programme d'échanges militaires américain.

ÉLÉMENTS NON COUVERTS PAR LA

PRÉSENTE GARANTIE : La présente garantie ne couvre pas toute utilisation commerciale du produit (p. ex., utilisation dans le cadre de services ménagers, de conciergerie ou de location de matériel ou de toute autre activité générant un revenu), l'entretien

inadéquat du produit, l'utilisation inadéquate du produit, la négligence, les actes de vandalisme ou l'utilisation d'une tension électrique autre que celle indiquée sur la plaque signalétique de ce produit. La présente garantie ne couvre pas les dommages résultant d'un cas de force majeure, d'un accident, d'actes ou d'omission de la part du propriétaire, de l'entretien de ce produit autre que par le garant ou un fournisseur de service autorisé par le garant (le cas échéant) ou en raison d'autres actes qui sont hors du contrôle du garant. La présente garantie ne couvre pas non plus l'utilisation à l'extérieur du pays d'achat initial du produit ni sa revente par le propriétaire original. La présente garantie ne couvre pas le ramassage, la livraison, le transport et la réparation à domicile. De plus, elle ne couvre pas les produits qui ont été modifiés ou les réparations nécessaires en raison de l'usure normale ou de l'utilisation d'autres produits, pièces ou accessoires qui sont incompatibles avec ce produit ou qui nuisent à son fonctionnement, à son rendement ou à sa durabilité. Les articles ayant une usure normale ne sont pas couverts par cette garantie. Selon le produit, les articles ayant une usure normale peuvent comprendre, sans s'y limiter, les courroies, les filtres, les rouleaux-brosses, les ventilateurs soufflants, le souffleur et les tuyaux d'aspirateur, les sacs d'aspirateurs et les attaches.

AUTRES CONDITIONS IMPORTANTES : La présente garantie n'est pas transférable et ne peut être cédée; toute cession effectuée en violation de cette interdiction est annulée. La présente garantie sera régie et interprétée selon les lois de l'État de la Caroline du Nord. La période de garantie ne peut pas être prolongée par une réparation ou un remplacement des piles, des pièces ou des produits exécuté en vertu de la présente garantie.

LA PRÉSENTE GARANTIE LIMITÉE EST L'UNIQUE GARANTIE ET RECOURS ET TOUTE GARANTIE EXPLICITE OU IMPLICITE AUTRE QUE LA GARANTIE LIMITÉE PRÉSENTÉE CI-DESSUS, Y COMPRIS LES GARANTIES IMPLICITES DE QUALITÉ MARCHANDE ET DE CONVENANCE À UNE FIN PARTICULIÈRE, EST EXPRESSÉMENT DÉCLINÉE. LE GARANT NE POURRA EN AUCUN CAS ÊTRE TENU RESPONSABLE DE TOUT DOMMAGE INTÉRÊT SPÉCIAL OU DOMMAGE INDIRECT, ACCESSOIRE OU CONSÉCUTIF DE QUELQUE NATURE QUE CE SOIT SUBI PAR LE PROPRIÉTAIRE DU PRODUIT OU PAR TOUTE PARTIE RÉCLAMANT PAR L'INTERMÉDIAIRE DU PROPRIÉTAIRE, QU'ILS RELÈVENT DE LA RESPONSABILITÉ CONTRACTUELLE, DE LA NÉGLIGENCE, DE LA RESPONSABILITÉ CIVILE DÉLICTUELLE OU DE LA RESPONSABILITÉ STRICTE DU FAIT DES PRODUITS, OU QU'ILS DÉCOULENT DE QUELQUE CAUSE QUE CE SOIT, MÊME SI LA PRÉSENTE GARANTIE N'ATTEINT PAS SON OBJET ESSENTIEL. DANS LES LIMITES PERMISES PAR LA LOI APPLICABLE, AUCUNE GARANTIE RÉSULTANT D'UNE THÉORIE JURIDIQUE, LE CAS ÉCHÉANT, NE

PEUT DÉPASSER LA DURÉE DE LA GARANTIE LIMITÉE AUX PRÉSENTES. La responsabilité du garant à votre endroit pour tous les coûts, quels qu'ils soient, découlant de cette déclaration de garantie limitée se limite au montant payé pour ce produit au moment de l'achat initial.

Certains États n'autorisent pas l'exclusion ni la restriction des dommages indirects ou accessoires, l'exclusion de garanties implicites ou les limites de durée d'une garantie implicite; par conséquent, les restrictions ou exclusions précédentes peuvent ne pas s'appliquer. La présente garantie vous donne des droits précis. Vous pouvez également avoir d'autres droits, lesquels varient d'une province à l'autre.

PIÈCES ET ACCESSOIRES D'ORIGINE : Nous vous recommandons d'utiliser uniquement des solutions (pour les shampooineuses), des pièces et des accessoires d'origine Dirt Devil^{MD}. Les dommages causés par l'utilisation d'autres solutions, pièces et accessoires que celles d'origine Dirt Devil^{MD} ne sont pas couverts par votre garantie et peuvent l'annuler.