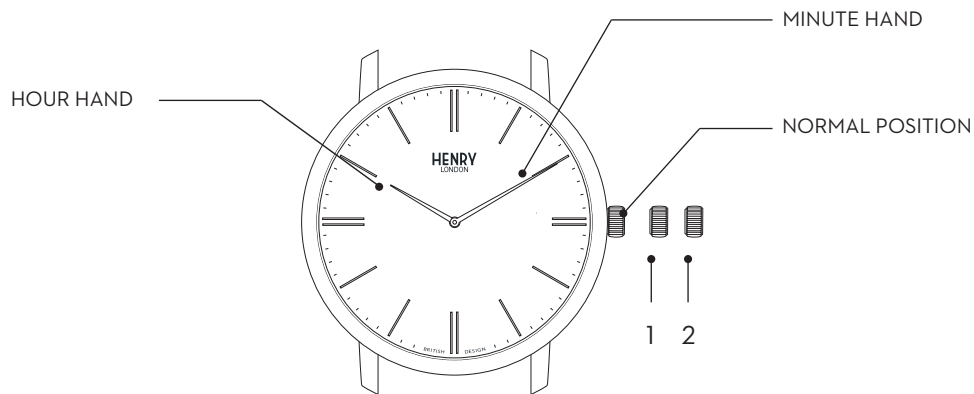


# REGENCY TWO HAND - 34MM

Your Henry London watch is designed in England & manufactured to the very highest of standards. These instructions are provided to ensure your watch gives you excellent service, please read them carefully & retain them for future reference.

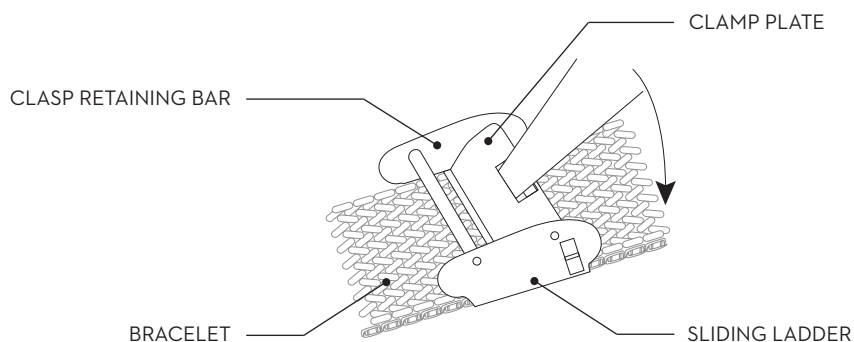


## SETTING THE TIME

1. Pull the crown out to position 1.
2. Turn the crown clockwise to set hour and minute hands.
3. Push the crown back into its normal position.

## MESH BRACELET ADJUSTMENT

If your Henry London watch has a mesh bracelet, please follow these instructions to ensure you get a perfect fit. Unlock clamp plate by using an appropriate tool. Move the entire clasp to adjust length by sliding along the bracelet. Adjust length while wearing the watch to make sure you get a good fit. Make sure the clasp locates into a molded indent on back of bracelet. Lock clamp plate in position by pressing it into place using your thumb. Do not use retaining bar to gain leverage as this will cause damage preventing the clasp to lock.

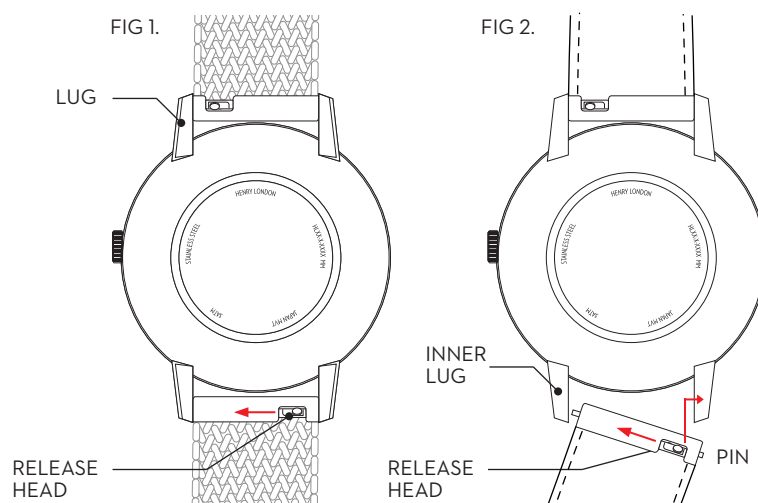


# REGENCY TWO HAND - 34MM

## QUICK RELEASE STRAP

Our Regency cases are fitted with quick release straps, allowing you to quickly & easily change straps to update the look of your watch.

1. To remove strap, slide the release head to the left as figure 1.
2. To replace strap, put the left hand pin into the hole in the inner lug as figure 2. Slide the release head to the left and locate the right hand pin into the hole in the right lug.
3. Once in place, release the head & check the pin is secure.



Visit [WWW.HENRY-LONDON.COM](http://WWW.HENRY-LONDON.COM) to view the range of straps & bracelets available for your watch.

## CARE & MAINTENANCE

All watch maintenance, including battery replacement requires specialist tools and expertise so should only be undertaken by a qualified technician, any repairs not carried out by a qualified technician may cause damage to your watch and invalidate the guarantee.

Your watch is designed to withstand accidental water damage. Limited exposure to water, such as accidental water splashes will not damage your watch, but it is not suitable for showering, bathing or swimming.

Clean your watch regularly with a soft cloth to maintain good condition. Keep your watch dry and away from wet surfaces, do not use chemical cleaners on your strap and avoid contact with cosmetic products. Visit our website for more information.

Your Henry London watch is guaranteed for two years and in the unlikely event your watch develops a fault please contact the retailer where your watch was purchased. If you purchased your watch from the Henry London online store, please contact our helpful customer service team at [customerservice@henry-london.com](mailto:customerservice@henry-london.com) or call +44 (0)121 524 1400 during our business hours of Monday - Friday, 8.30 - 5.00 GMT.

## TERMS & CONDITIONS

Your 24 month guarantee does not cover the following: 1. Replacement batteries. 2. Damage resulting from accidents, or mishandling to any part of the watch. 3. Replacement straps or bracelets (unless due to fault). 4. Damage to lens. 5. Water penetration or damage. 6. Tarnishing of the watch bracelet or case. Your statutory rights are not affected.