

SeeStation

Coax Video Transmission Operation Instruction

SS- SCMOD4x1
SS- SCMOD8x1
SS-SCMOD4X1RS (w/RS485)
SS-SCMOD8X1RS (w/RS485)

1.) Introduction

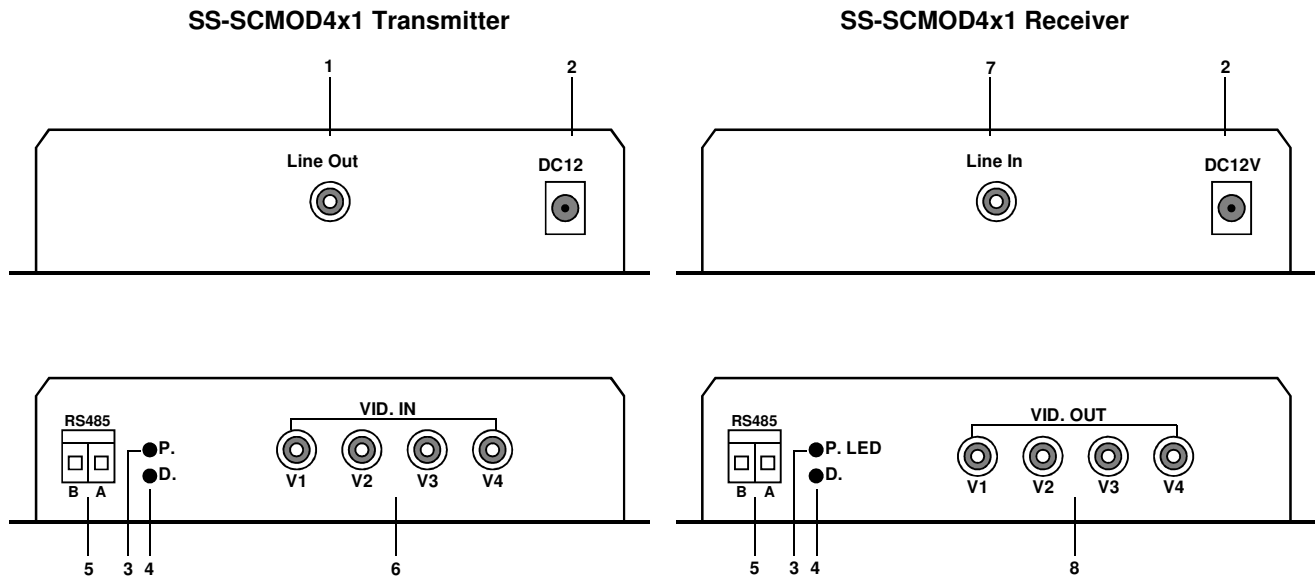
This product combines the video signals of multiple cameras as well as a RS485 camera control signal into one coaxial transmission cable (*RS485 is optional*).

It uses a frequency division multiplexing technique, which means the control signal and the video signals are assigned different frequencies. These signals are modulated together and transmitted to the receiver.

It can transmit 4 individual signals as well as the RS485 control signal (*optional*) in one coaxial cable. It can transmit this signal up to 600 meters (approx. 1900 feet) using common video cable. This saves on the amount of cable needed for an install.

Some of the best features of this product are clear image, easy installation and cable cost savings. It has solved the issues sending signal transmission over a long distance, greatly extending distance.

2.) Panel Structure Chart



3.) Ports:

1. Line Out (To Receiver)
2. DC12V power supply input
3. Data LED
4. Power LED
5. Transmitter-RS485 Device Connection (*Optional*)
5. Receiver-RS485 Keyboard Connection (*Optional*)
6. Video in - camera connections
7. Line In (From Transmitter)
8. Video out - connected to monitors or DVR.

4.) Product Features:

- Using this equipment on a new project can save costs on your cable budget as well as easing the effort to hide multiple cables.
- When reconfiguring an existing build, more cameras can be added to a single run, saving the time and effort of adding more cable runs where it may not be possible.
- Saving time by eliminating the need to run an extra RS485 control wire (*when equipped.*)
- Long distance video transmission with less chance of degraded signals.
- Built-in anti-static protection circuits. Signal isolation modules. This provides effective protection against external static.
- Modular design for easy installation
- Five Channel coaxial bi-directional video transmission.
- Extended transmission distances. 600 meters to 800 meters depending on cable type.
- Modulated signal is effective against many kinds of interference.
- Real-time image transmission, no dropped frames or delay.
- Simple wiring, easy, low cost, reduced installation time.

5.) Adjustments:

No adjustment necessary. Just connect power.

6.) Attention:

- Before using this equipment, please carefully read the description of the device
- Install only in strict accordance with regulations
- Note that the equipment **not** is waterproof or moisture proof. Please handle with care
- Please use stable power supply voltage DC12V
- Please install the device at an appropriate height to avoid damage, electric shock
- Before plugging-in power, please verify your voltage and polarity.
- Be certain you have a firm cable connection. A loose connection can result in poor video quality.
- If this device fails, please do not open the device. Please contact your sales person.