

AL100UL

Linear Power Supply/Charger

Altronix AL100UL linear power supply/charger converts a low voltage input into a 12VDC power-limited output.



AL100UL

Specifications

Input

Voltage 16.5VAC, 20VA from UL Listed Class 2 transformer (sold separately)

Output

Voltage 12VDC
 Current 750mA power-limited continuous max.
 Other Short circuit and thermal overload protection
 Filtered and regulated

Battery Charging

Capacity 4AH/12VDC (1 or 2 within enclosure);
 12AH/12VDC (requires separate enclosure)
 Type Sealed lead acid or gel type
 Failover Upon AC loss, instantaneous
 Batteries are sold separately

Supervision

AC Failure Form "C" contacts
 Battery Form "C" contacts

Indicators (LED)

Input AC Input is present
 DC Output Powered

Agency Listings

UL
 UL603 Burglar Alarm System Power Supply
 cUL CSA Standard C603-M1988,
 Burglar Alarm System

Physical and Environmental

Dimensions (H x W x D)

Enclosure:
 8.5" x 7.5" x 3.5" (215.9mm x 190.5mm x 88.9mm)
 Shipping:
 13" x 10" x 7" (330.2mm x 254mm x 177.8mm)

Weights (approx.):

Product: 6.4 lb. (2.90 kg)
 Shipping: 6.9 lb. (3.13 kg)

Temperature

Operating: 0°C to 49°C (32°F to 120°F)
 Storage: -20°C to 70°C (-4°F to 158°F)

Relative Humidity 85% +/- 5%

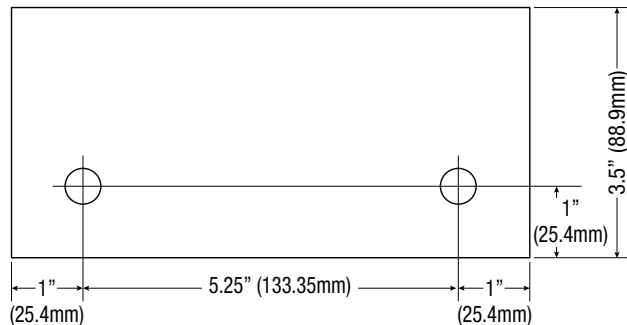
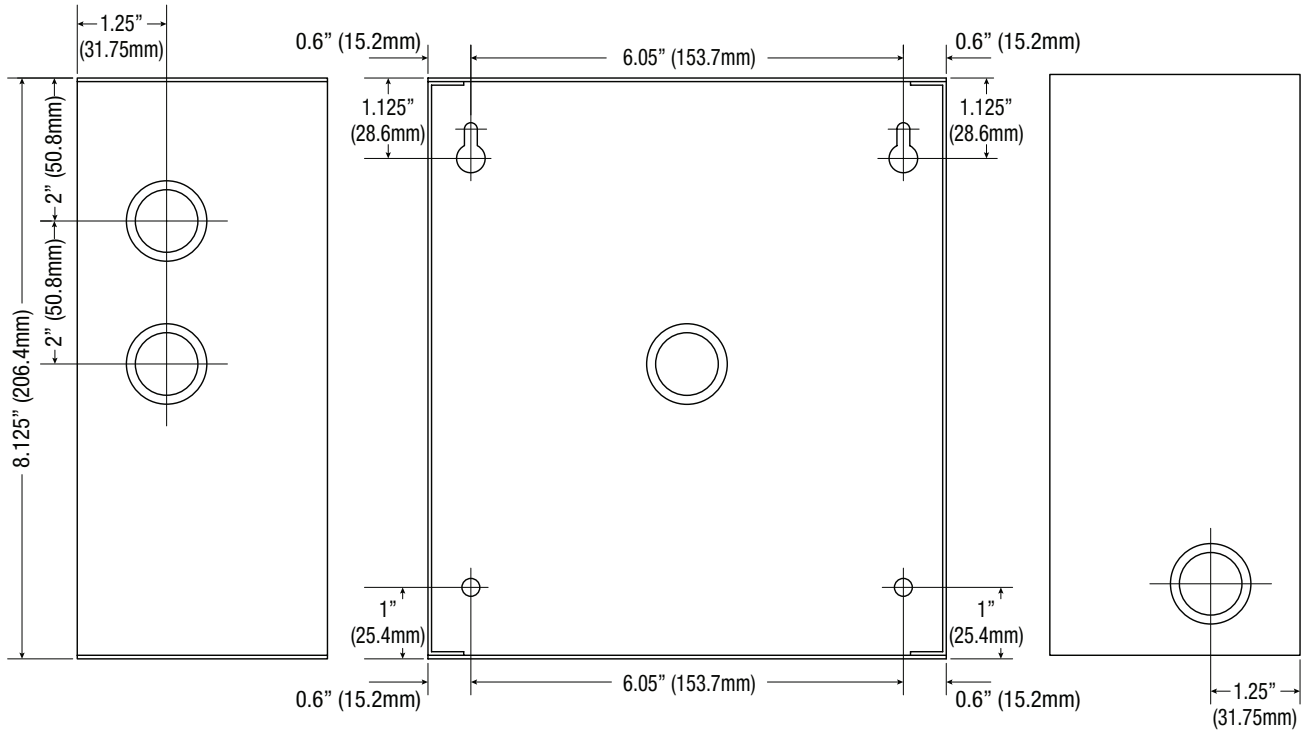
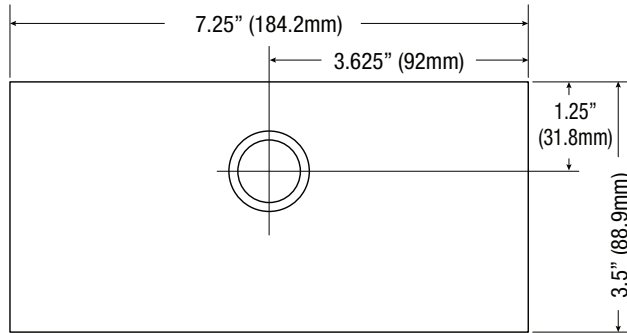
BTU/Hr. (approx.): 5 BTU/Hr.

Lifetime Warranty

Dimensions and Drawing

Dimensions (H x W x D approximate)

8.5" x 7.5" x 3.5" (215.9mm x 190.5mm x 88.9mm)



Lifetime Warranty