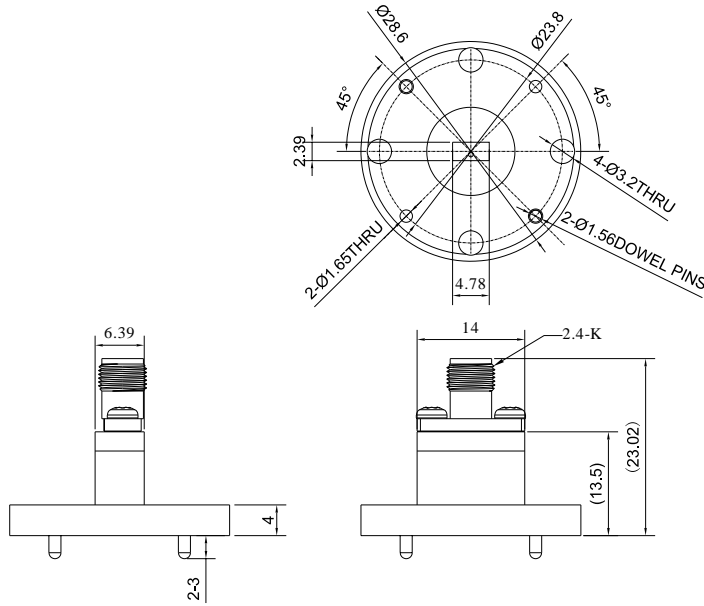


WR-19 to 2.4mm Female Straight Waveguide to Coax Adapters with UG-383/U Flange, 39.2 - 52GHz

WR19/2.4-UG-K-T



Dimensions are in mm

Product Configuration

Body Style	Straight
Flange Designation	UG-383/U
Waveguide Size	WR-19
Connector Series	2.4mm
Connector Polarity	Standard
Connector Gender	Female
Connector Impedance (Ohm)	50

Electrical Specifications

VSWR	1.4
Insertion Loss	≤0.5
Frequency Range	39.2-52GHz

Mechanical Data

Weight (g)	27.35 g
Body Material	Brass

Environmental Specifications

RoHS Compliant	Yes
Operating Temperature Range	-30 °C to +70 °C