

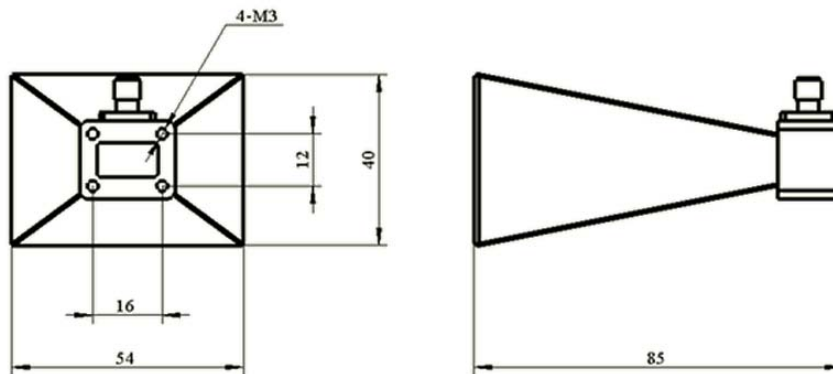
Electrical Specifications

Frequency Range, GHz	18-26
Impedance, Ohms	50
Gain[dBi]	20(Typical)
VSWR Max.	1.4
Beam Width(E*H)	18° X18° (Typical)

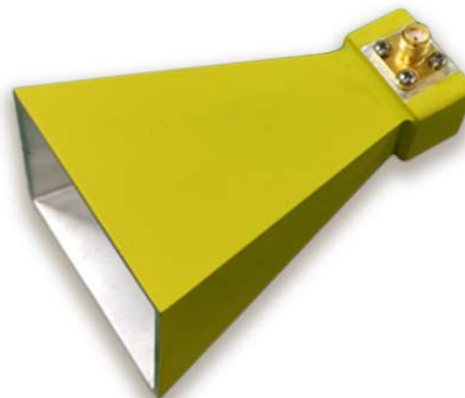
Mechanical Specifications

Conn.Type	SMA Female
Size[mm]	40 X 54 X 85
Operating Range deg.[C]	-55 ~ +75

Outline Drawing (Dimensions are in mm)

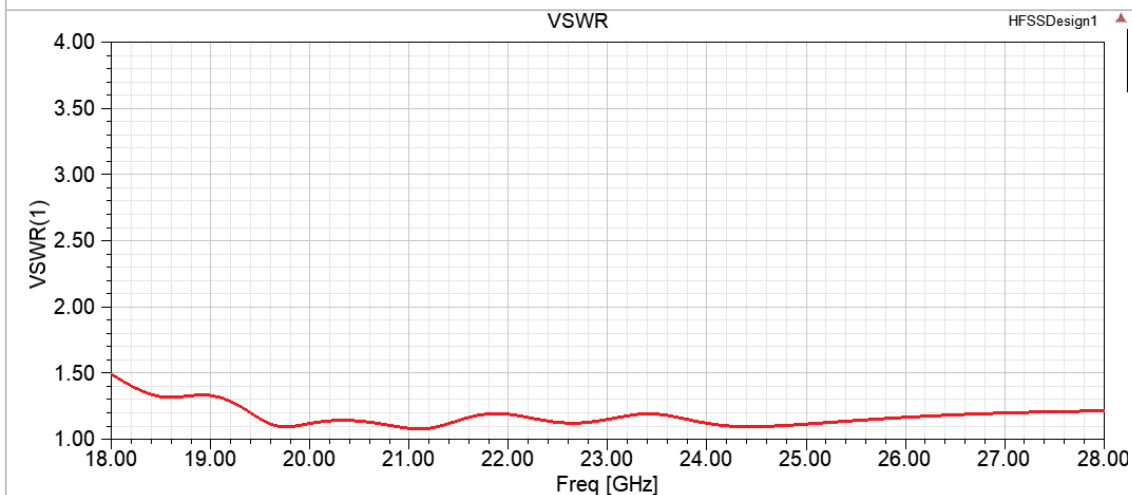


Product Picture

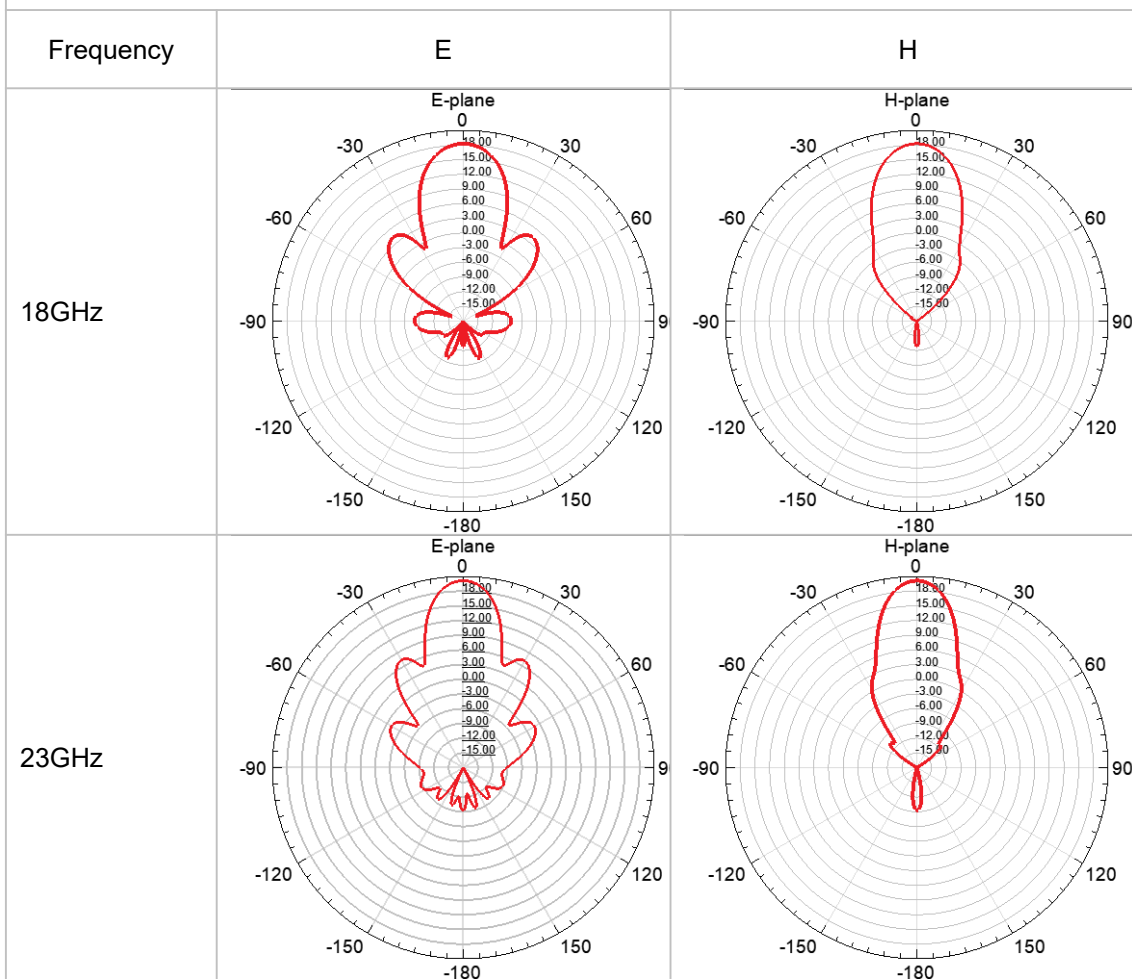


Test Report

VSWR test



Antenna Pattern

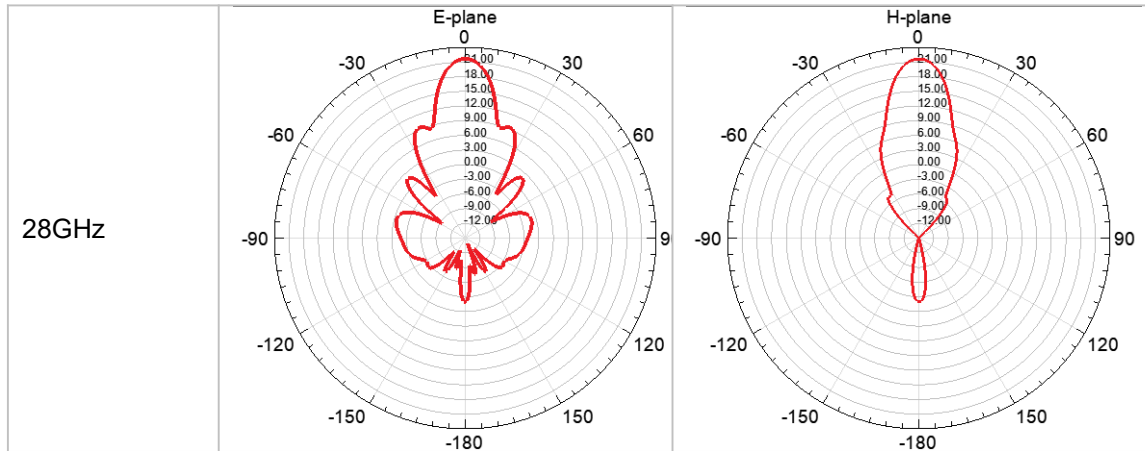


ANTENNA DATASHEET



HORN ANTENNA

GHA180260-SMF-20



While the information has been carefully compiled to the best of our knowledge, nothing is intended as representation or warranty or our part and no statement herein shall be construed as recommendation to infringe existing patents. In the effort to improve our products, we reserve the right to make changes judged to be necessary.