

C.C.Rider Seat

Installation Instruction

Part Number: S10

WARNING

Rider and passenger safety depend upon the correct installation of this kit. Improper installation of this kit could result in death or serious injury.

Do not install these seat kits on motorcycles that are not equipped with an appropriate grab strap and passenger footpegs. If footpegs and grab strap are not installed, passengers could fall from a moving motorcycle or grab onto the operator, causing loss of control and death or serious injury.

NOTE

Solo seat kits do not include a grab strap. After installing a solo seat kit, remove passenger footpegs.

INSTALLATION

1. See Figure 1. Remove seat.
 - a. Remove seat retention screw (3).
 - b. Slide seat (1) rearward to release from seat retention tab (2).
 - c. Slide seat forward above the fuel tank.
 - d. Pull seat forward.
2. See Figure 2. Remove screws and washers (2) and grab strap (1).
3. New Two-Up Seat: Install new grab strap.
 - a. Select hole (4). Align with mounting holes. Secure with screws and washers (2).
 - b. Select hole (3). Align with mounting holes. Secure with screws and washers (2).
 - c. Tighten.
4. Install seat.
 - a. Insert rear of the seat.
 - b. Slide seat forward and on to seat retention tab (3).
 - c. Install seat retention screw (3). Tighten.
5. Check that seat is installed securely.

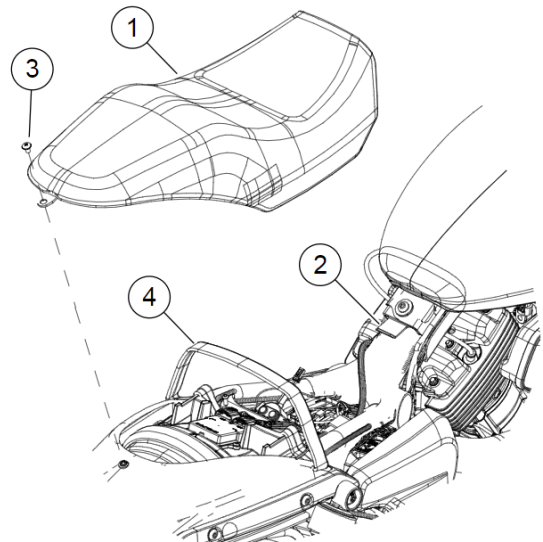


Figure 1.

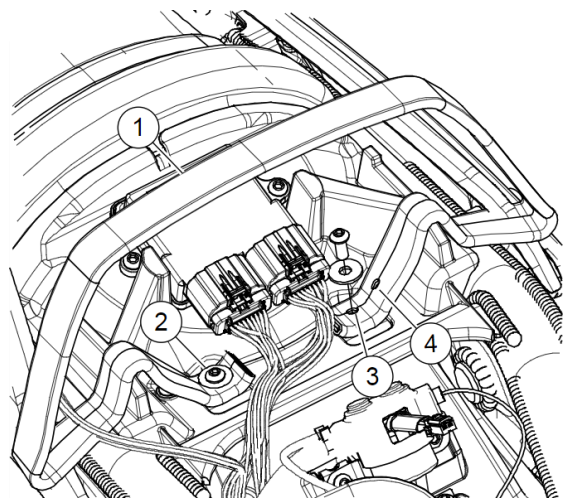


Figure 2.