

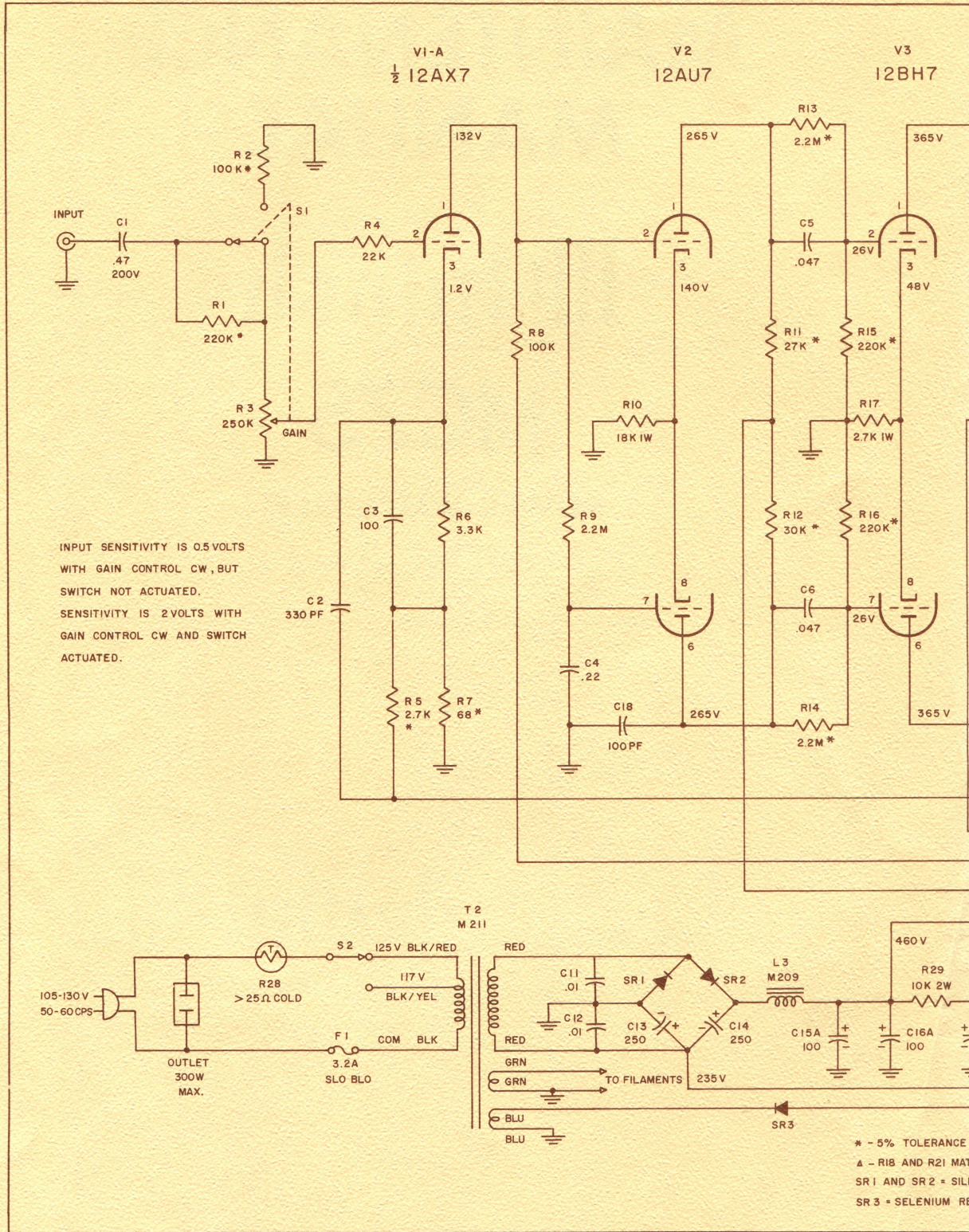
# **MAINTENANCE MANUAL**

## **McIntosh**

### **MC75**

**POWER AMPLIFIER**

**(Serial No's. 100B1 and above)**

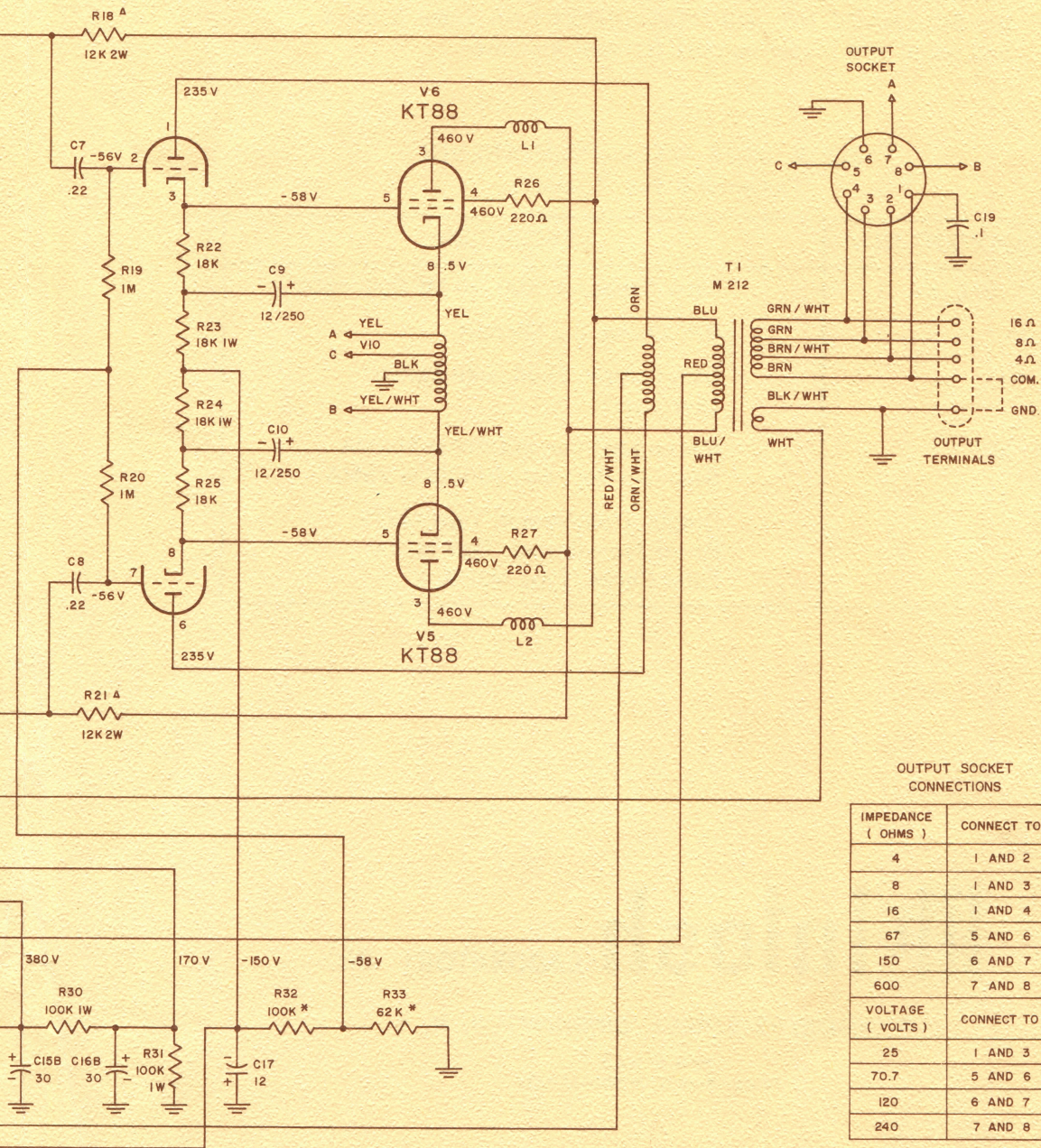


INPUT SENSITIVITY IS 0.5 VOLTS WITH GAIN CONTROL CW, BUT SWITCH NOT ACTUATED. SENSITIVITY IS 2 VOLTS WITH GAIN CONTROL CW AND SWITCH ACTUATED.

\* - 5% TOLERANCE  
Δ - R18 AND R21 MAT  
SR 1 AND SR 2 = SILI  
SR 3 = SELENIUM RE

REV	C N	REVISION	DATE	BY	CHKD	APPD
A						
B						
C						

V4  
12AZ7 or 12AT7



OUTPUT SOCKET CONNECTIONS

IMPEDANCE ( OHMS )	CONNECT TO
4	1 AND 2
8	1 AND 3
16	1 AND 4
67	5 AND 6
150	6 AND 7
600	7 AND 8
VOLTAGE ( VOLTS )	CONNECT TO
25	1 AND 3
70.7	5 AND 6
120	6 AND 7
240	7 AND 8

RESISTORS  
MATCHED WITHIN 1%  
SILICON RECTIFIERS, 600 PIV @ 500MA  
RECTIFIER, 400 PIV @ 65 MA

ON DWG

MATERIAL	TITLE	PART NO.
FINISH	MCT5 SCHEMATIC	USED ON:
TOLERANCES - Unless otherwise specified: ± 1/2" Angles, ± 1/4 Frontiers, ± .005 Decimals	SCALE	DATE   2-5-63
	DRAWN BY   A.D.C.	DATE   2-5-63
	CHKD   B.B.	APPD
		DWG NO.   SC122 D157
		REV

Table 1. MC75 VOLTAGE AND RESISTANCE CHART  
(Schematic No. 154049) )

Tube	Pin No.	DC Volts No. Signal	AC Volts at rated output	Resistance in Ohms Unit Off
12AX7 (V1)	1	132	2.1	150K*
	2	0	.47	22K
	3	1.2	.44	3.3K
	4 & 5	0	0	0
	6	0	0	0
	7	0	0	0
	8	0	0	0
	9	0	6.3	—
	12AU7 (V2)	1	265	12
2		132	2.1	150K
3		140	.96	18K
4 & 5		0	0	0
6		265	12	38K*
7		105	0	2.4M*
8		140	.96	18K
9		0	6.3	0
12BH7 (V3)		1	365	152
	2	26	12	200K
	3	48	.7	2.7K
	4 & 5	0	0	0
	6	365	152	12K
	7	26	12	200K
	8	48	.7	2.7K
	9	0	6.3	0
	12AT7/12AZ7 (V4)	1	235	112
2		-56	152	1M
3		-58	149	220K
4 & 5		0	0	0
6		235	112	30**
7		-56	152	1M
8		-58	149	220K
9		0	6.3	0
KT88/6550 (V5, V6)		1	—	—
	2	0	0 or 6.3	0
	3	460	116	20*
	4	460	112	240*
	5	-58	149	220K
	6	—	—	—
	7	0	6.3 or 0	0
	8	.5	116	14

\*This resistance measured with condenser C15A shorted to ground.

\*\*This resistance measured with condenser C13 shorted to ground.

High impedance VTVM is used to measure the operating voltages.

Special components used in the MC75 are listed below. These components are designed and built specifically for the MC75. They may be purchased directly from Customer Service, McIntosh Laboratory Inc. When you order parts be sure to give the SCHEMATIC NO. and DESCRIPTION from Table 2 below, and serial and model number for your amplifier.

TABLE 2. MC75 SPECIAL COMPONENTS  
(Schematic No. 154049)

COMPONENT NO.	DESCRIPTION
C15A, B; C16A, B	Filter Capacitor, 100/30 MF 500/450V
L1, L2	R.F. Choke, 2.2 Micro H.
R3 (S1)	Gain Control, 250K, with Switch
R28	Thermistor
SR1, SR2	Silicon Rectifier, 600PIV at 500MA
SR3	Selenium Rectifier, 400PIV at 75MA
T1	Output Transformer, Type M212.
T2	Power Transformer, Type M211.
T3	Filter Choke, Type M209.

# McIntosh

LABORATORY INC.

2 CHAMBERS STREET, BINGHAMTON, N. Y.

Made in U.S.A.

Phone—Area Code 607-723-5491