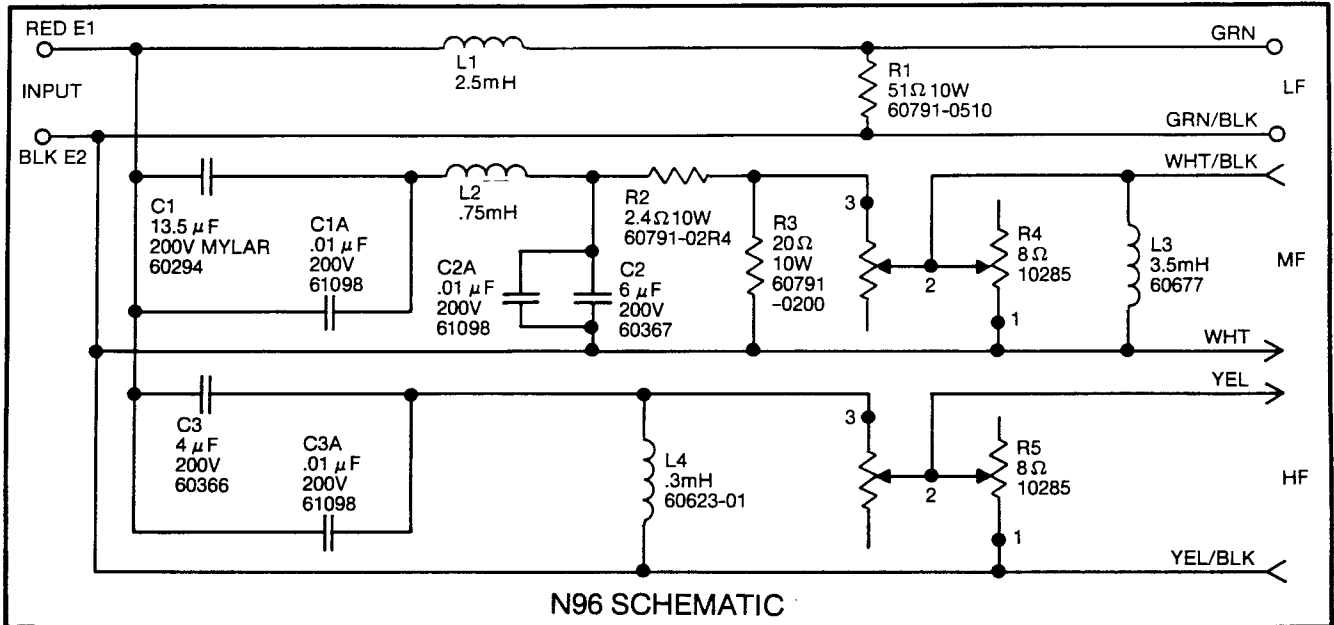


Technical Manual

L96 Delta



SYSTEM COMPONENTS:

LOW FREQUENCY DRIVER:	LE10H-1
Cone Kit:	C8RLE10H-1
Nom. Impedance:	8 Ohm
Dynamic Test Input V:	6
Sweep Frequency Hz:	20-1200
D.C. Resistance Ohms:	4.3 minimum 5.2 maximum
Gap Gauge:	.053"
Notes:	Aquaplas On Back Of Cone
If Not Serviceable, Replace With:	Currently Available
Visual Change:	N/A
Baffle Modification:	N/A
Exact Acoustic Replacement:	N/A
Additional Parts Currently Available*:	
Dome:	31385
Mounting Gasket:	21770
Trim Gasket:	21813
MID RANGE DRIVER:	LE5-12
Cone Kit:	C8RLE510
Nom. Impedance:	8 Ohm
Dynamic Test Input V:	4
Sweep Frequency Hz:	75-3000
D.C. Resistance Ohms:	4.9 minimum 6.1 maximum
Gap Gauge:	.040"
Notes:	
If Not Serviceable, Replace With:	Currently Available
Visual Change:	N/A
Baffle Modification:	N/A
Exact Acoustic Replacement:	N/A
Additional Parts Currently Available*:	

MID RANGE DRIVER (Cont'd)

Dome:	51686
Mounting Gasket:	21771
Trim Gasket:	29931
Terminal Board:	53225

HIGH FREQUENCY DRIVER:

Diaphragm Kit:	044
Nom. Impedance:	D8R044
Dynamic Test Input V:	8 Ohm
Sweep Frequency Hz:	2
D.C. Resistance Ohms:	2000-12000
	5.4 minimum 6.6 maximum

Gap Gauge: .032"
Notes: Test With Network

If Not Serviceable,
Replace With: Currently Available

Can also be replaced w/034

Visual Change:	Yes
Baffle Modification:	Yes
Exact Acoustic Replacement:	No. Use as a last resort. Replace both units in a stereo pair.

Additional Parts Currently Available*:

Mounting Gasket:	62511
Screen:	60424
Screen Gasket:	60752

SYSTEM SPECIFICATIONS:

Nominal Impedance:	8 Ohm
Max Recommended	
Amp Power:	250 Watts Per Channel
Crossover Frequencies:	1100 Hz, 3700 Hz
Sensitivity:	89dB (1 Watt @ 1 Meter)
Enclosure Dim:	23-1/2" x 14-1/4" x 11-3/4" D 597mm x 362mm x 298mm
Shipping Weight:	52 lbs. - 24 kg.
Additional Parts Currently Available*:	
Binding Posts: Red:	56131
Black:	56130

*Other parts may also be available. Check with JBL for details.