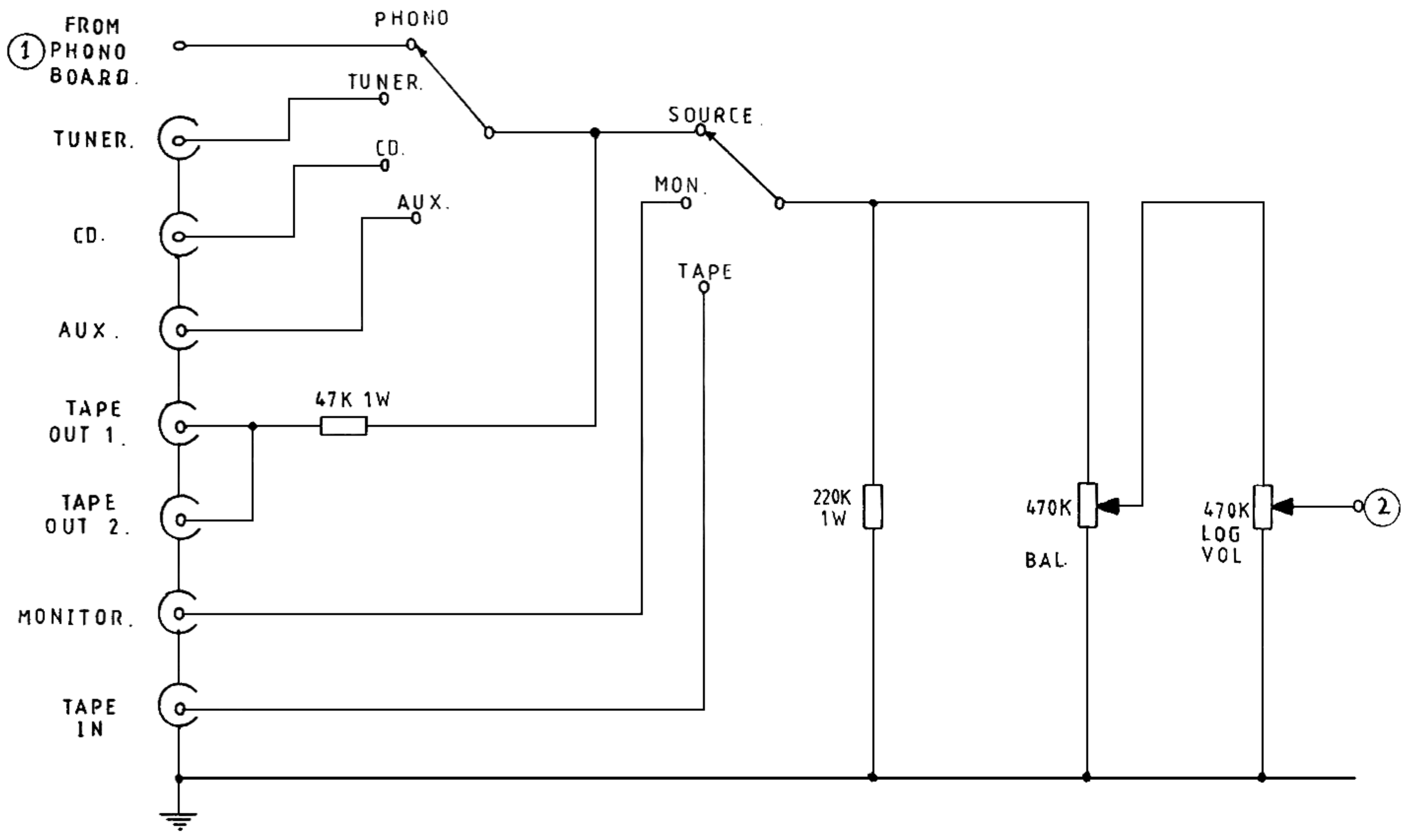


CIRCUIT CORRESPONDS TO PCB 'B'

(J) - 80-90V    (K) - 0.6V    (L) - 125V    (M) - 0.8V

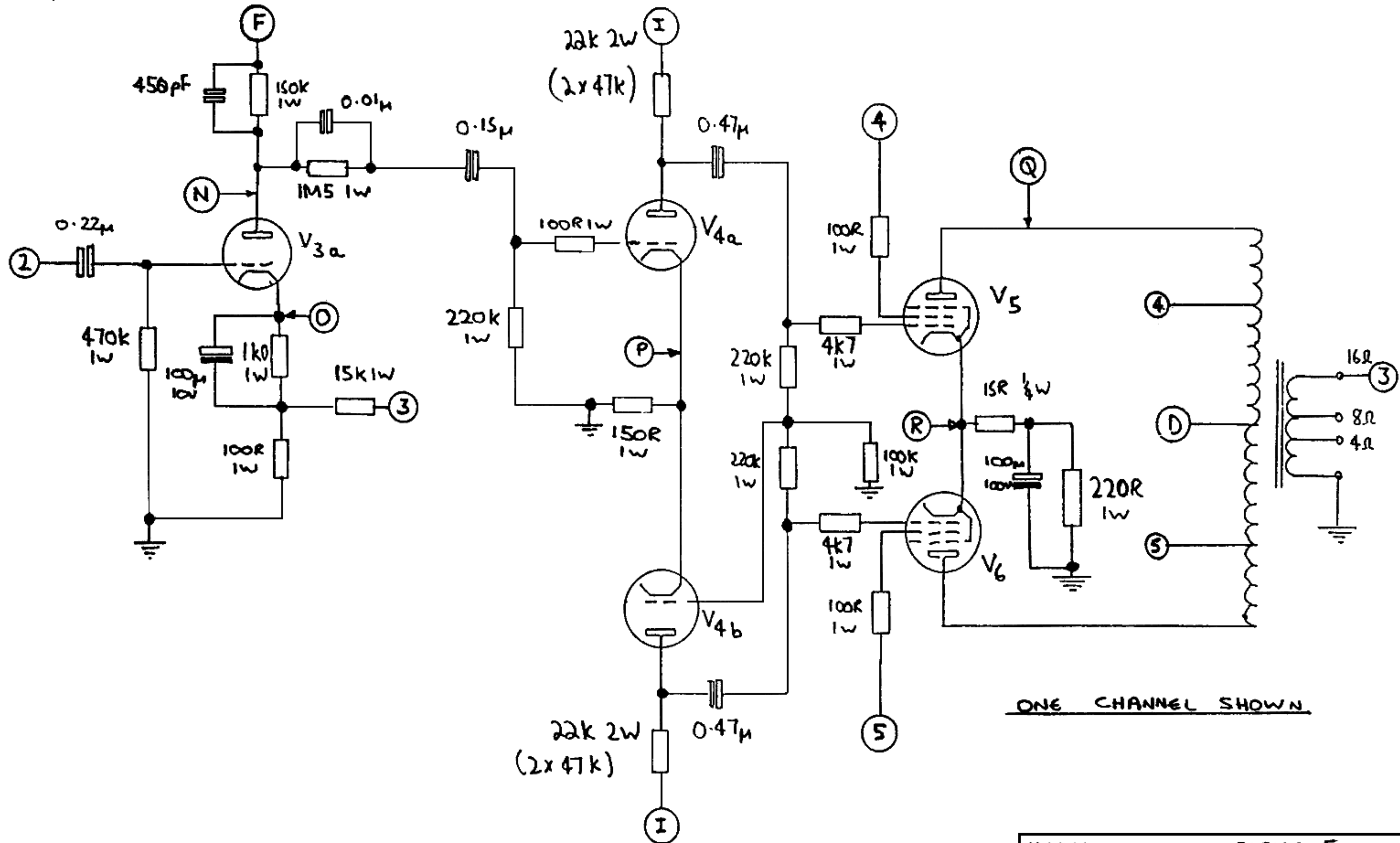
MODEL	SERIES 500
CIRCUIT	PHONO SECTION
DRW NO	2
DATE	26/9/89

*Audio Innovations*



NOTE INPUT SOCKETS ARE NOT DRAWN IN ORDER ONE CHANNEL SHOWN.

MODEL	SERIES 500.		
CIRCUIT	SWITCHING.		
DRW NO	2	DATE	26/9/89

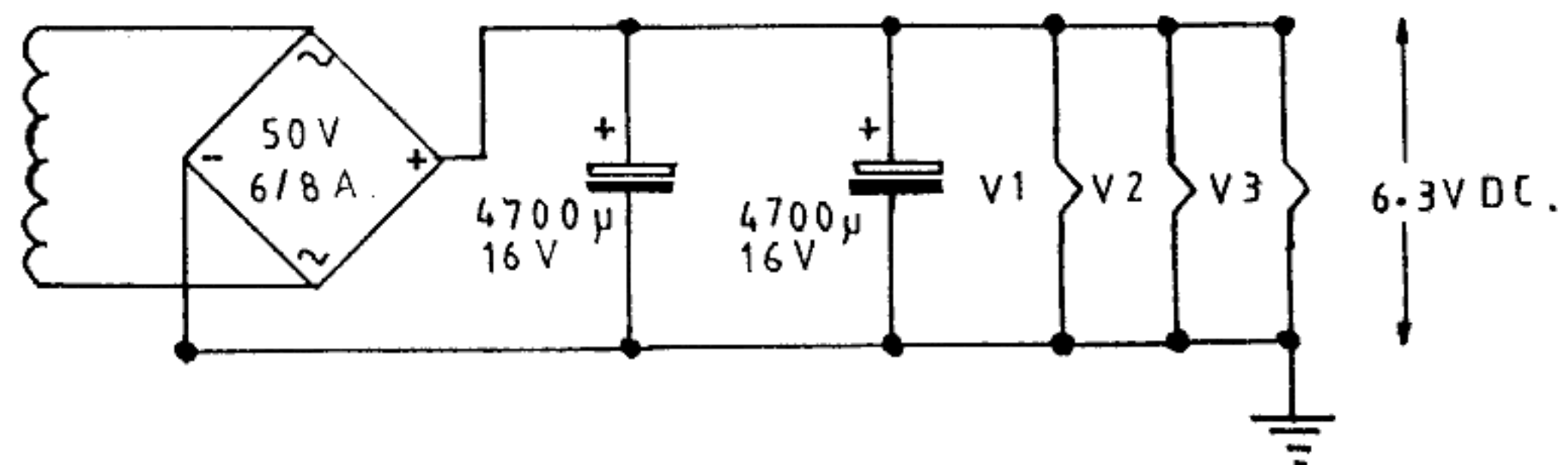
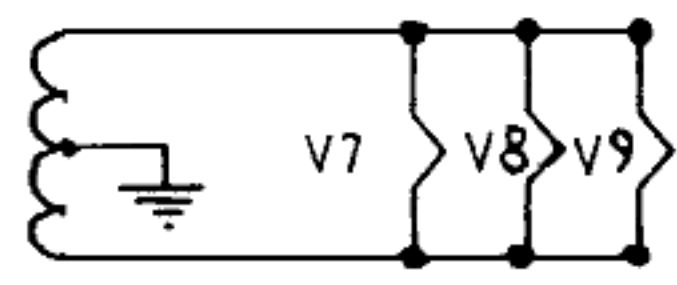
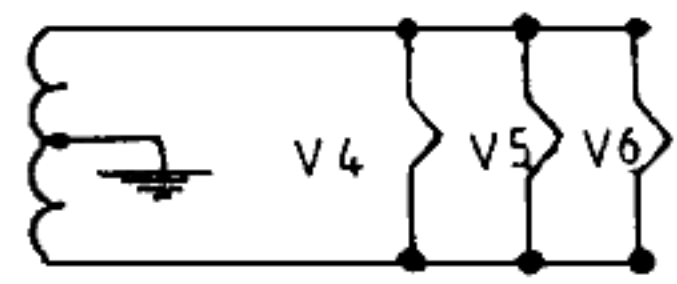
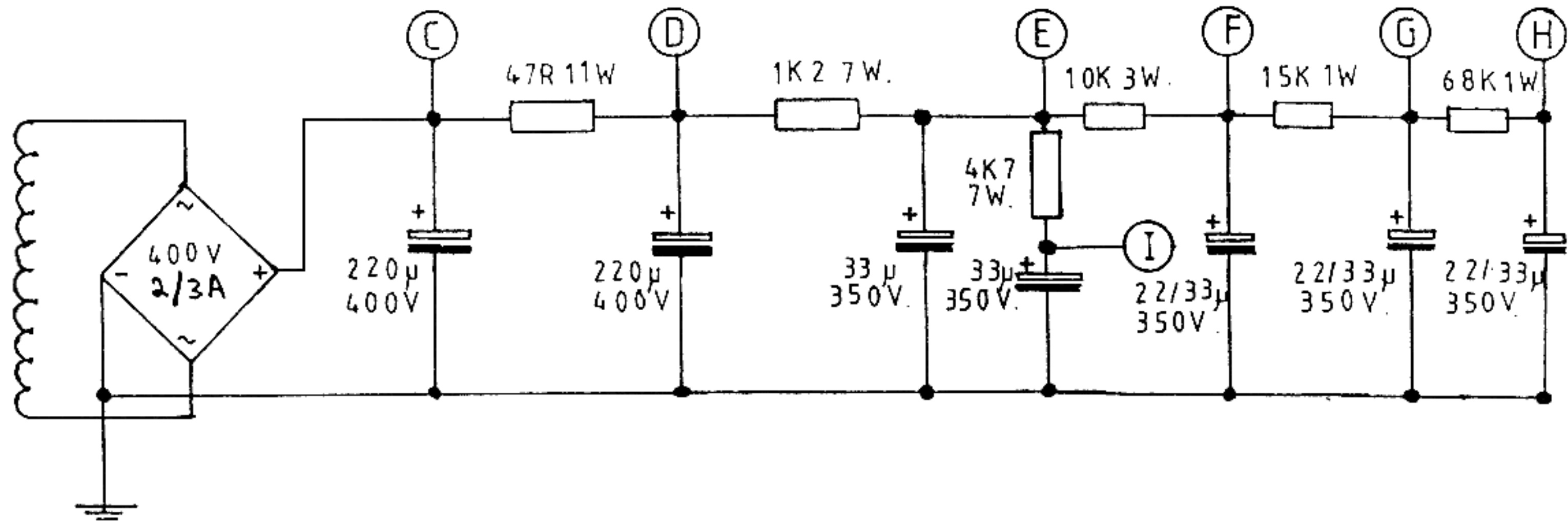
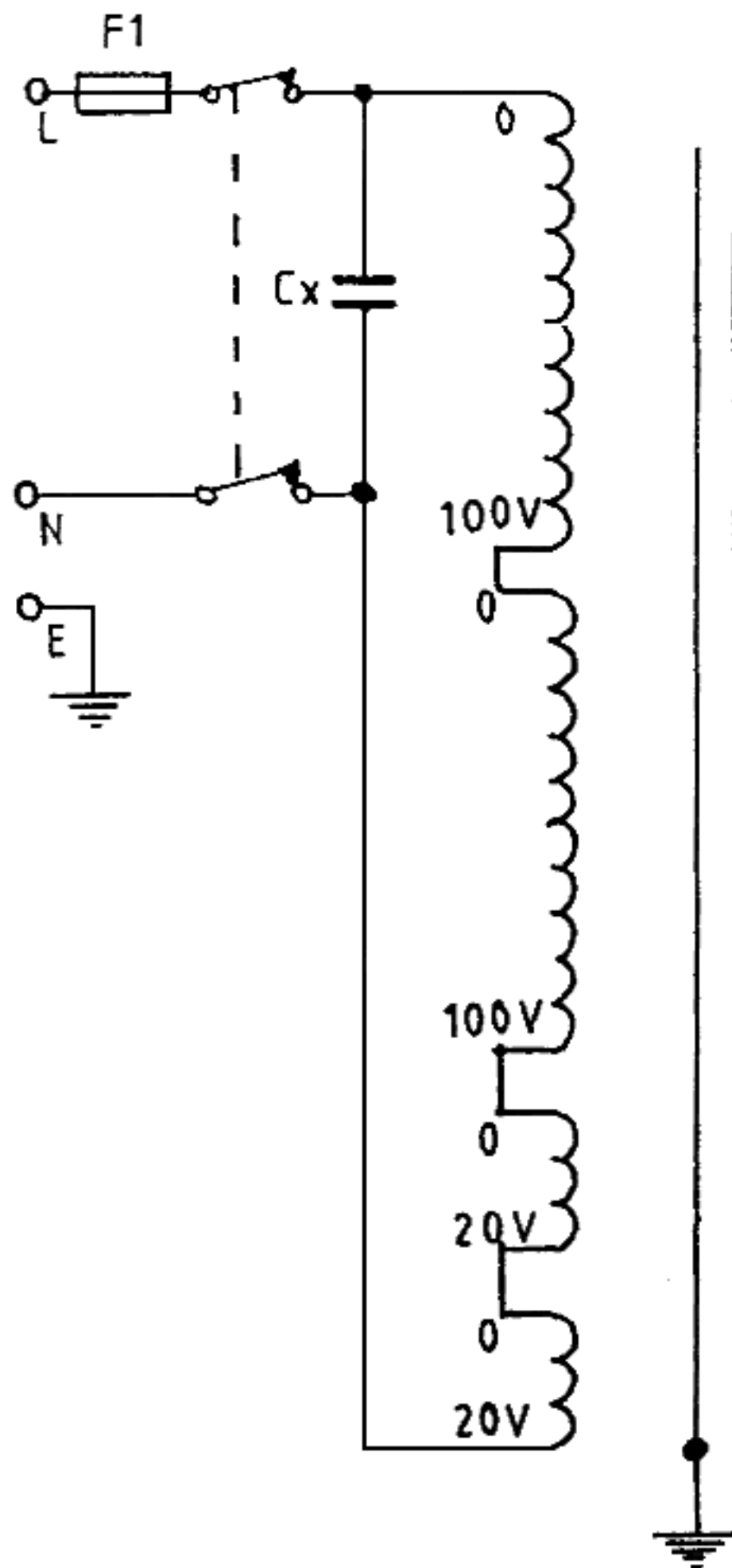


ONE CHANNEL SHOWN

(N) - 150V (O) - 1V (P) - 1.8V (Q) - 380V (R) - 28V

MODEL	SERIES 500
CIRCUIT	POWER AMP
DRW NO 2	DATE 26/9/89

*Audio Innovations*  
 F1 - 100V-120V T6-3A  
 220V-240V T5-15A

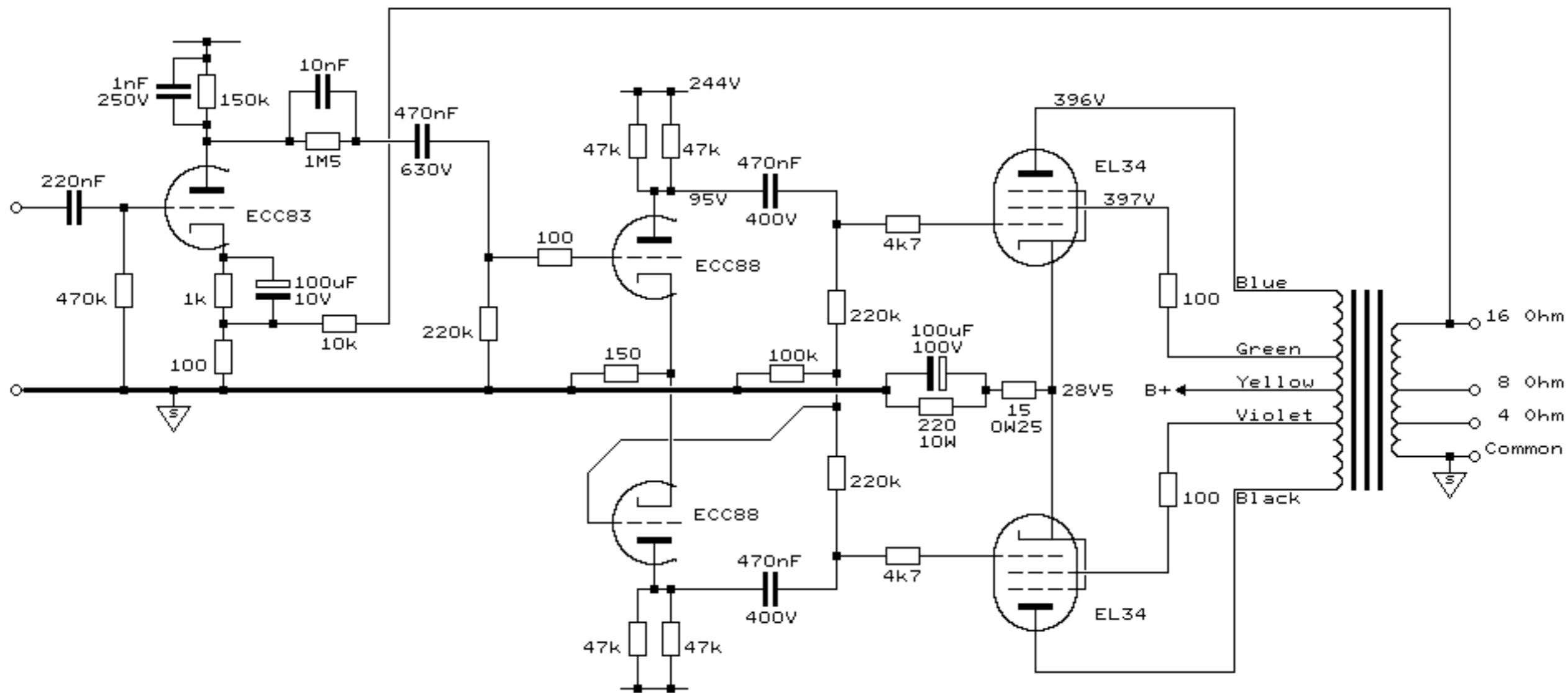


- ⓐ — 390V
- ⓓ — 380V
- ⓔ — 350V
- ⓕ — 300V
- ⓖ — 255V
- ⓗ — 175V
- ⓘ — 235V

- V<sub>1</sub> - ECC83
- V<sub>2</sub> - ECC83
- V<sub>3</sub> - ECC83
- V<sub>4</sub> - PCC88
- V<sub>5</sub> - EL34
- V<sub>6</sub> - EL34
- V<sub>7</sub> - PCC88
- V<sub>8</sub> - EL34
- V<sub>9</sub> - EL34

} OPPOSITE CHANNEL.

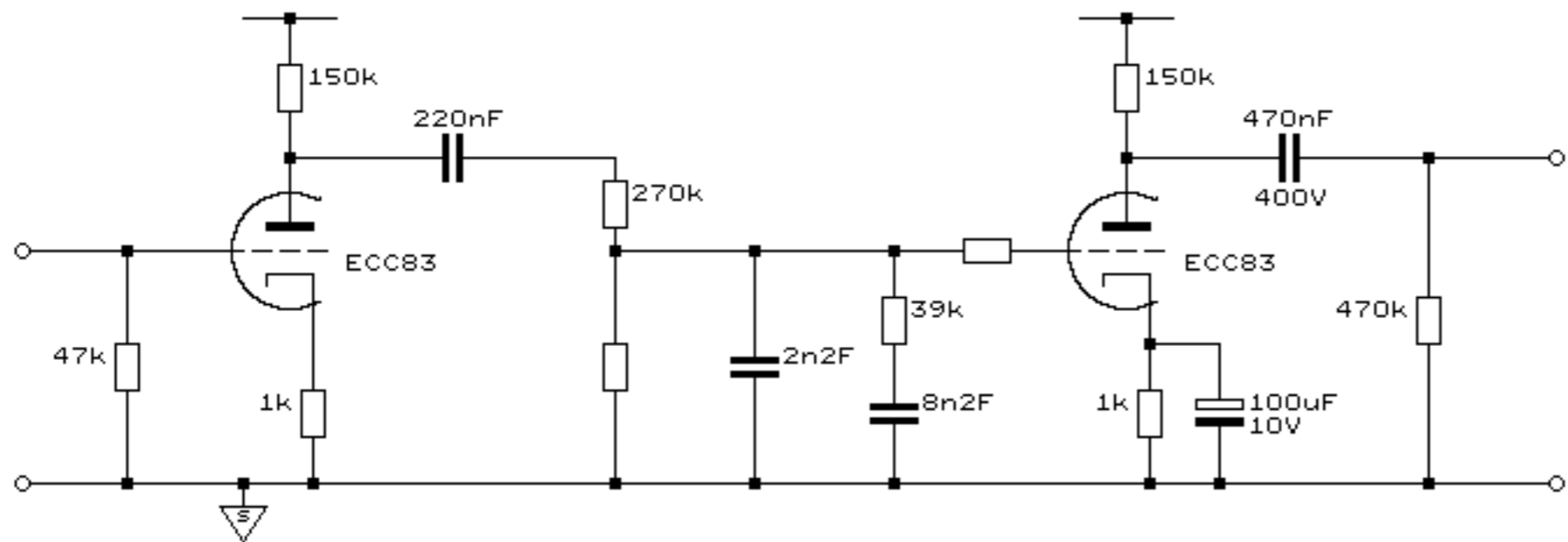
MODEL	SERIES 500.
CIRCUIT	POWER SUPPLY.
DRW NO 2	DATE 26/9/89



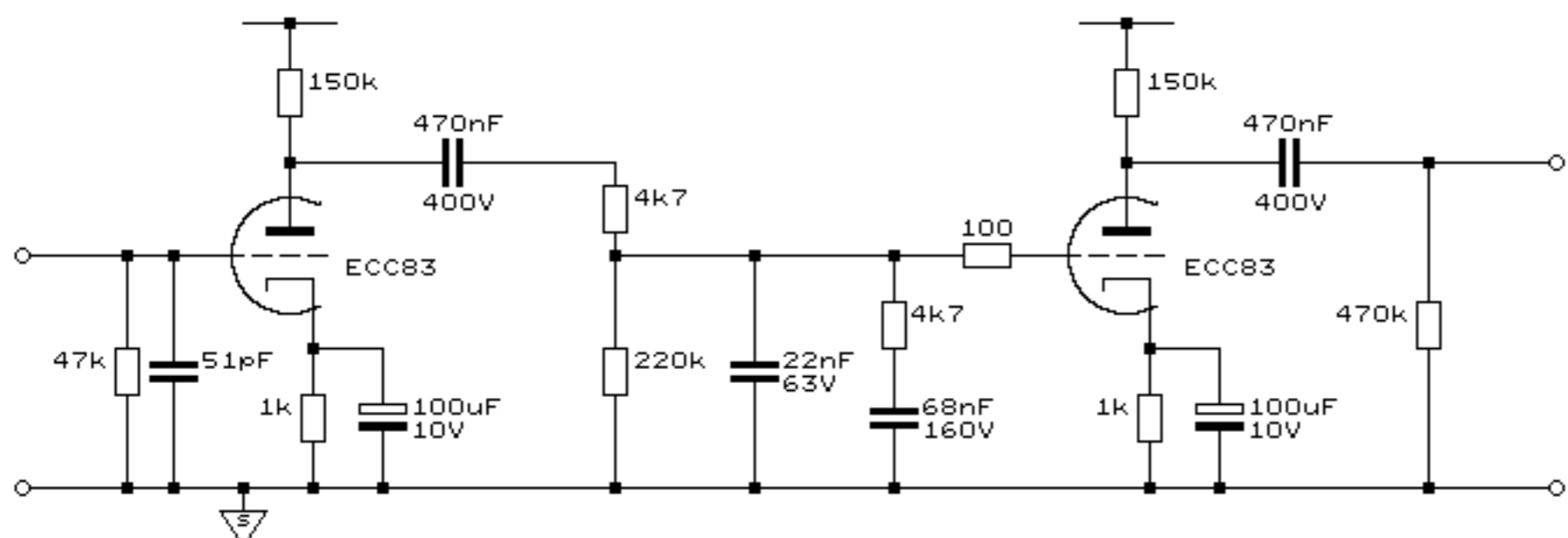
All resistors 1W, 1%, Carbon Film unless otherwise noted

Audio Innovations, 500

Dr.Tube www.DrTube.com		
Title Audio Innovations, 500		
Size A4	Document Number Power Amp	REV 0.0
Date: December 28, 2000	Sheet	1 of 1



1987



1991

All resistors 1W Carbon Film

# Audio Innovations, 500 Phono input

Dr.Tube www.DrTube.com		
Title Audio Innovations, 500		
Size A4	Document Number Phono Input	REV 0.0
Date: November 8, 2000	Sheet 1 of	1