



PRIMARE



**SPA 21 Surround Processing Amplifier
Service Manual**

1. Circuit Diagrams
2. Bias Adjustment
3. Technical Specifications

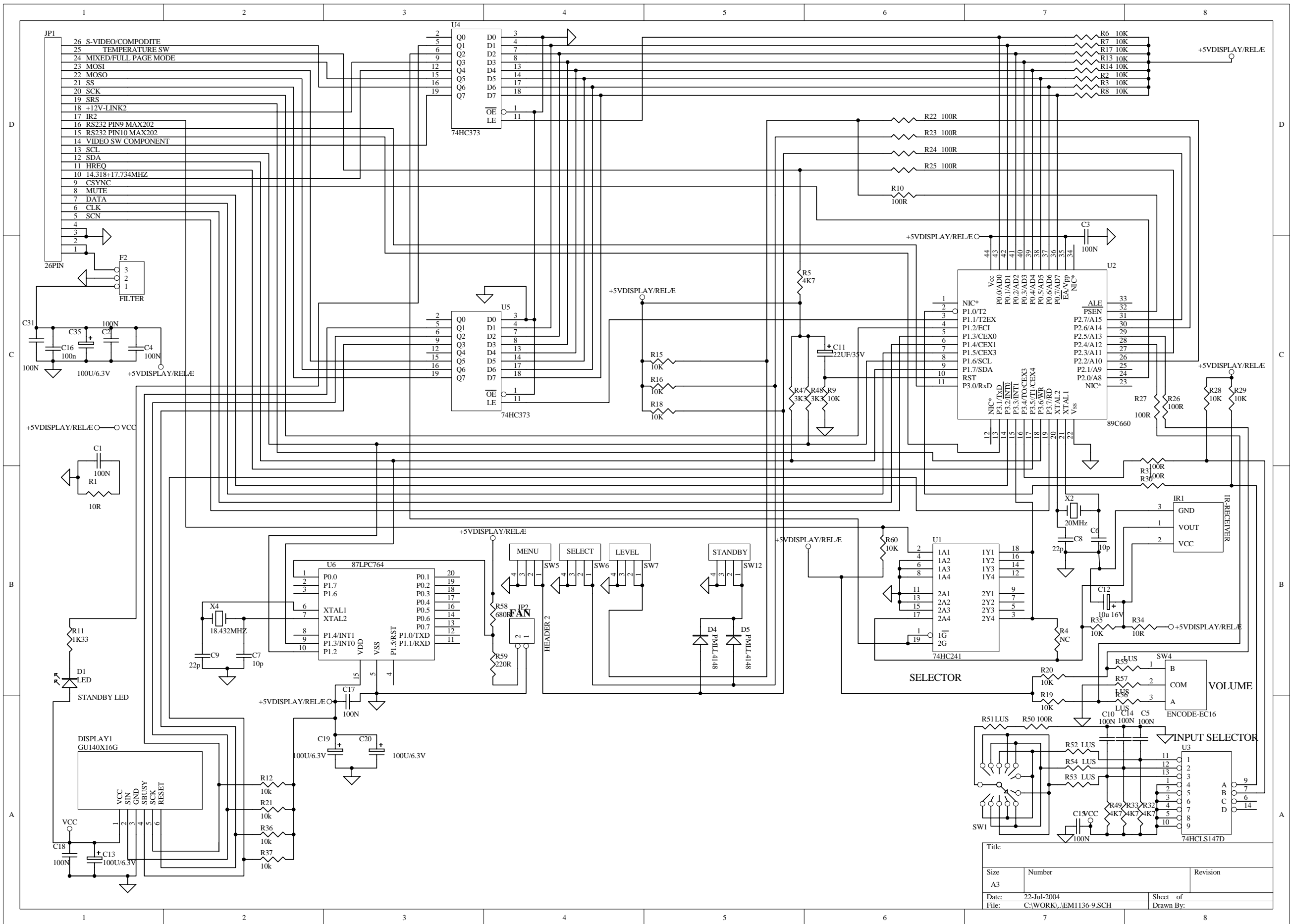
Confidential !

This document is not allowed to show for third part without written permission from Primare Systems AB.

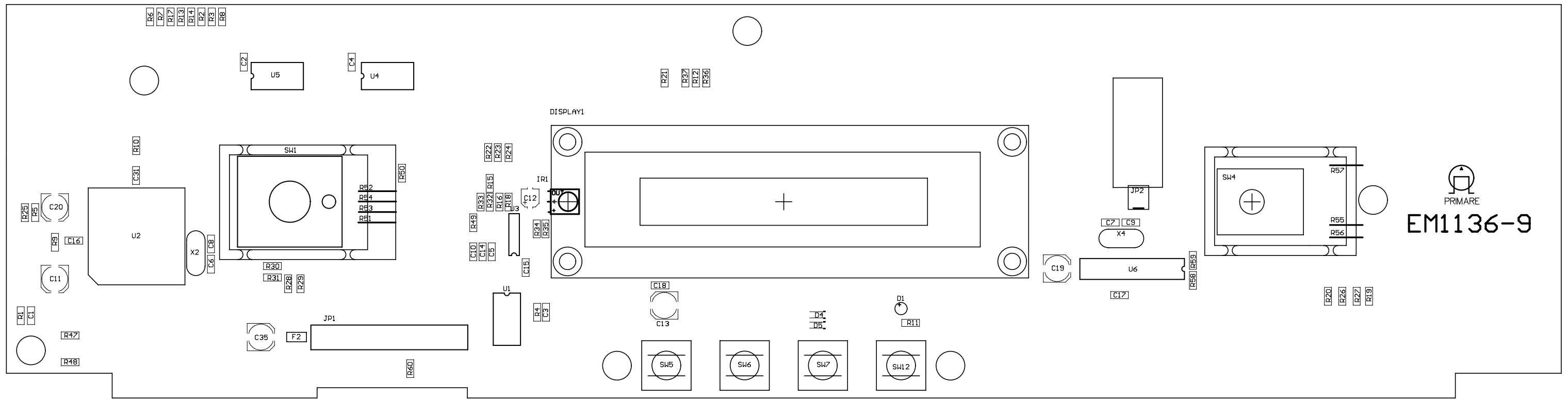
This document is subject to change without notice.

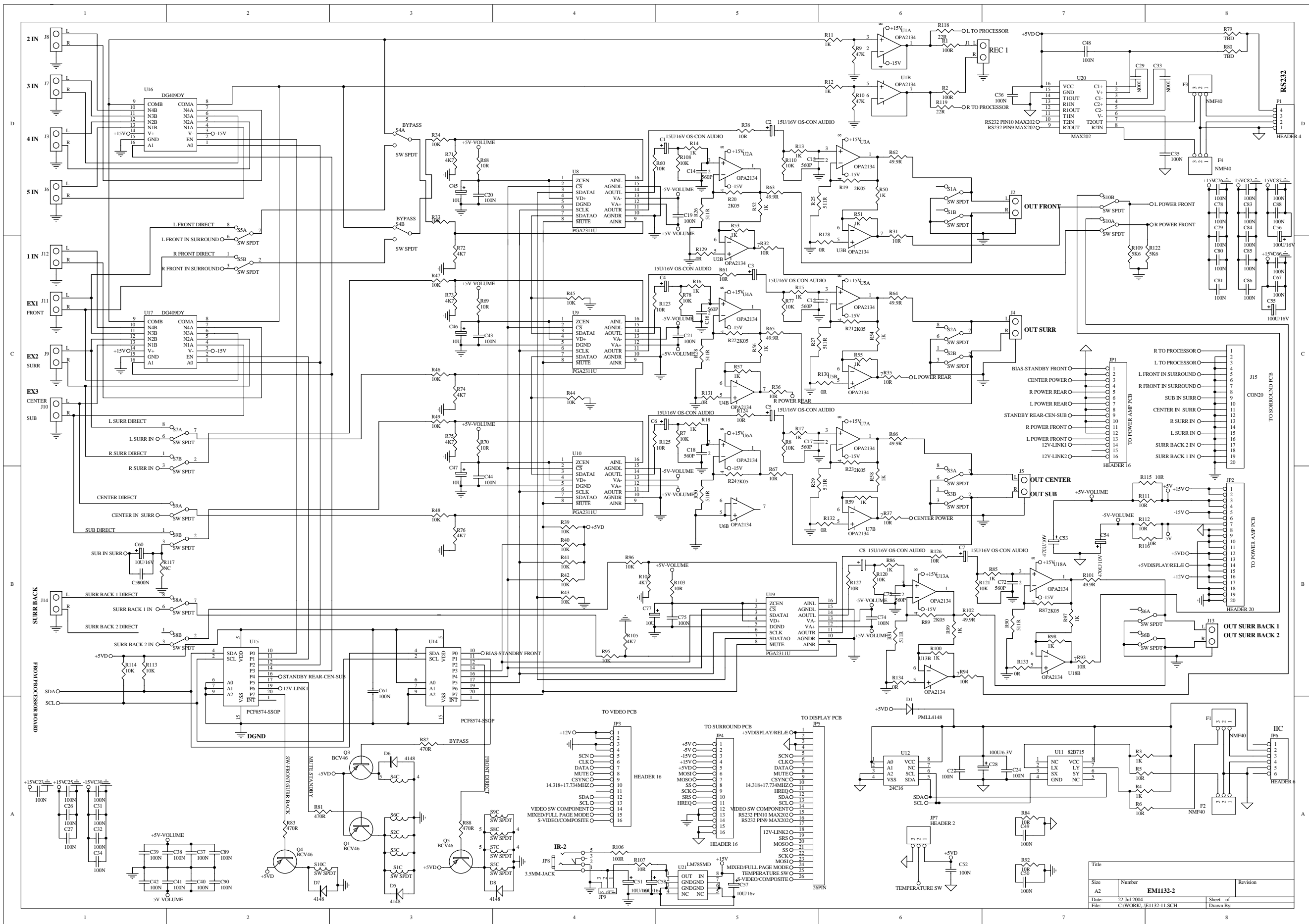
Author:

Bjorn Holmqvist
Primare Systems AB
bjorn@primare.net

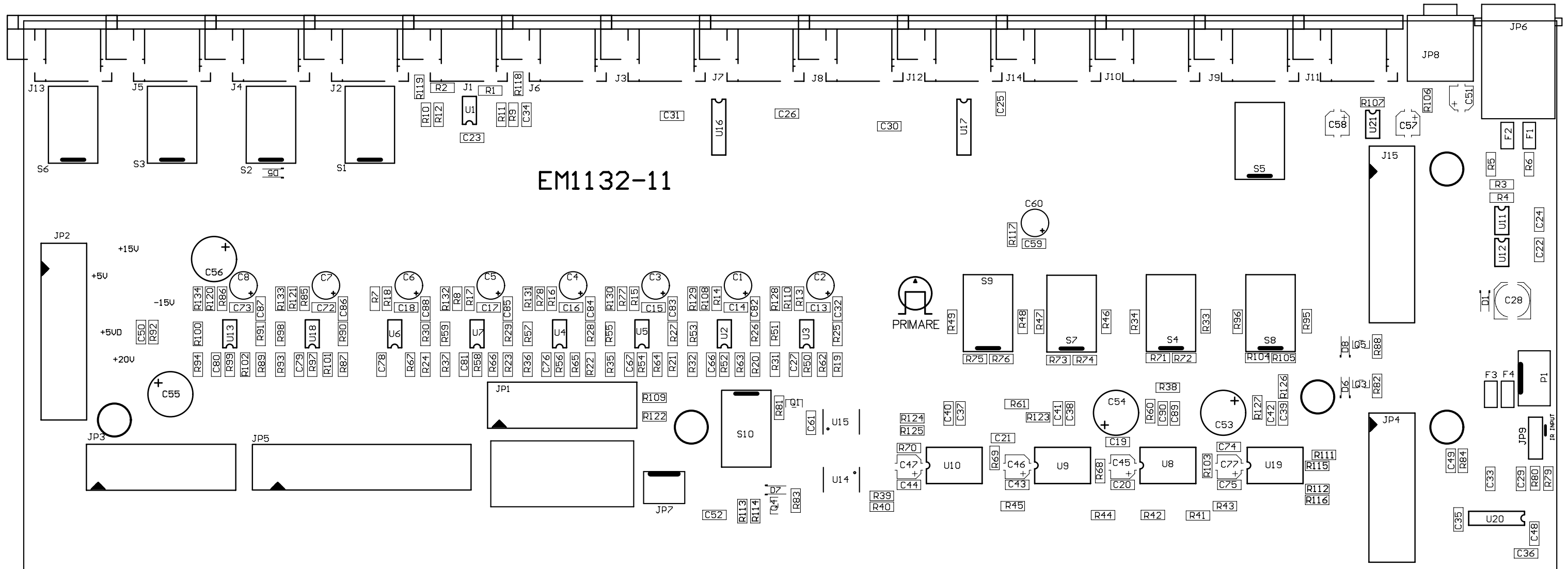


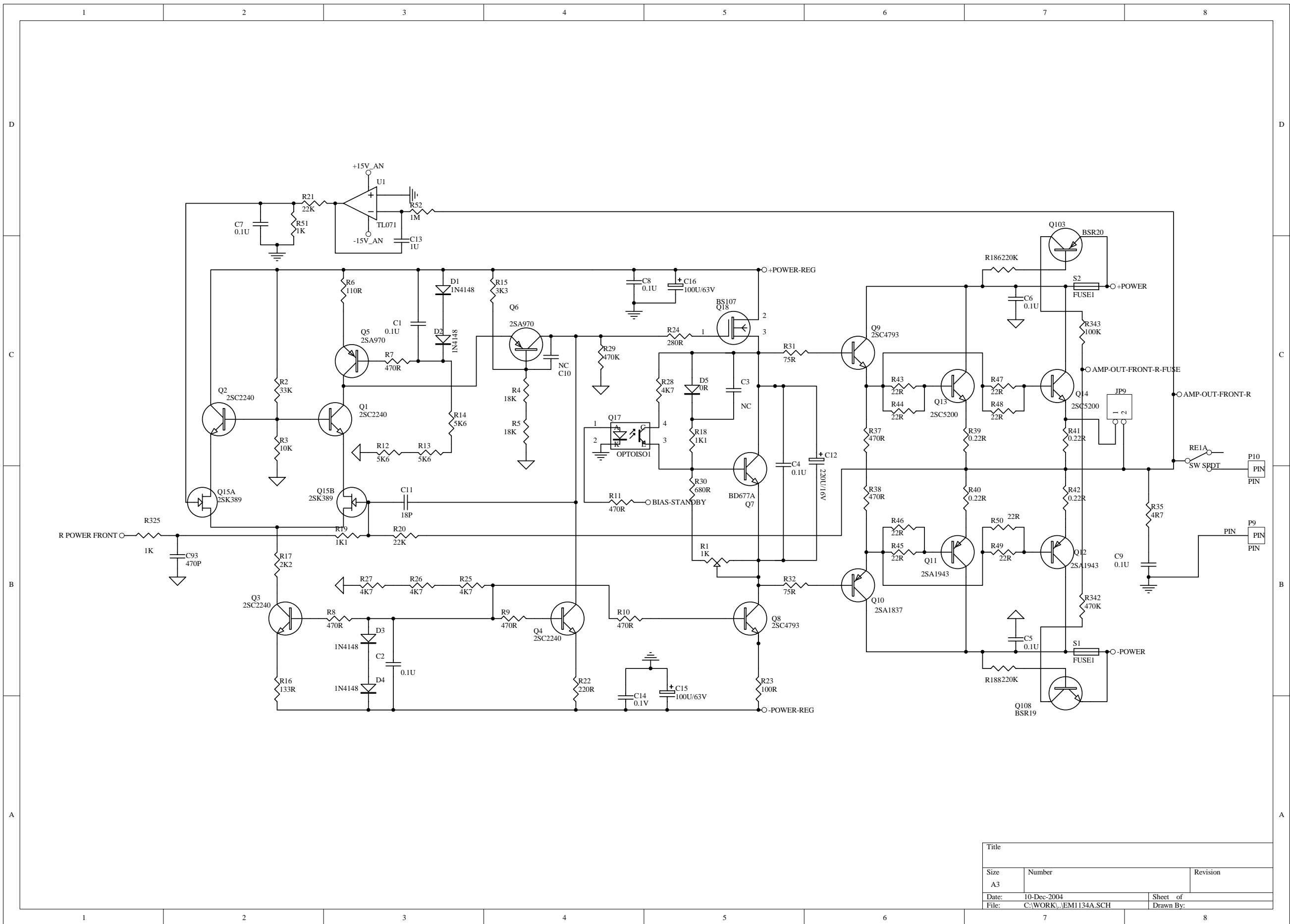
Title		
Size	Number	Revision
A3		
Date:	22-Jul-2004	Sheet of
File:	C:\WORK\EM1136-9.SCH	Drawn By:



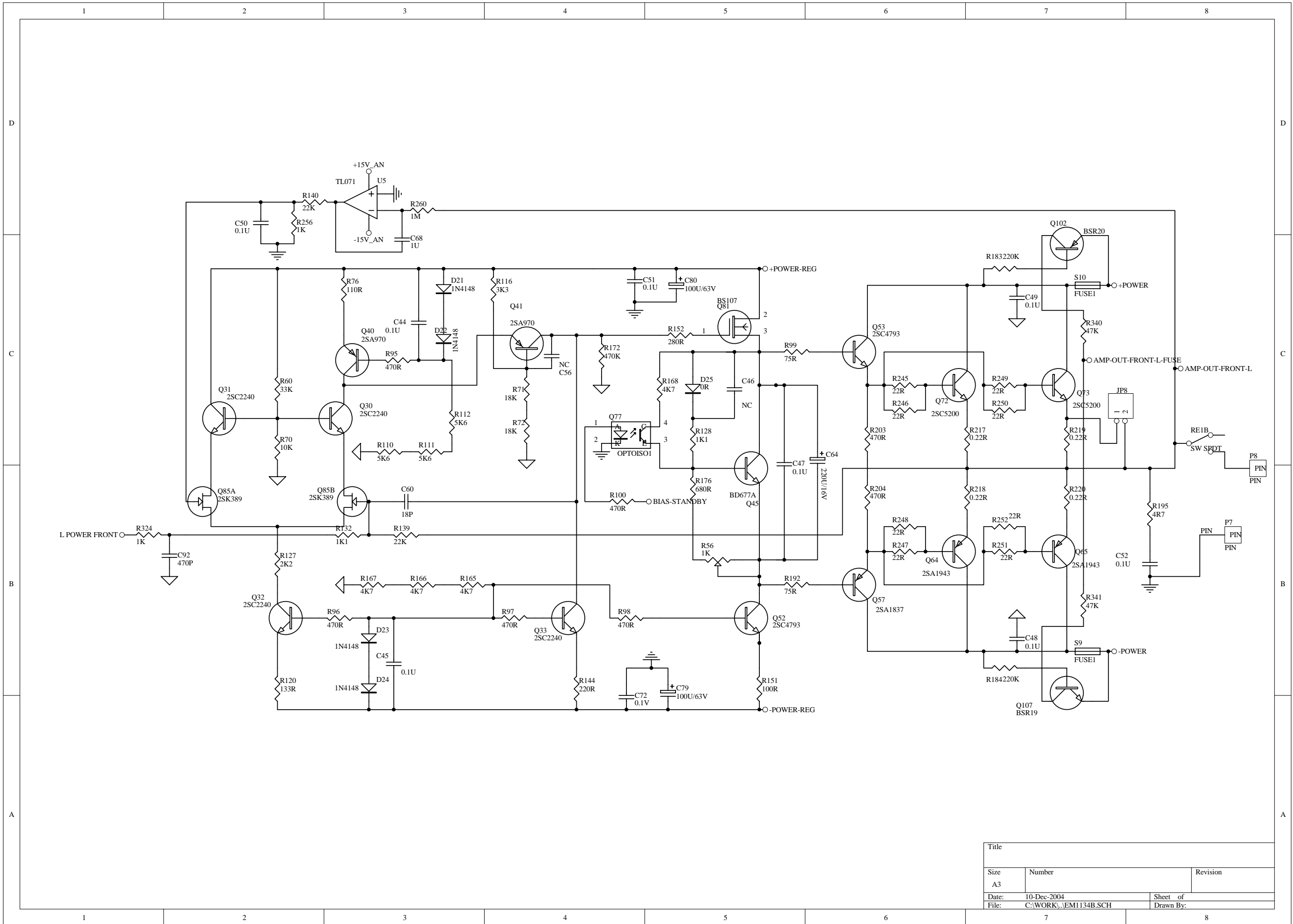


Title	Number	Revision
EM1132-2		
Date:	22-Jul-2004	Sheet of
File:	C:\WORK\EM1132-11.SCH	Drawn By:

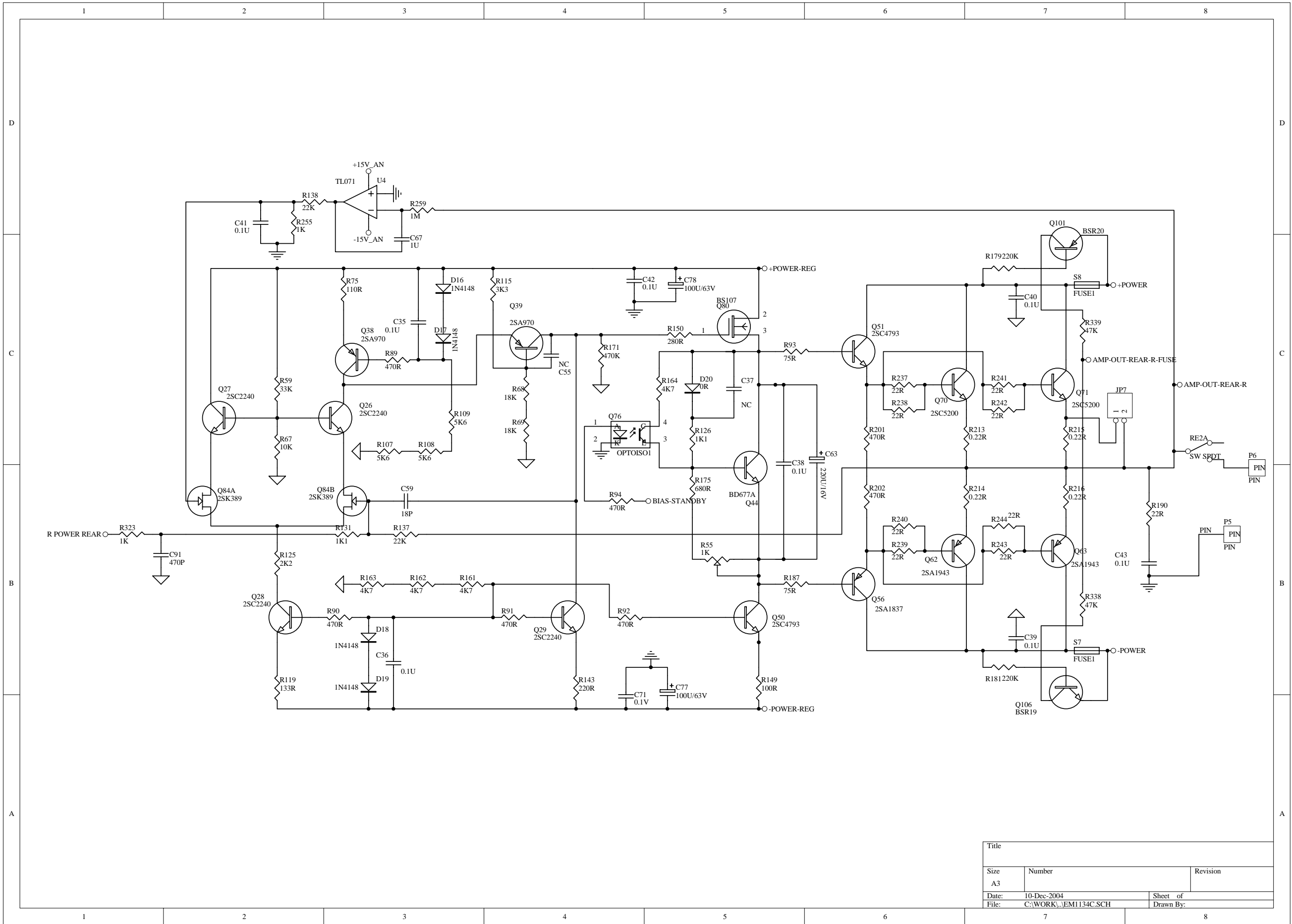




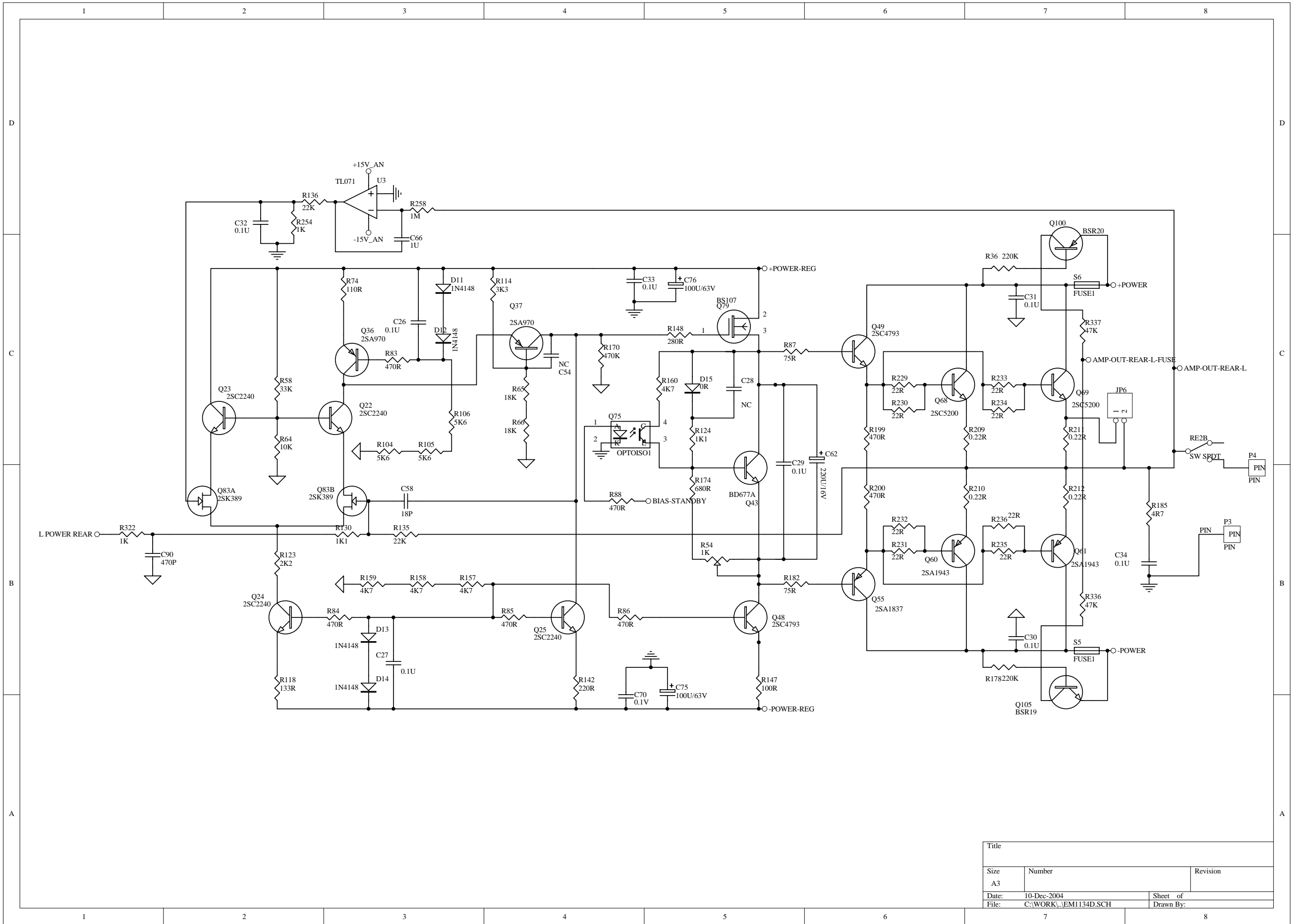
Title		
Size	Number	Revision
A3		
Date:	10-Dec-2004	Sheet of
File:	C:\WORK\EM1134A.SCH	Drawn By:



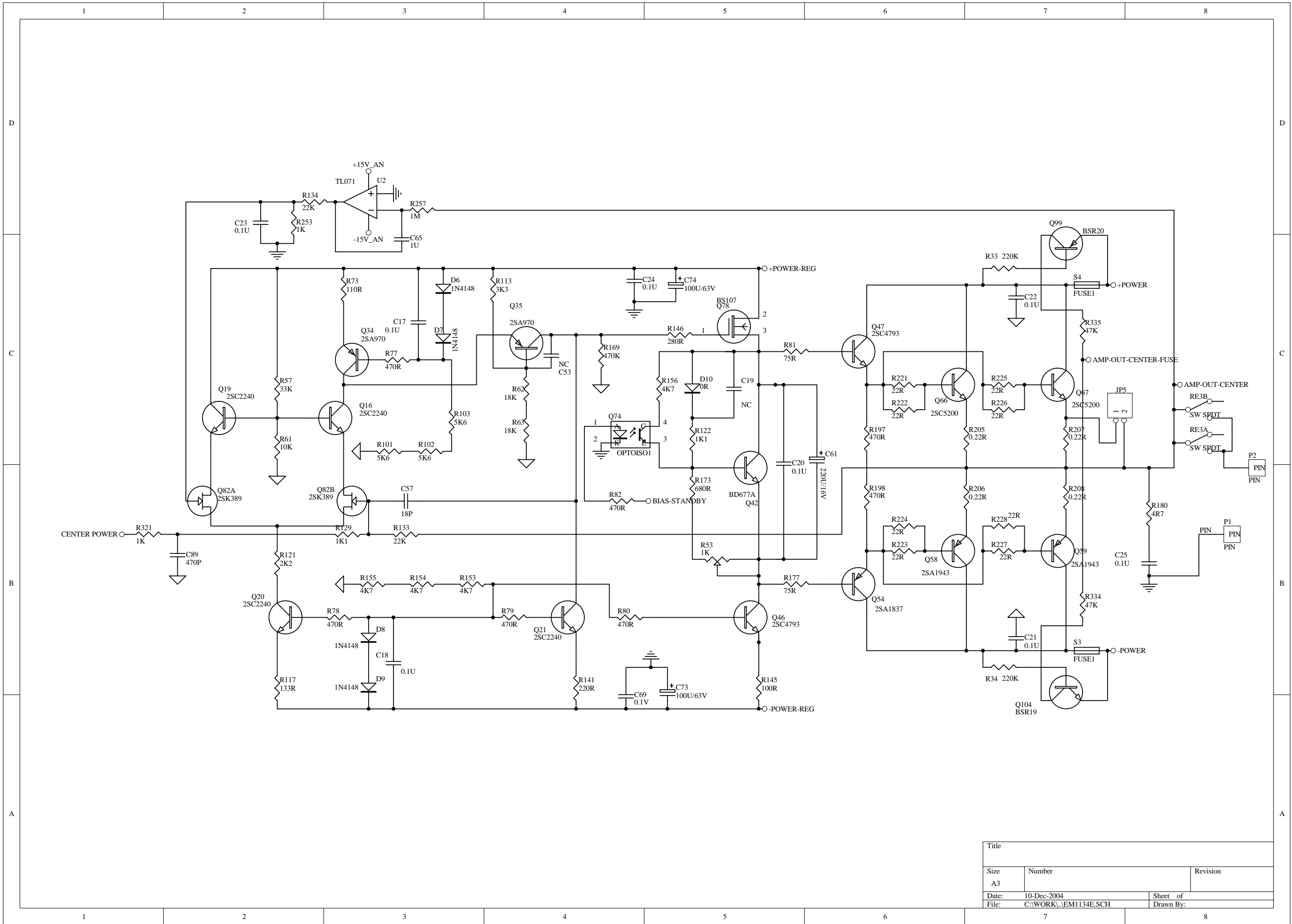
Title		
Size	Number	Revision
A3		
Date:	10-Dec-2004	Sheet of
File:	C:\WORK\EM1134B.SCH	Drawn By:



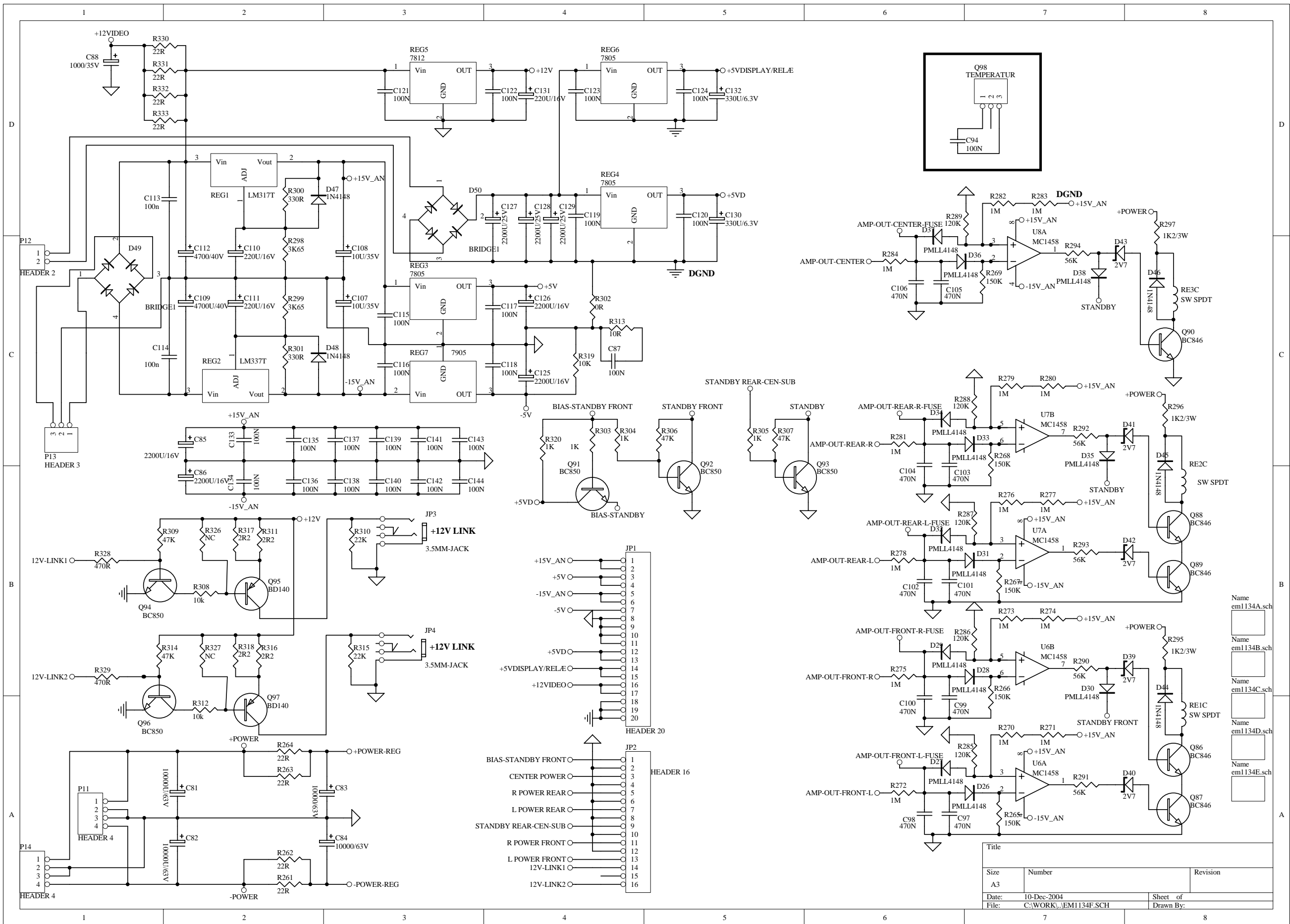
Title		
Size	Number	Revision
A3		
Date:	10-Dec-2004	Sheet of
File:	C:\WORK\EM1134C.SCH	Drawn By:



Title		
Size	Number	Revision
A3		
Date:	10-Dec-2004	Sheet of
File:	C:\WORK\EM1134D.SCH	Drawn By:

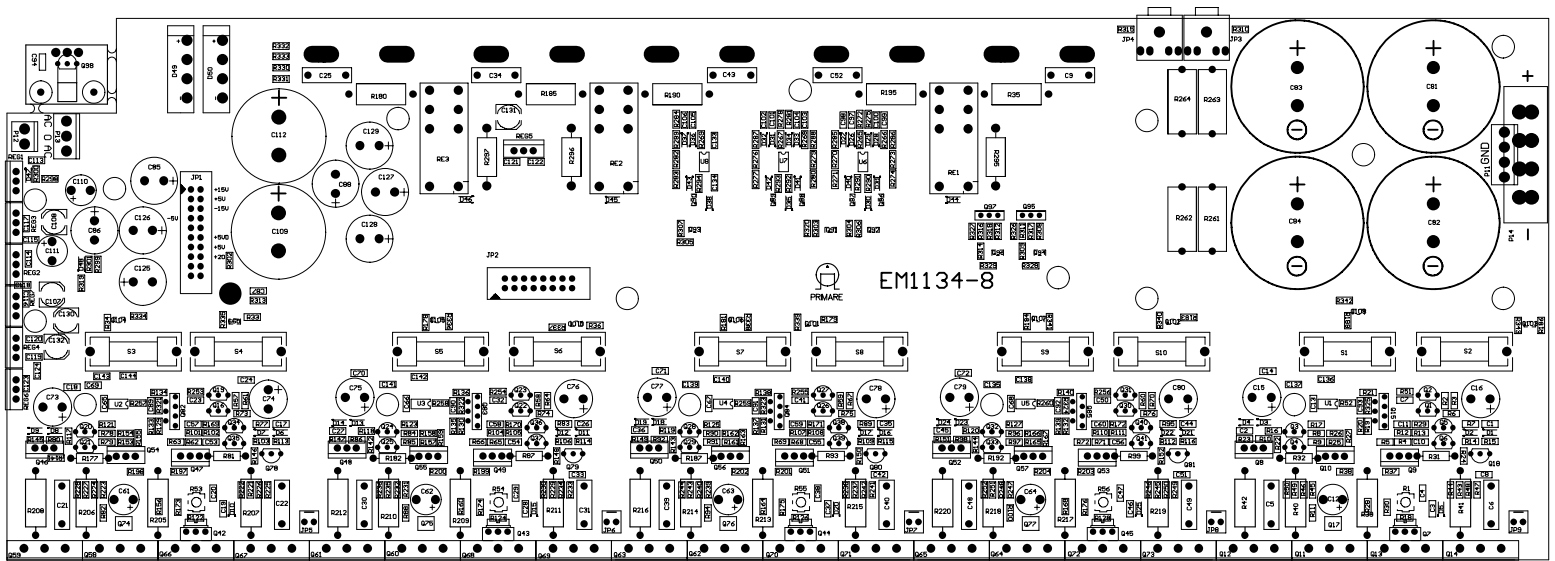


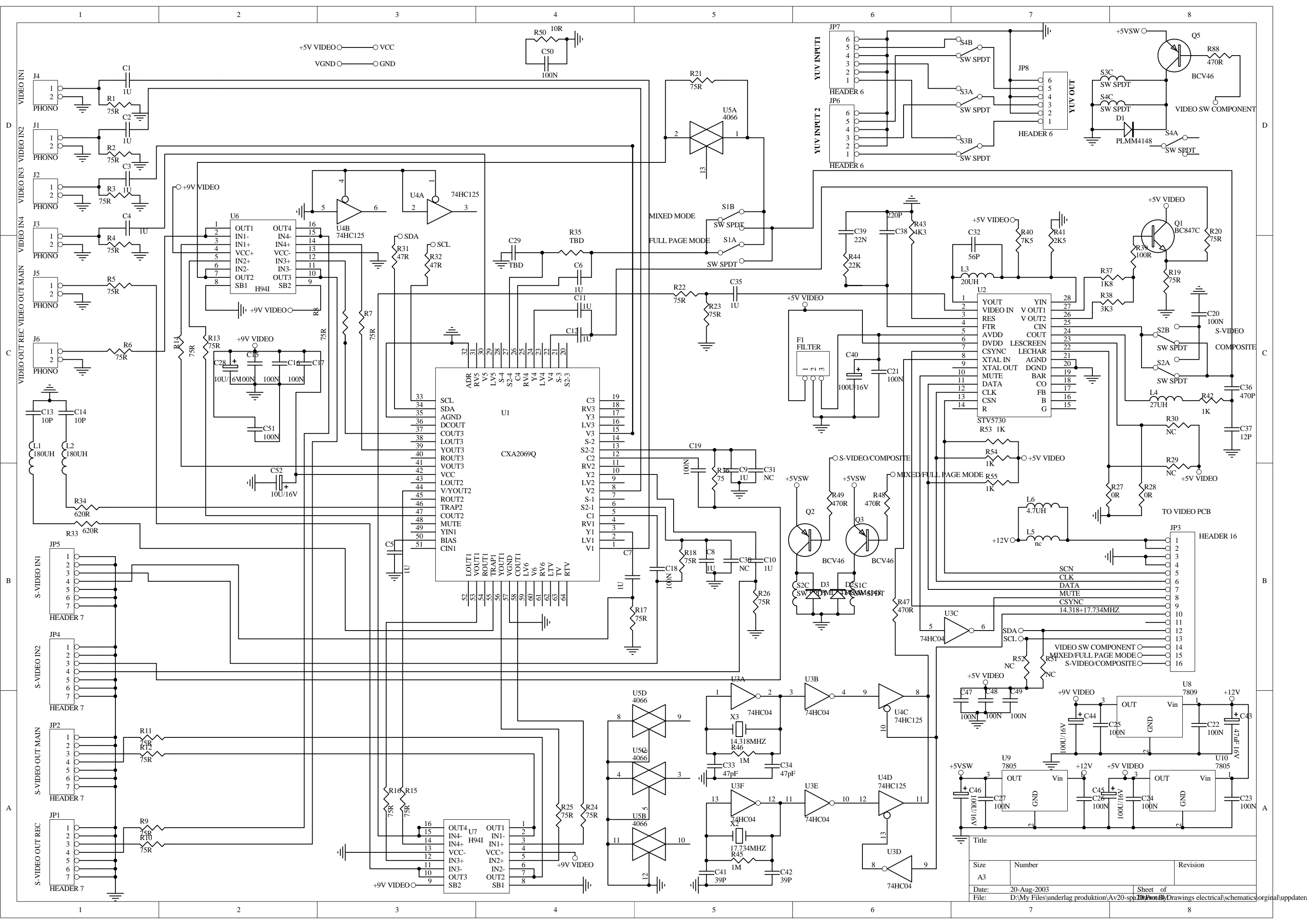
Title		
Size	Number	Revision
A3		
Date:	10-Dec-2004	Sheet of
File:	C:\WORK\EM1134E.SCH	Drawn By:



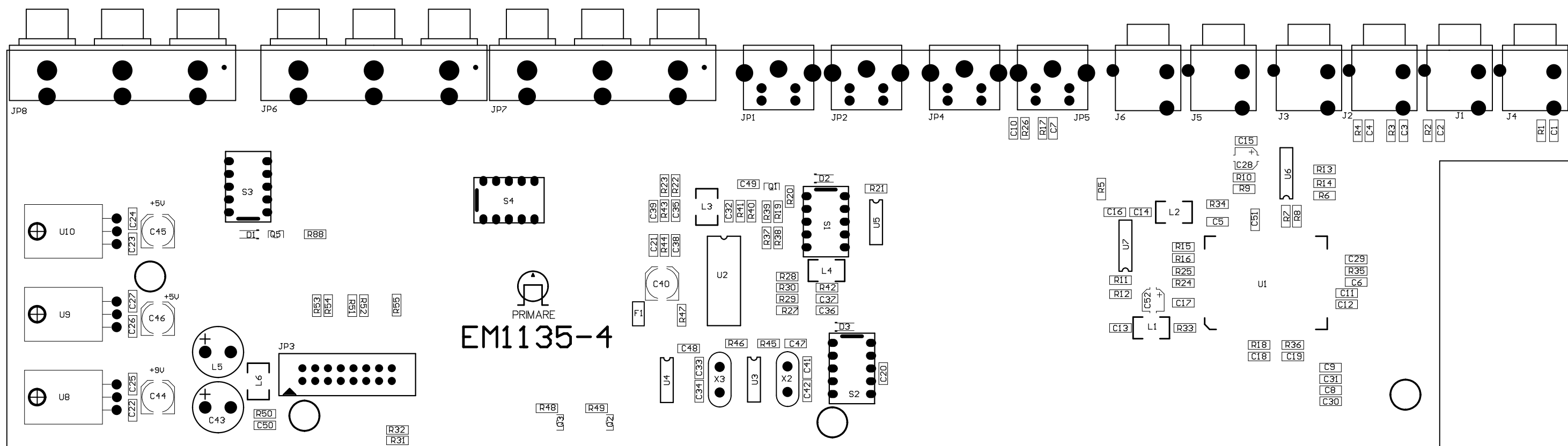
Title		
Size	Number	Revision
A3		
Date:	10-Dec-2004	Sheet of
File:	C:\WORK\EM1134F.SCH	Drawn By:

- Name em1134A.sch
- Name em1134B.sch
- Name em1134C.sch
- Name em1134D.sch
- Name em1134E.sch

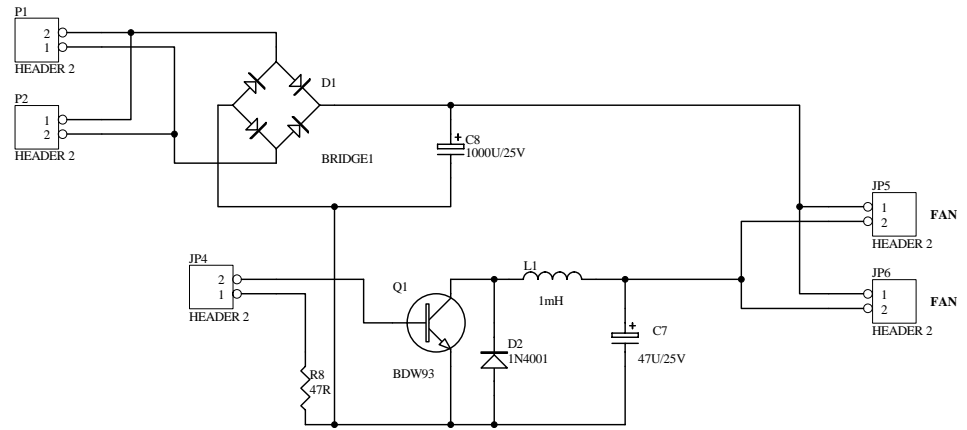
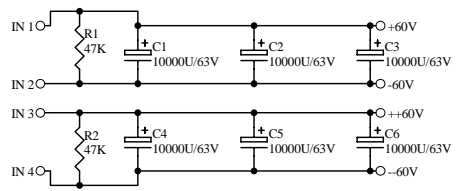
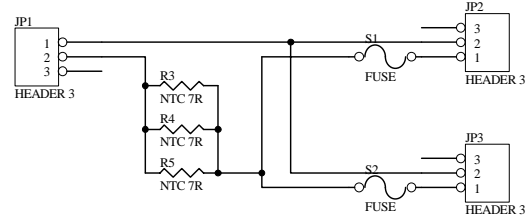




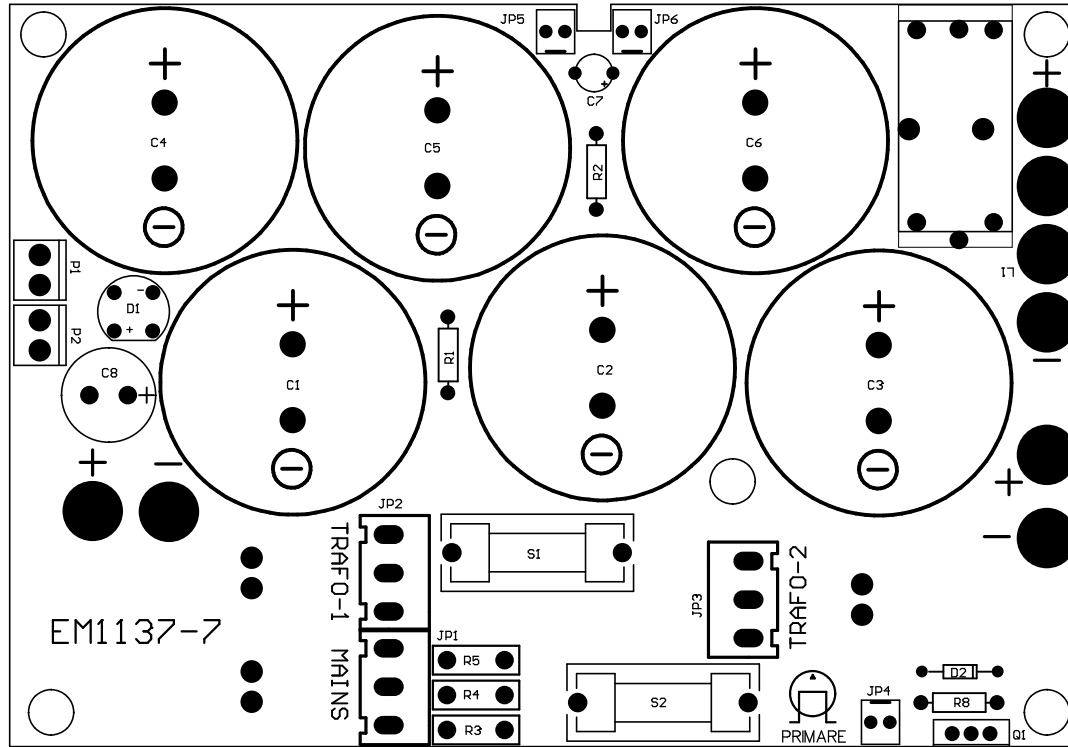
Title	Size	Number	Revision
	A3		
Date:	20-Aug-2003		Sheet of
File:	D:\My Files\undelag produktion\Av20-spb\2003\Drawings electrical\schematics\original\updater		

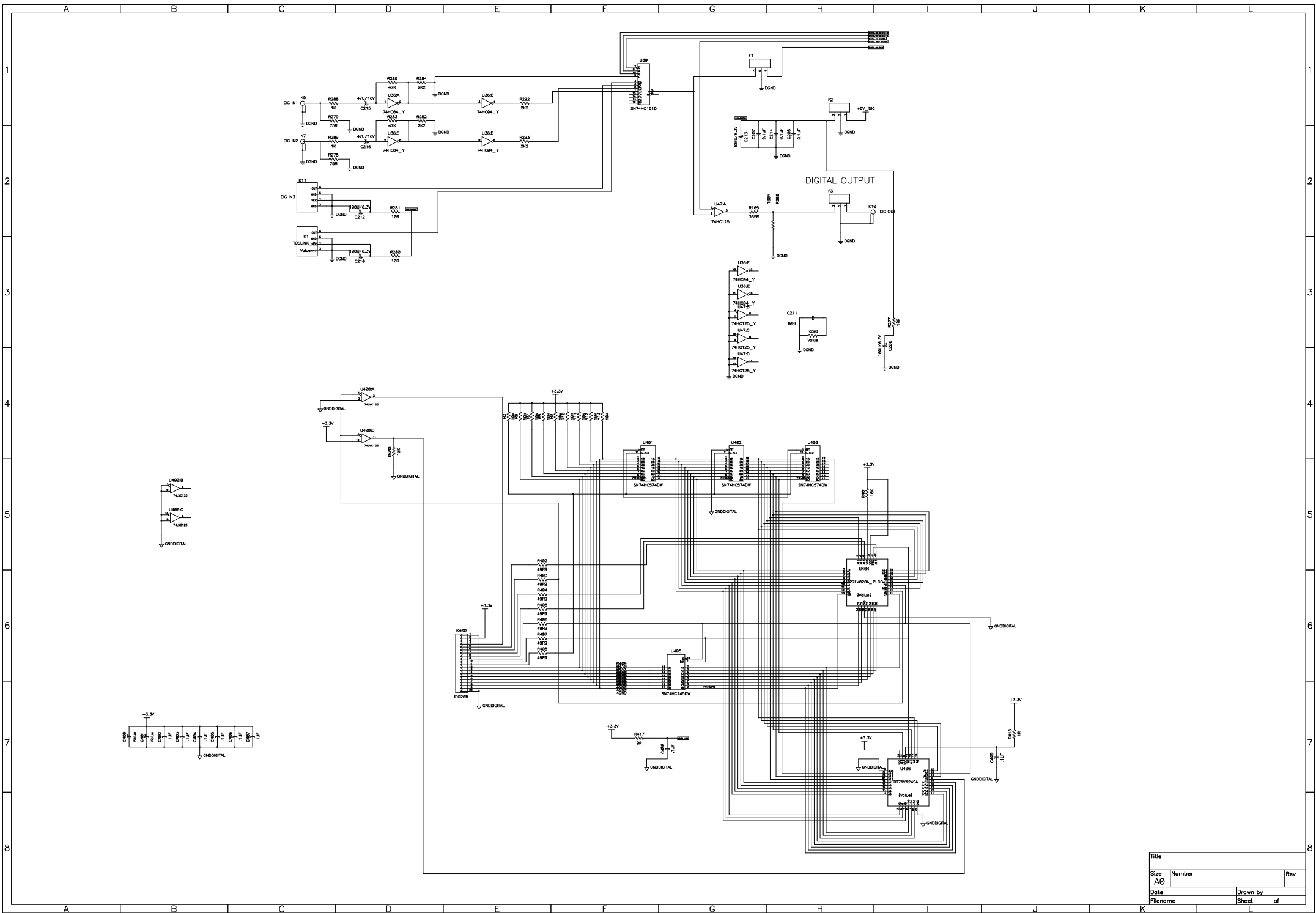


Confidential.
 This drawing is property of Primare Systems AB.
 It is not allowed to show for third part without
 written permission from Primare Systems AB.

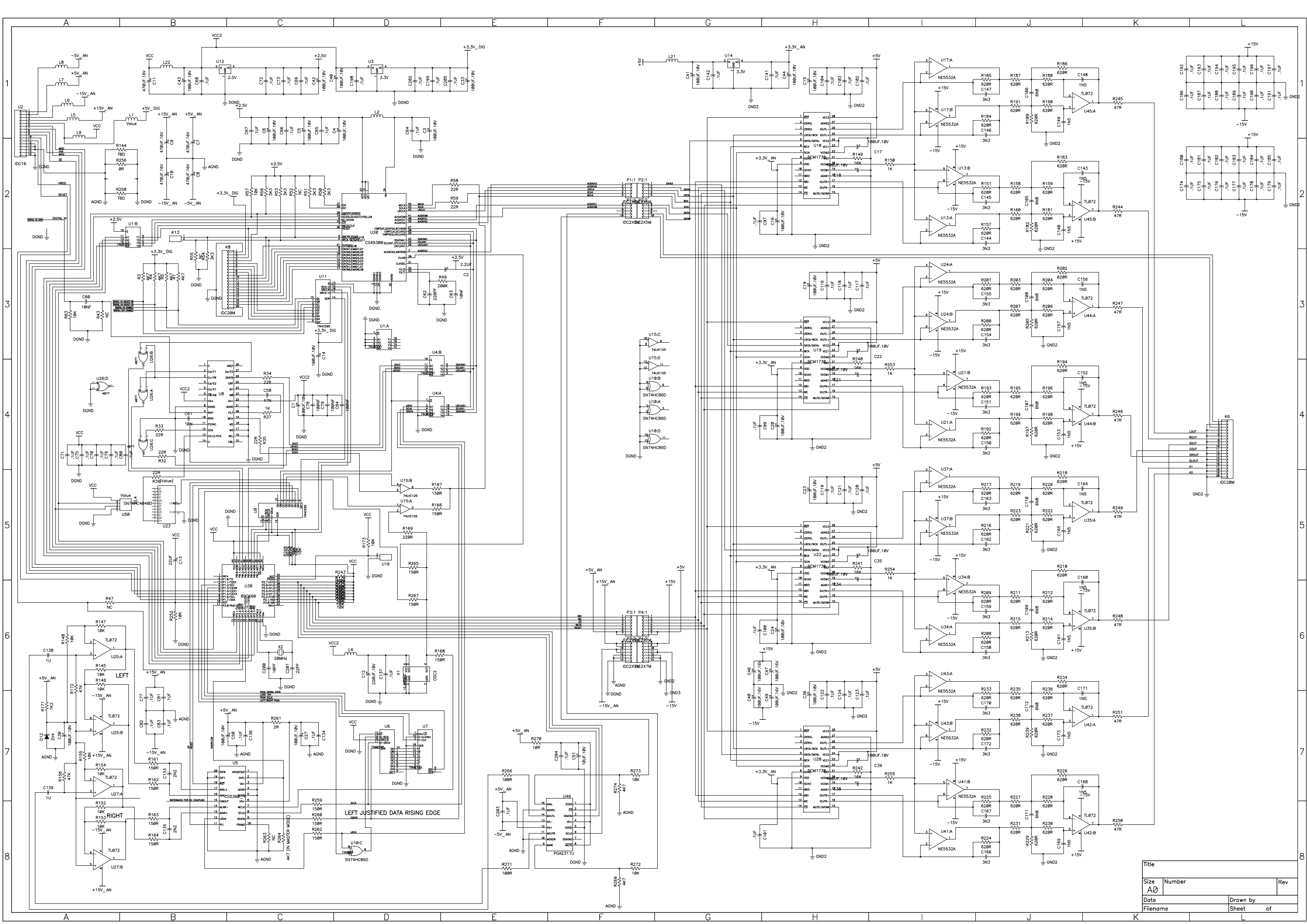


Title		
Size B	Number	Revision
Date: 4-Nov-2002	Sheet of	Drawn By:
File: EM1137.pdf		

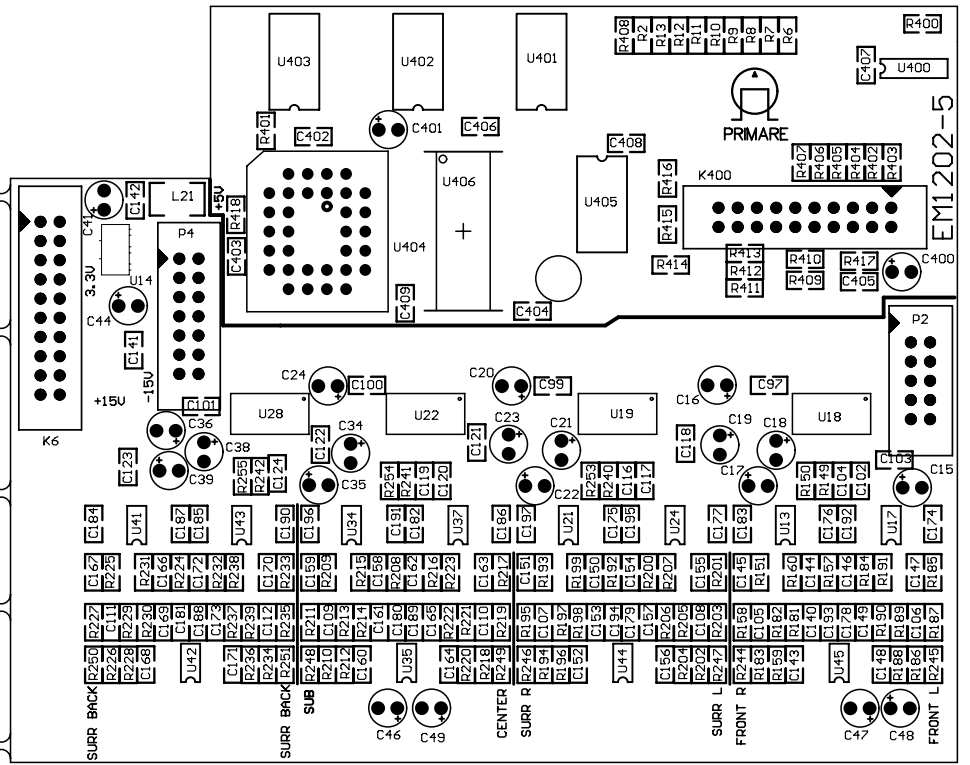
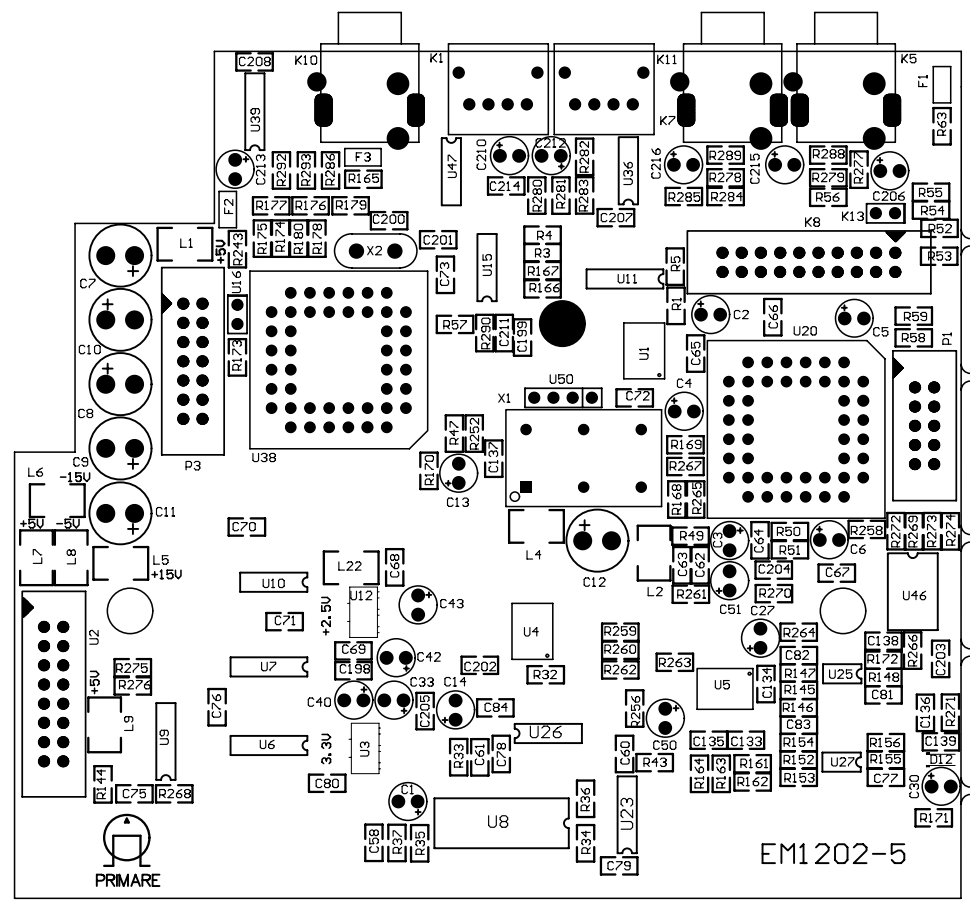




Title		
Size	Number	Rev
A0		
Date	Drawn by	
Filename	Sheet of	



Title		
Size	Number	Rev
A0		
Date	Drawn by	
Filename	Sheet	of



EM1202-5

EM1202-5

Bias Adjustment SPA21

If anything in the output stage has been repaired, the bias needs to be readjusted.

Critical for the adjustment are that the mainsvoltage is 230V or 115V exactly.
The temperature in the facility must be constant during the adjustment procedure.

Use the following measureingpoints and potentiometers to adjust bias:

Channel	Measure	Adjust
Front R	JP9	R1
Front L	JP8	R56
Surr R	JP7	R55
Surr L	JP6	R54
Center	JP5	R53

These steps describe the procedure which is the same for all channels.

1. Switch the amplifier on or if it has been on burn-in, disconnect input signal and loads.
2. Let the amplifier run for 1h.
3. Adjust the bias to 9mV
4. Wait 1h
5. Measure the bias and if needed readjust to 9mV
6. Wait 1h
7. Measure the bias and if needed readjust to 9mV
8. Wait 1h
9. Measure the bias and if needed readjust to 9mV

Repeat step 5-9 until the bias are stabile.

Technical Specifications

Output power: 5x100 W/ 8R All channels driven

Analogue inputs: 9 RCA

Digital inputs: 2 RCA, 2 TOS-link

Video inputs: 4 Composite, 2 S-Video, 2 Component

Analogue outputs: Front (L&R), Center, Sub, Surr. (L&R), Surr. back (L&R)

Analogue Record Output: 1 RCA (L&R)

Digital Output: 1 RCA

Video Output: 2 Composite, 2 S-Video, 1 Component

Video: NTSC/PAL

Power consumption: Stand by < 42 W

Modes: Dolby ProLogic, Dolby ProLogic II, Dolby Digital 5.1, Dolby Digital Surround EX 6.1, Dolby Digital Matrix 6.1, DTS Neo:6, DTS 5.1, DTS ES 6.1, DTS ES 6.1 discrete, "Surround EX 7.1"

THD: < 0,07%, 20 Hz-20 kHz

Signal-to-noise: -100dB

Frequency response: < 10 Hz-100 kHz, -3 dB

Frequency response: < 20 Hz-20 kHz, -3 dB +/- 0,2 dB

Dimensions (WxDxH): 430x400x135 mm

Weight: 22,5 kg