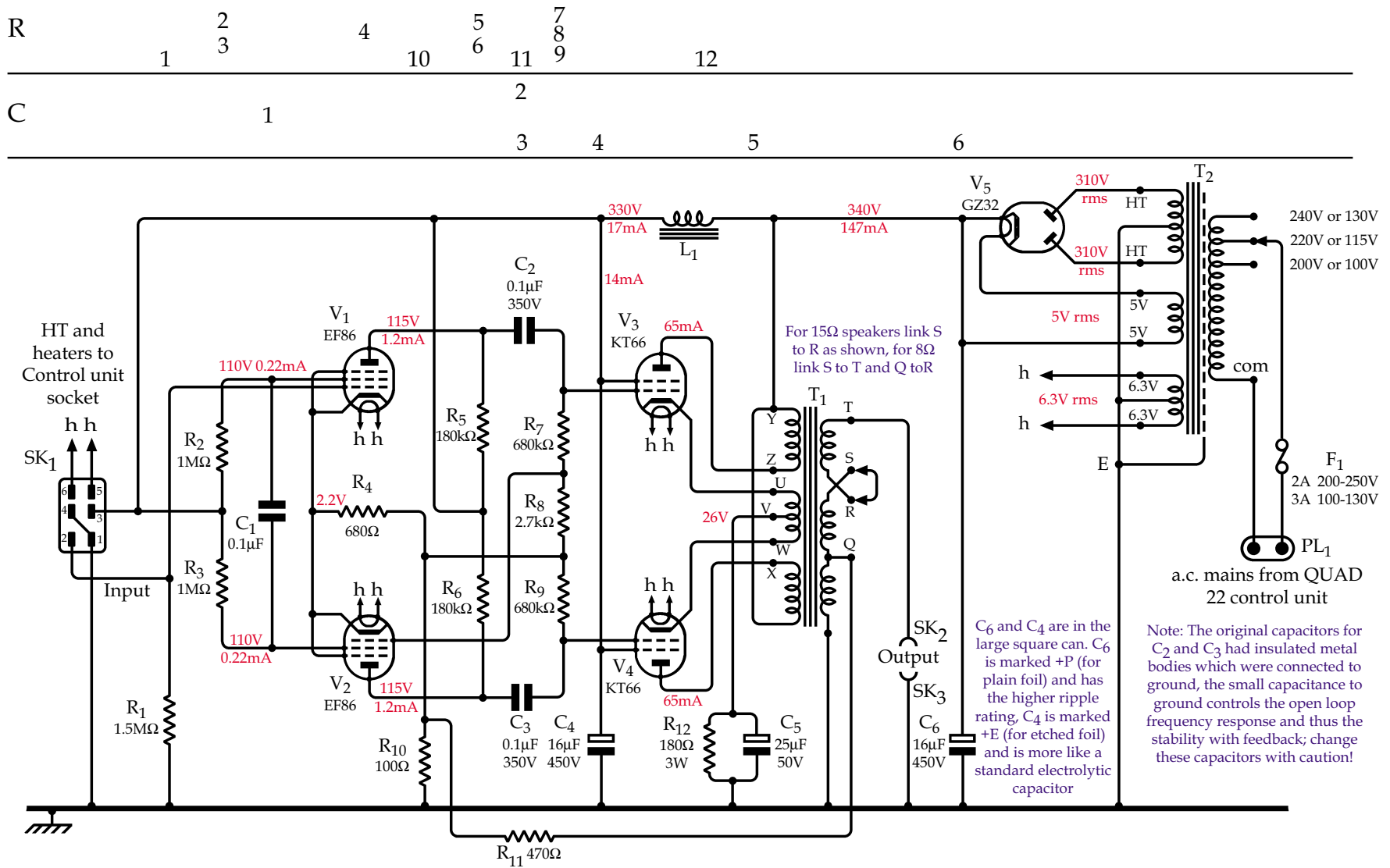


QUAD II Power Amplifier



QUAD II Power Amplifier Schematic Drawing 11175 iss.1 Redrawn in original style by
 Keith Snook d.c.~daylight ltd. 1994 (new pdf version 2003)