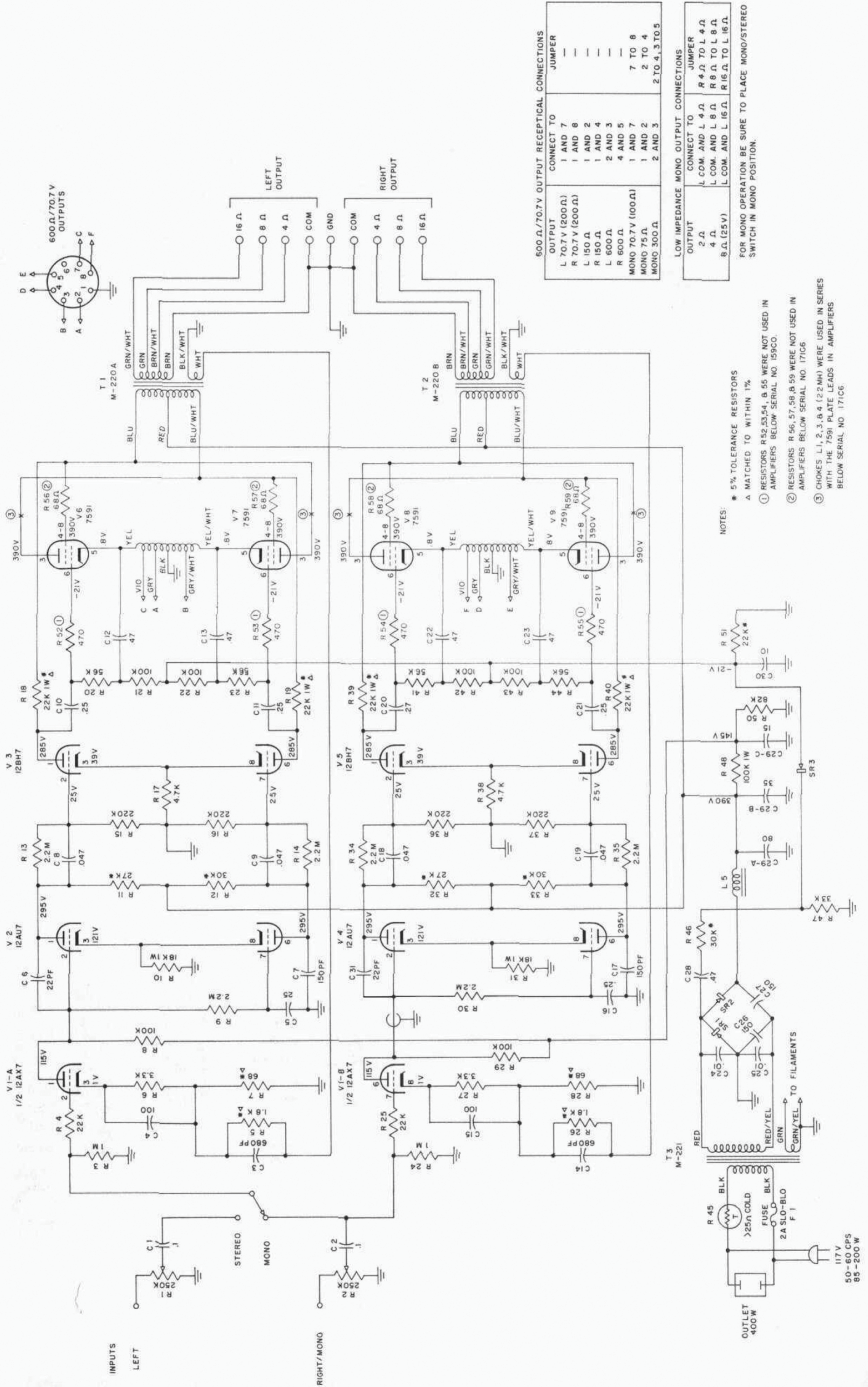


MC225 SCHEMATIC
(Schematic No. SC126-167A)



OUTPUT	CONNECT TO	JUMPER
L 70.7V (200Ω)	1 AND 7	—
R 70.7V (200Ω)	1 AND 8	—
L 150Ω	1 AND 2	—
R 150Ω	1 AND 4	—
L 600Ω	2 AND 3	—
R 600Ω	4 AND 5	—
MONO 70.7V (100Ω)	1 AND 7	7 TO 8
MONO 75Ω	1 AND 2	2 TO 4
MONO 300Ω	2 AND 3	2 TO 4, 3 TO 5

LOW IMPEDANCE MONO OUTPUT CONNECTIONS	CONNECT TO	JUMPER
OUTPUT	L COM. AND L 4Ω	R 4Ω TO L 4Ω
2Ω	L COM. AND L 8Ω	R 8Ω TO L 8Ω
4Ω	L COM. AND L 16Ω	R 16Ω TO L 16Ω
8Ω (25V)	L COM. AND L 16Ω	R 16Ω TO L 16Ω

FOR MONO OPERATION BE SURE TO PLACE MONO/STEREO SWITCH IN MONO POSITION.

- NOTES:
- * 5% TOLERANCE RESISTORS A MATCHED TO WITHIN 1%
 - ① RESISTORS R52, 53, 54, & 55 WERE NOT USED IN AMPLIFIERS BELOW SERIAL NO. 159C0.
 - ② RESISTORS R56, 57, 58, & 59 WERE NOT USED IN AMPLIFIERS BELOW SERIAL NO. 171C6.
 - ③ CHOKES L1, 2, 3, & 4 (22MH) WERE USED IN SERIES WITH THE 7591 PLATE LEADS IN AMPLIFIERS BELOW SERIAL NO. 171C6.

50-60 CPS
85-200 W