

heresy®

Quality sound system for theaters, homes and nightclubs; monitor for recording and broadcast studios; or other professional or serious amateur use where faithful reproduction is demanded.

The Klipsch Heresy® loudspeaker is a high-efficiency, low-distortion system covering a wide range of frequencies with an unusually smooth response. Bass range extends solidly from 50 Hz, usable to 45. In spite of the high quality, size has been brought to such a minimum as to classify this speaker as a "miniature" among speakers of this type. Although the woofer cavity is only 4.5 liters (1.6 ft.³), the

response, range and efficiency equal or exceed systems of considerably larger size. This loudspeaker affords the same smoothness of response as the Klipschorn, but the bass cutoff is approximately 20 Hz higher.

It is so shaped as to adapt it for over-proscenium-arch location where space to ceiling is limited to only 61 cm. (2 ft.), 40 cm. (1.3 ft.) if unit is oriented horizontally. Toe-in of 45 degrees is suggested.

Horn-loaded throughout its treble spectrum, it maintains low diaphragm amplitudes and velocities necessary for low modulation distortion. The resulting clarity, a feature of all our speakers, even at the volume levels required for

auditorium use, is typical of this highest level of quality. The Heresy® is a 3-way system with rugged phenolic diaphragms in the high-frequency horn drivers. It boasts response from 50 to 17,000 Hz, ± 5 dB.

- Unusually Smooth
- Compact Size
- Portable
- Accurate Reproduction
- 50-17,000 Hz
- Low Distortion
- High Efficiency
- 105 Watt Capacity
- Treble Horn Construction

klipsch®

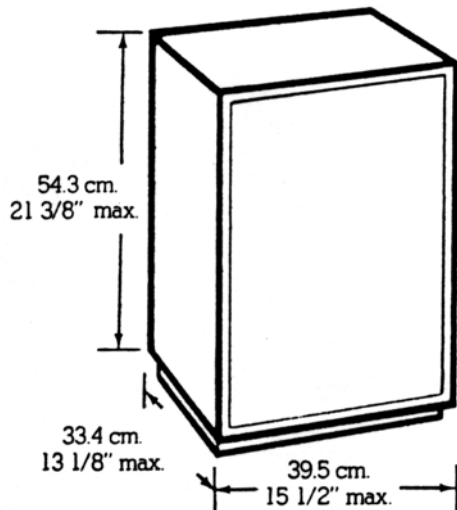
P.O. Box 688
Hope, Arkansas 71801
Phone 501-777-6751



SPECIFICATIONS

Power input Maximum 105 Watts (Program)
Fusing recommended 1 amp fast blow fuse.
Maximum 2 ampere

| | |
|------------------------------|---|
| Frequency Response ± 5 dB | 50 to 17,000 Hz |
| Sound pressure level | 96 dB for 1 Watt input ref. .0002 dyne/cm ² measured at 122 cm. (4 ft.) on axis |
| Impedance | 8 Ohms nominal |
| Drive components | Klipsch K-22 Woofer, Klipsch K-55-V Mid range driver on K-700 Horn and Klipsch K-77 Tweeter |
| Network | Type E-700/6000 Hz |
| Dimensions | Height 54.3 cm. (21 3/8") max. Width 39.5 cm. (15 1/2") max. Depth 33.4 cm. (13 1/8") max. |
| Weight | 25 kg. (55 lbs.) (shipping weight max.) |
| Finishes and Price | See catalog and price sheet |



klipsch[®]

heresy[®]

Loudspeaker System

Architects' and Engineers' Specifications

The speaker shall be of the total enclosure type with separate but integrally joined bass and treble horn systems of quality to conform to highest theater and home-use standards. The response shall be within peak-trough limits of 10 dB from 50 to 17,000 Hz and not more than 5 dB farther down at 45 to 18,000. Output shall be at least 96 dB at 122 cm. (4 ft.) with one watt input.

The high-frequency system shall comprise straight-axis horns; horns employing bends will not be acceptable due to inherent response errors. The horns shall provide a coverage of 80° horizontal, 30° vertical, with less than 10 dB loss at the stated extreme angles.

The low-frequency unit shall be of the direct-radiator, total-enclosure type with a single 31 cm. (12 in.) driver unit and a tightly enclosed back-air chamber.

The crossover frequencies shall be 700 Hz and 6000 Hz and the power input capacity shall be as tabulated. The speaker output shall be 90 dB SPL at 61 cm. (2 ft.) with less than 3% total modulation distortion.

The loudspeaker shall be the Klipsch Heresy.[®]

klipsch[®]

P.O. Box 688
Hope, Arkansas 71801



The mark of integrity in loudspeaker systems

Printed in U.S.A.