

## VISUAL DISPLAY DIPPING CABINETS



### SPECS AND FEATURES FOR VISUAL DISPLAY DIPPING CABINETS



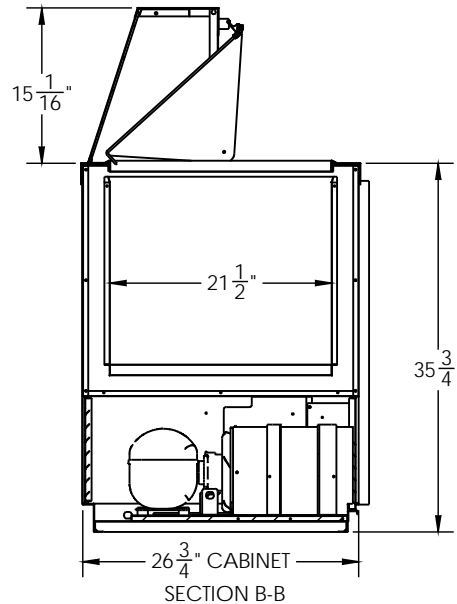
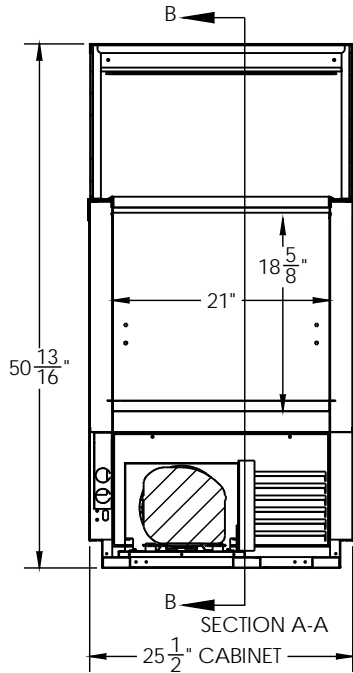
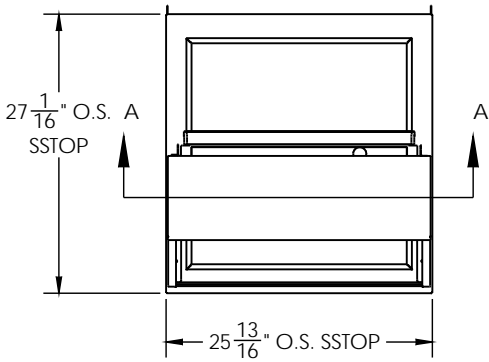
SQUARED VIEWING WINDOW  
 INTERIOR STAINLESS STEEL  
 GLASS CANOPY CONSTRUCTION  
 PTEG LIFT LIDS  
 LED LIGHTS



COLD WALL EVAPORATORS  
 MANUAL DEFROST  
 FORCED-AIR TUBULAR CLOG FREE CONDENSOR  
 ELECTRONIC PROGRAMMABLE TEMPERATURE CONTROL

MODEL	4DIP, 27"	6DIP, 37"	8DIP, 47"	10DIP, 57"	12DIP, 67"	16DIP, 87"
TUB CAPACITY	(4) 3-GAL TUBS	(8) 3-GAL CANS	(12) 3-GAL CANS	(16) 3-GAL CANS	(20) 3-GAL CANS	(28) 3-GAL CANS
TOP FACING	4 FACING	6 FACING	8 FACINGS	10 FACINGS	12 FACINGS	16 FACINGS
BOTTOM STORAGE	n/a	2 STORAGE	4 STORAGE	6 STORAGE	8 STORAGE	12 STORAGE
TEMP RANGE	-10 DEG F. TO +20 DEG F.	-10 DEG F. TO +20 DEG F.	-10 DEG F. TO +20 DEG F.	-10 DEG F. TO +20 DEG F.	-10 DEG F. TO +20 DEG F.	-10 DEG F. TO +20 DEG F.
COMPRESSOR H.P.	1/5 H.P. DLE4CN	1/3 H.P. NLE8.8CN	1/3 H.P. NLE8.8CN	1/2 H.P. NLE11CN	5/8 H.P. SC16CLX.2	3/4 H.P. SC18CLX.2
ELECTRICAL - STD	115 V., 8 AMPS	115 V., 8 AMPS	115 V., 8 AMPS	115 V., 8 AMPS	115 V., 8 AMPS	115V., 10 AMPS
OPTIONAL	220V., 4 AMPS	220V., 4 AMPS	220V., 4 AMPS	220V., 4 AMPS	220V., 4 AMPS	220V., 6 AMPS
REFRIGERANT	R290	R290	R290	R290	R452	R452

# 4DIP



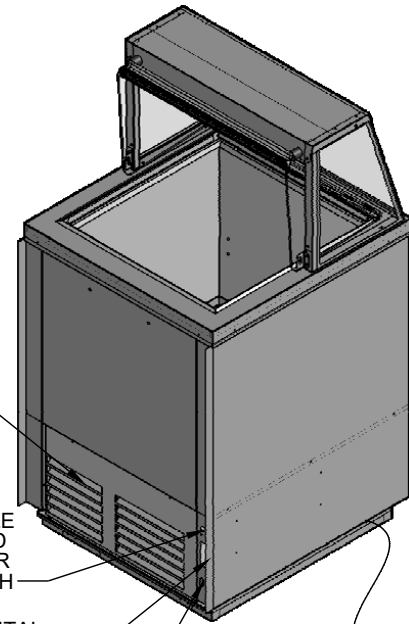
1" DRAIN  
BEHIND  
LOUVER

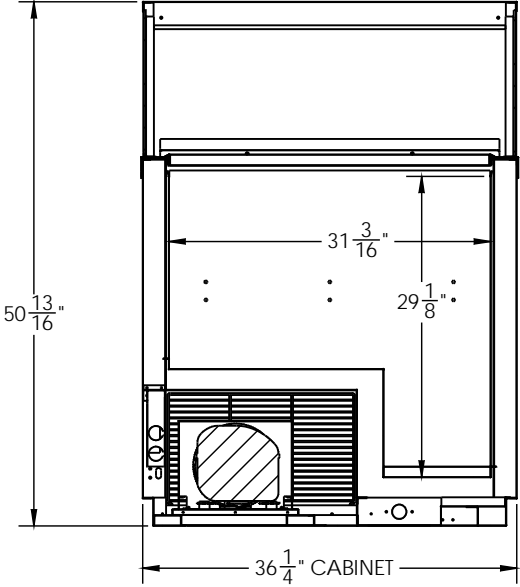
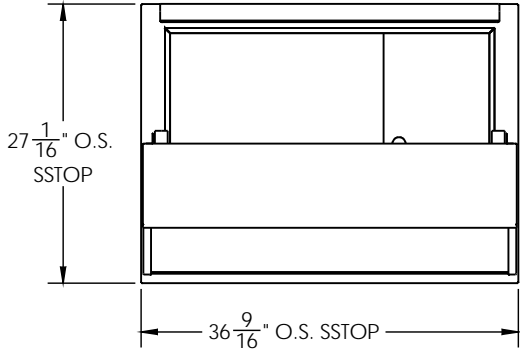
SNEEZE  
GUARD  
POWER  
SWITCH

DIGITAL  
CONTROL

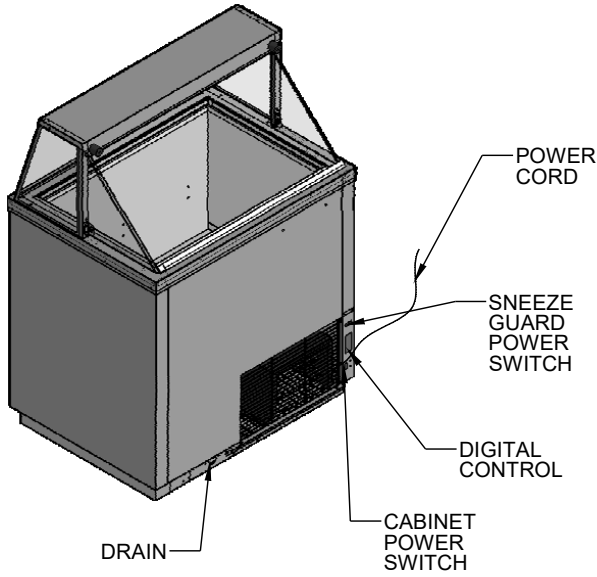
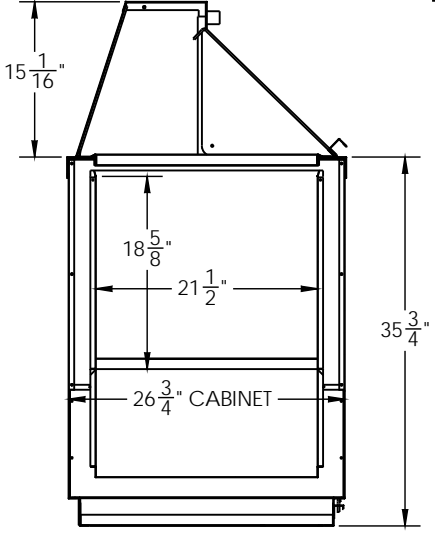
CABINET  
POWER  
SWITCH

POWER  
CORD

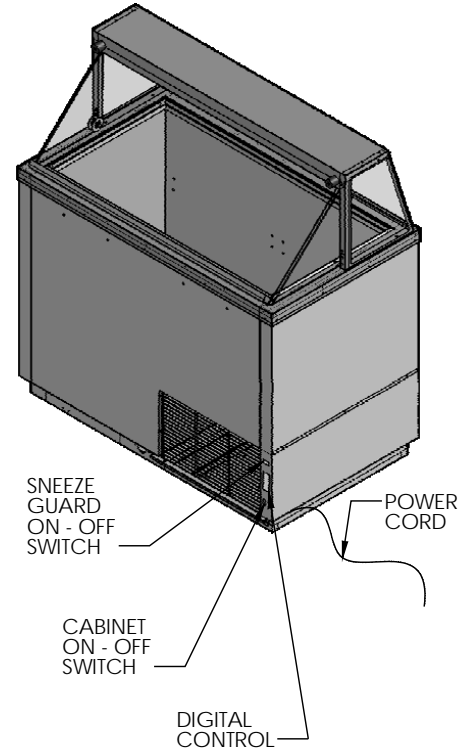
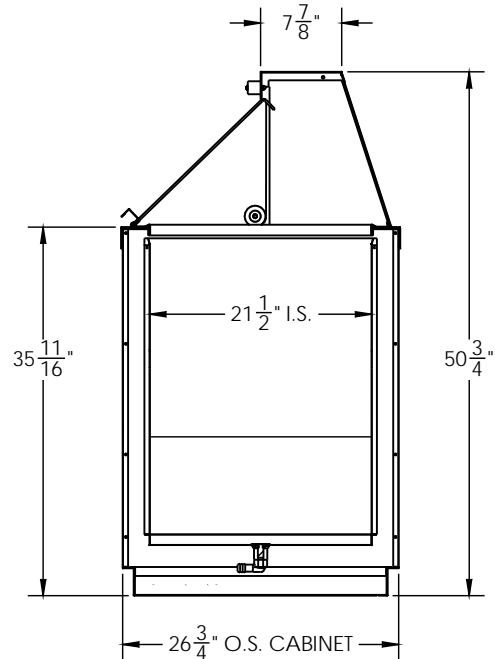
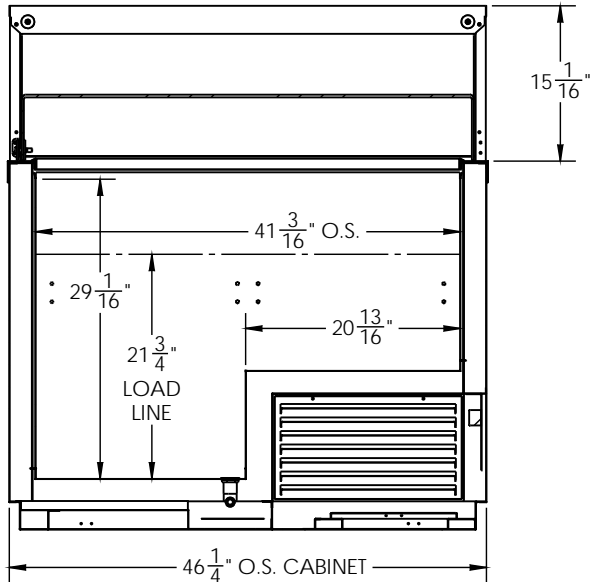
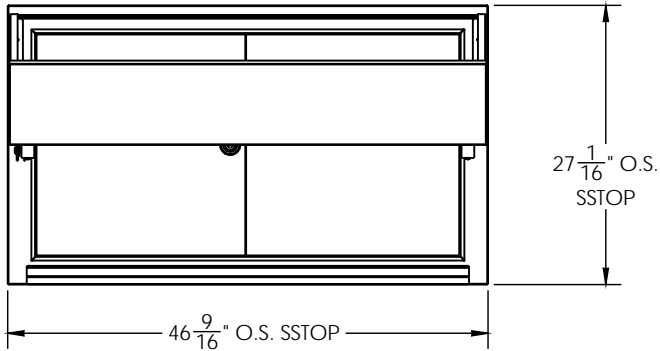




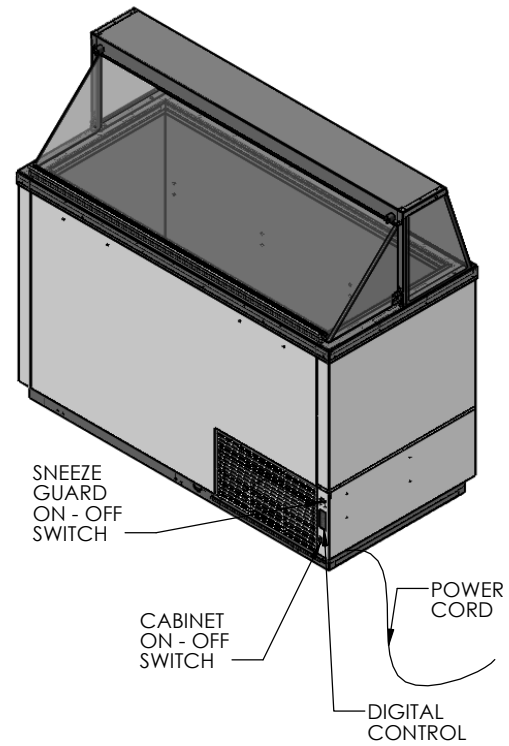
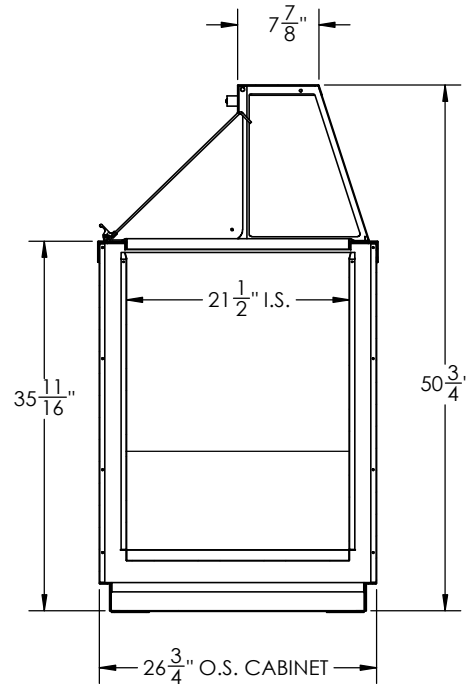
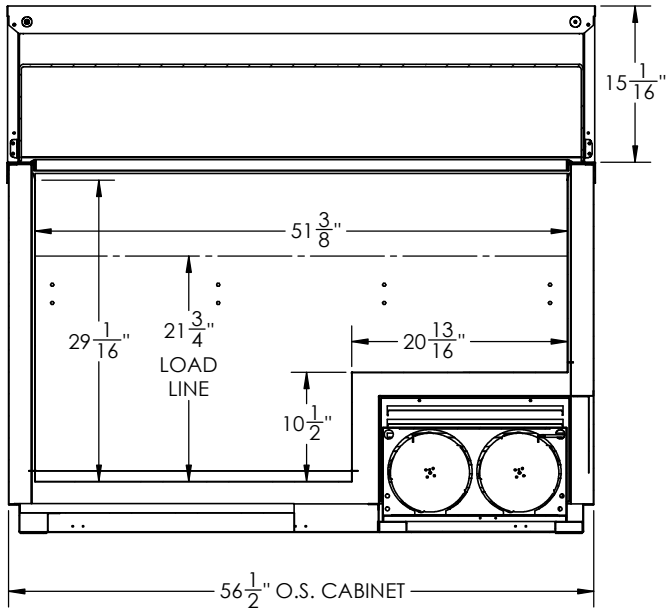
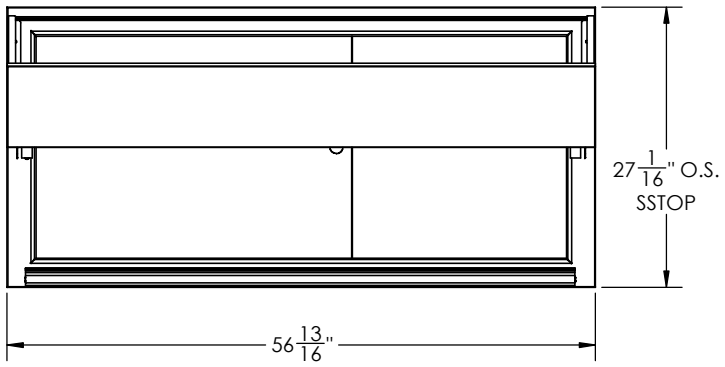
# 6DIP



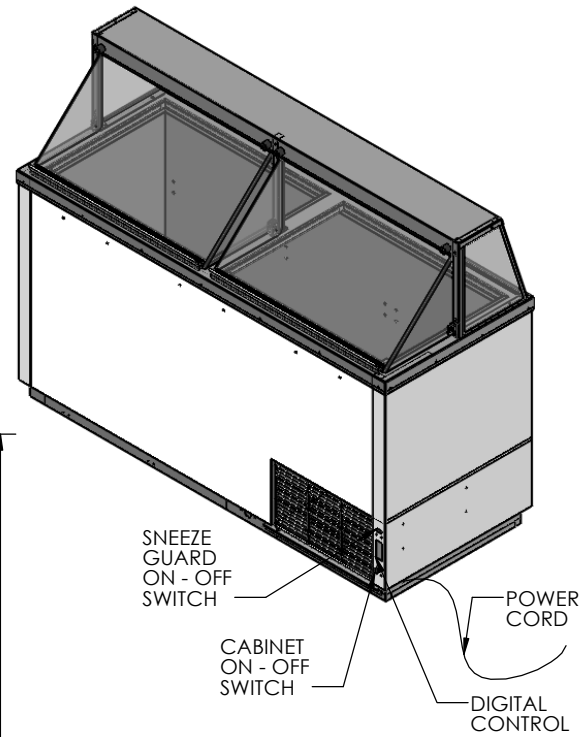
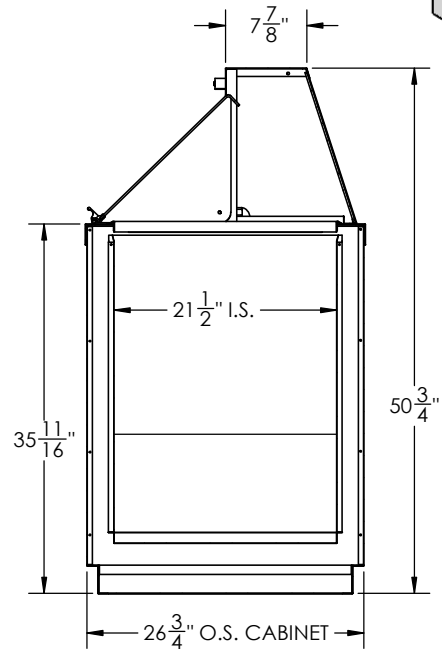
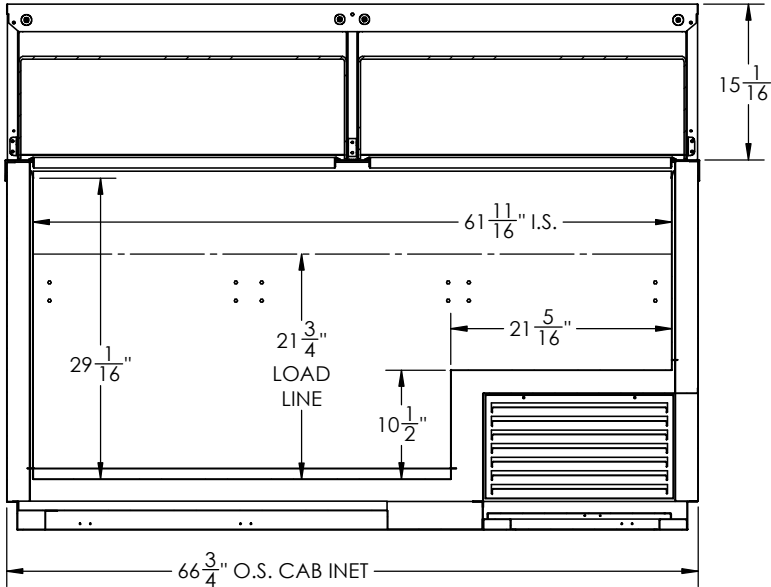
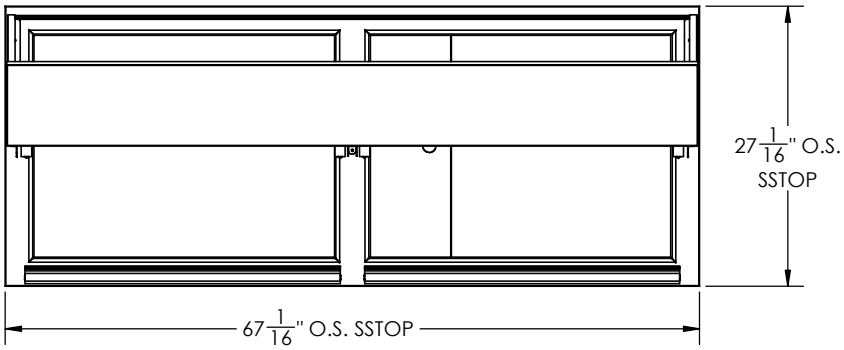
# 8DIP

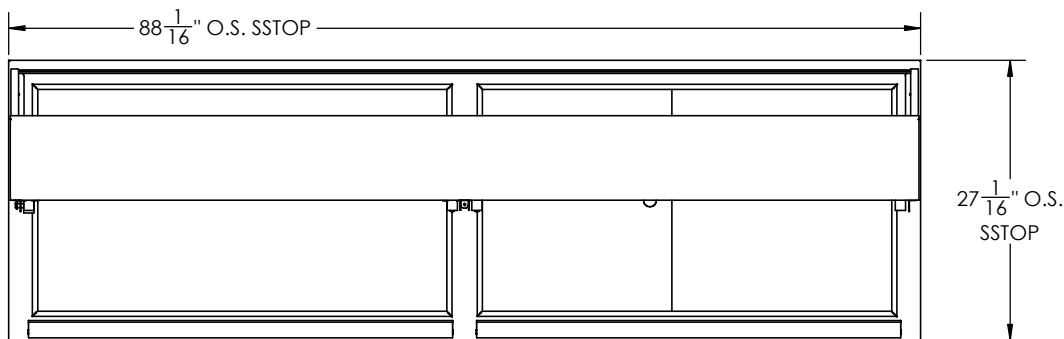


# 10DIP



# 12DIP





16DIP

