

KOREIA Gelato Display Case/Showcase comes in 44.109", 64.76" or 85.43" lengths. It holds 5 or 12 liter pans, air cooled self-contained refrigeration, tempered double pane heated glass front & sides. It features hydraulic lift up front glass, rear plexiglass sliding doors, digital diagnostic control with programmable defrosting, & removable stainless steel deck. The body is 304 high gloss stainless steel back & inside with silver anodized aluminum trim. Gelato pans are sold separately. It comes with a service merchandiser, cooler, dipping cabinet, & showcase comes with factory standard, matte white front & side panels.

Model No.	Application	Description	Height	Length	Depth	Crated Weight	Voltage	Amps	BTU's	HP
KOR-G6-52-44-P5	Gelato	Pan 5 liter x 12	51.96"	44.09"	43.85"	910#	220/60/1	9	3069	1½ HP
KOR-G6-52-44-P12	Gelato	Pan 12 liter x 8	51.96"	44.09"	43.85"	910#	220/60/1	9	3069	1½ HP
KOR-G6-57-44-P5	Gelato	Pan 5 liter x 12	57.08"	44.09"	43.85"	954#	220/60/1	9	3069	1½ HP
KOR-G6-57-44-P12	Gelato	Pan 12 liter x 8	57.08"	44.09"	43.85"	954#	220/60/1	9	3069	1½ HP
KOR-G9-52-65-P5	Gelato	Pan 5 liter x 18	51.96"	64.76"	43.85"	1130#	220/60/1	10	6138	2 HP
KOR-G9-52-65-P12	Gelato	Pan 12 liter x 12	51.96"	64.76"	43.85"	1130#	220/60/1	10	6138	2 HP
KOR-G9-57-65-P5	Gelato	Pan 5 liter x 18	57.08"	64.76"	43.85"	1130#	220/60/1	12	6138	2 HP
KOR-G9-57-65-P12	Gelato	Pan 12 liter x 12	57.08"	64.76"	43.85"	1130#	220/60/1	12	6138	2 HP
KOR-G12-52-86-P5	Gelato	Pan 5 liter x 24	51.96"	85.43"	43.85"	1240#	220/60/1	16	7850	2x1 HP
KOR-G12-52-86-P12	Gelato	Pan 12 liter x 16	51.96"	85.43"	43.85"	1240#	220/60/1	16	7850	2x1 HP
KOR-G12-57-86-P5	Gelato	Pan 5 liter x 24	57.08"	85.43"	43.85"	1284#	220/60/1	16	7850	2x1 HP
KOR-G12-57-86-P12	Gelato	Pan 12 liter x 16	57.08"	85.43"	43.85"	1284#	220/60/1	16	7850	2x1 HP
KOR-GA30-52-A&B-P5	Curved Gelato	Pan 5 liter x 12	51.96"	A & B	43.85"	1020#	220/60/1	10	3069	1½ HP
KOR-GA30-52-A&B-P12	Curved Gelato	Pan 12 liter x 8	51.96"	A & B	43.85"	1020#	220/60/1	10	3069	1½ HP
KOR-GA30-57-A&B-P5	Curved Gelato	Pan 5 liter x 12	57.08"	A & B	43.85"	1020#	220/60/1	10	3069	1½ HP
KOR-GA30-57-A&B-P12	Curved Gelato	Pan 12 liter x 8	57.08"	A & B	43.85"	1020#	220/60/1	10	3069	1½ HP
KOR-GA45-52-A&B-P5	Curved Gelato	Pan 5 liter x 9	51.96"	A & B	43.85"	844#	220/60/1	10	3069	1½ HP
KOR-GA45-52-A&B-P12	Curved Gelato	Pan 12 liter x 5	51.96"	A & B	43.85"	844#	220/60/1	10	3069	1½ HP
KOR-GA45-57-A&B-P5	Curved Gelato	Pan 5 liter x 9	57.08"	A & B	43.85"	844#	220/60/1	10	3069	1½ HP
KOR-GA45-57-A&B-P12	Curved Gelato	Pan 12 liter x 5	57.08"	A & B	43.85"	844#	220/60/1	10	3069	1½ HP

Features

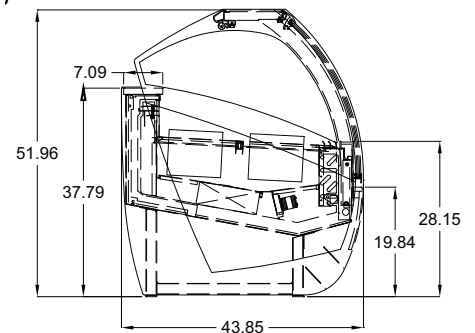
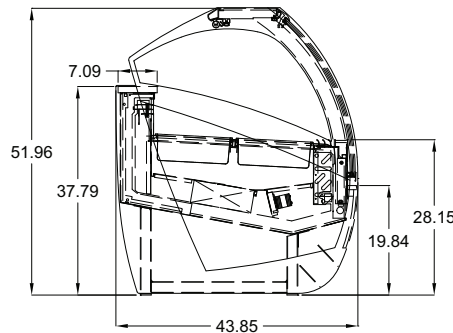
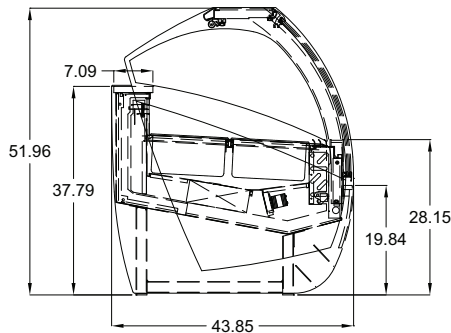
- Hydraulic Lift Up Front Glass
- Tempered Double Pane Front and Side Glass Heated on Gelato/Ice Cream Application
- Two Heights Profile: 51.96" and 57.08"
- Available in Linear, 30 and 45 Degrees Profiles
- Tempered Double Paned Front Glass
- Stainless Steel Work Surface
- Low Profile Pan Display on Gelato/Ice Cream Application
- 28" High Display Above Finished Floor
- All Tempered, Double Pane Heated Glass on Front and Sides
- Galvanized Steel Chassis Construction
- Insulated with Dense Non-CFCEcologic Polyurethane Foam
- Back and Inside Structure Made of High Gloss 304 Stainless Steel
- Digital Diagnostic Control System with Programmable Defrosting
- Rear Plexiglass Sliding Doors
- Air-Cooled Condensing Unit
- Unique Fan Assisted Airflow Design

- Removable Stainless Steel Deck
- Hydraulic Lift Up Front Glass
- Silver Anodized Aluminum Trim
- Stainless Steel Work Surface
- Multiplexing Capability
- Display Case(s) to Be Shipped Fully Assembled
- Display Case(s) Have Intergrated Electronic Time and Temperature Controller(s) with Hot Gas Defrost Standard on Gelato Models
- Temperature Range: -10° to +10°

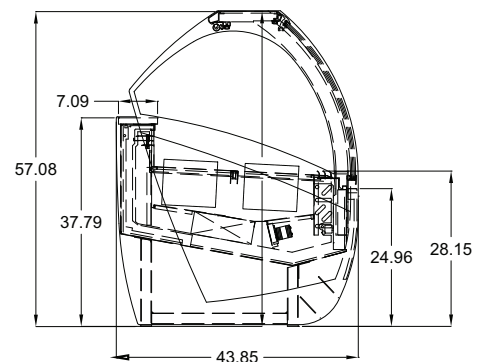
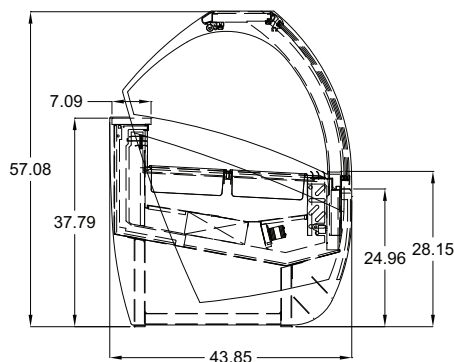
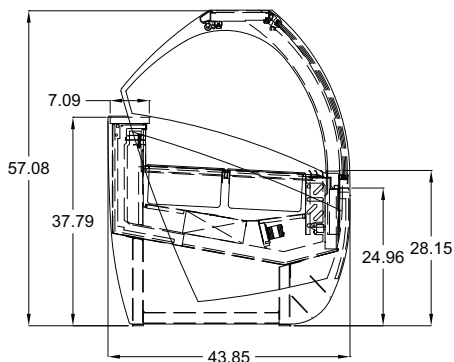
Optional Features

- Available in Linear and Curved Designs
- Casters
- Granite Work Surface (Operator Side)
- Remote Condensing Unit
- Optional Front and Side Panels and RAL Custom Color Options

SIDE VIEW 51.96" H Detailed



SIDE VIEW 57.08" H Detailed



Required ambient conditions: 75°F; 55% Relative Humidity
 Drawings and Specification are subject to change without notice.

ELECTRICAL CONNECTION:

Display cases are shipped with applicable junction box for hardwired installation
 Options exist for several NEMA configurations
 Plug and/or receptacle configurations are at the discretion of the electrical installer

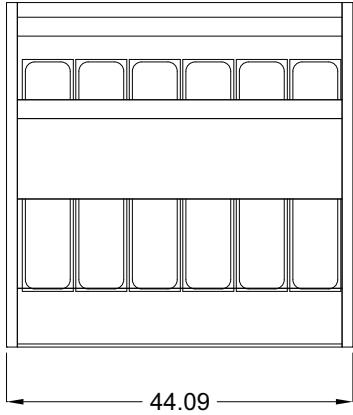
Product Specification Sheet

Model Style: KOREIA - Gelato

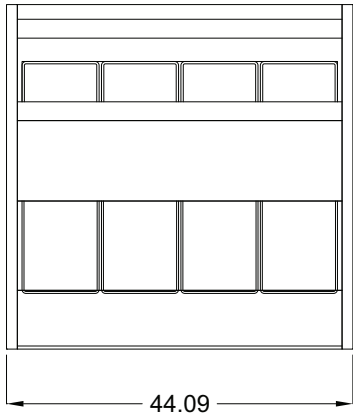
44.09" Length Plan & Design Views

PLAN & DESIGN VIEWS

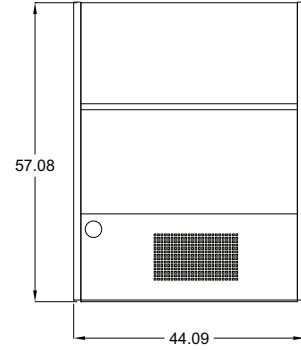
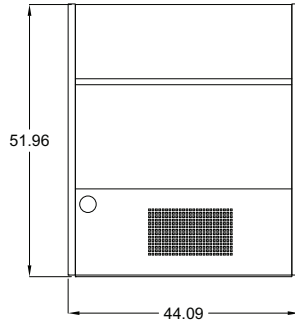
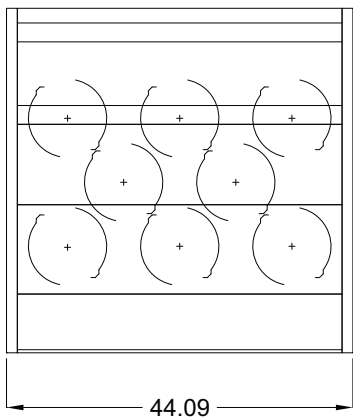
5 Liter Pans



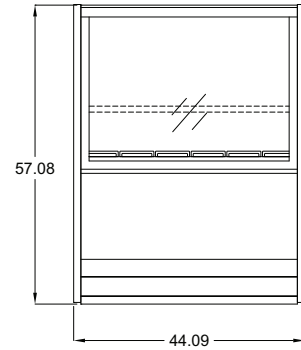
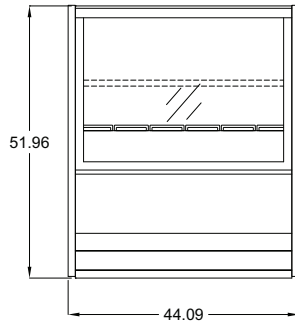
12 Liter Pans



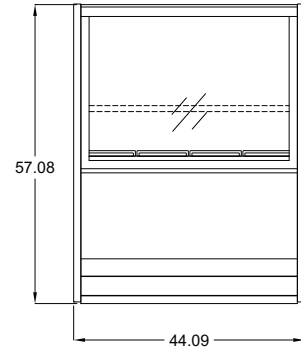
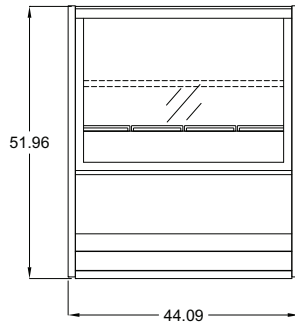
Round Pans



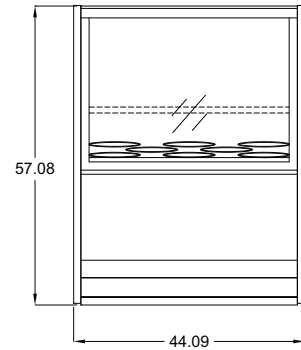
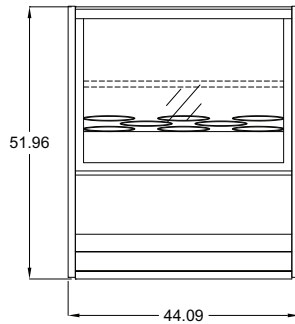
Rear View



Front View
5 Liter Pans



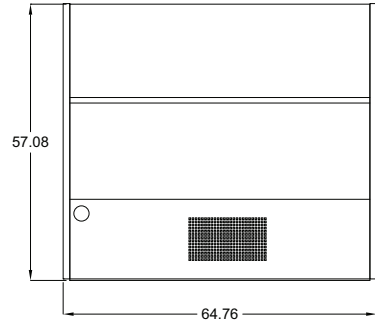
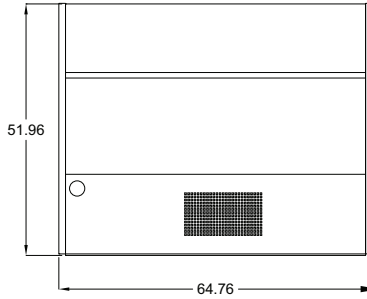
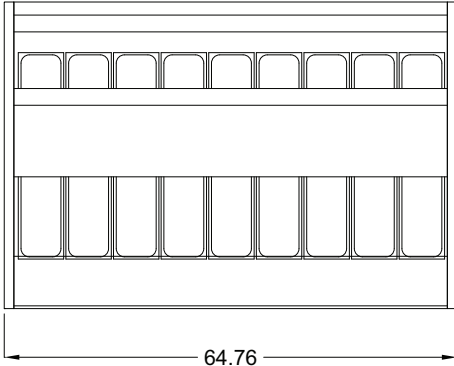
Front View
12 Liter Pans



Front View
Round Tubs

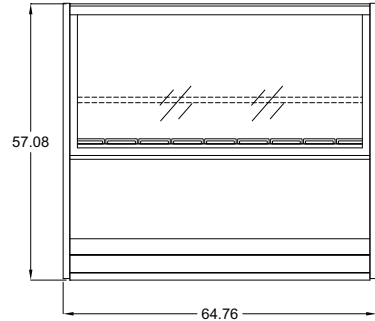
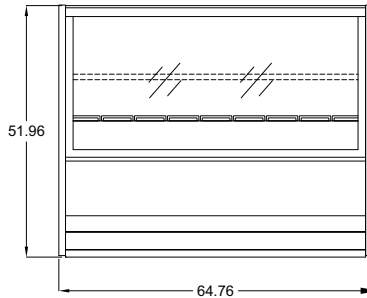
PLAN & DESIGN VIEWS

5 Liter
Pans



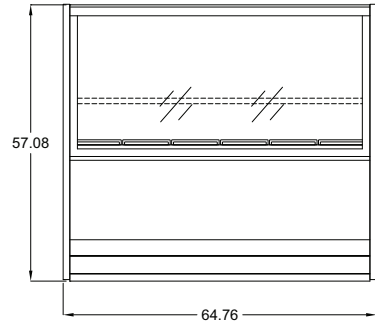
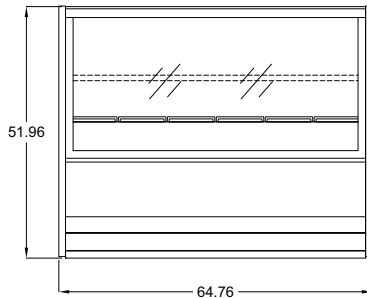
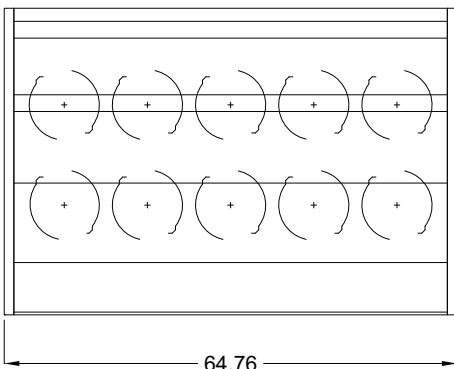
Rear View

12 Liter
Pans



Front View
5 Liter Pans

Round
Pans

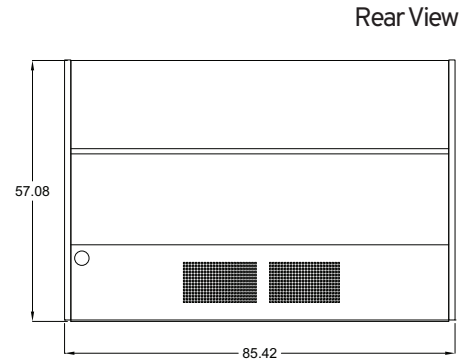
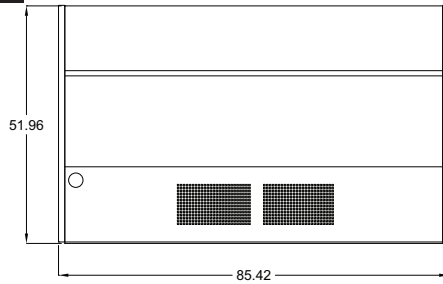
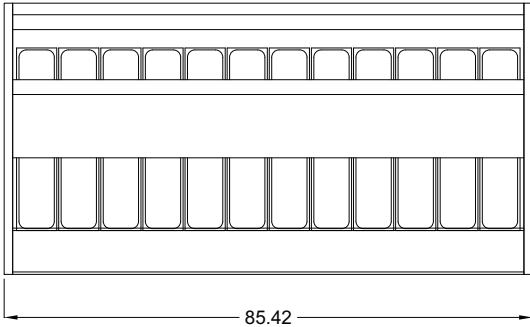


Front View
12 Liter Pans

Front View
Round Tubs

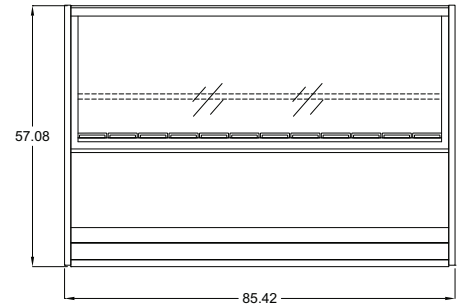
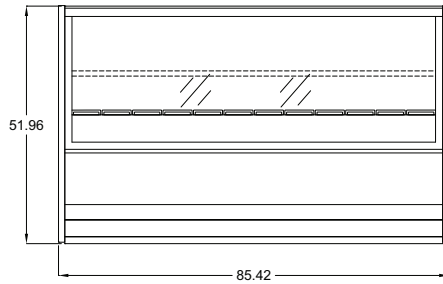
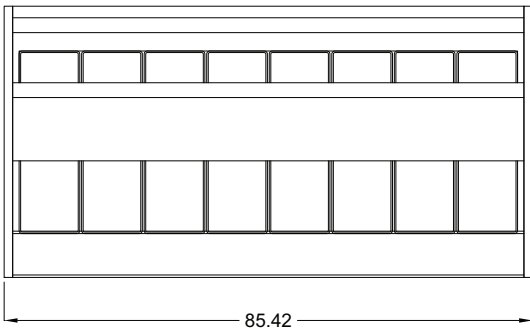
PLAN & DESIGN VIEWS

5 Liter
Pans



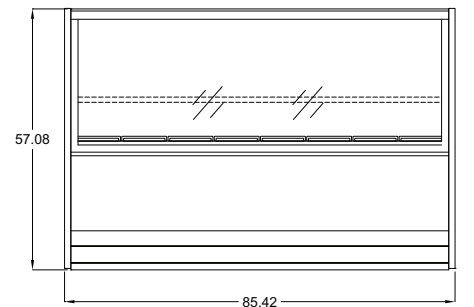
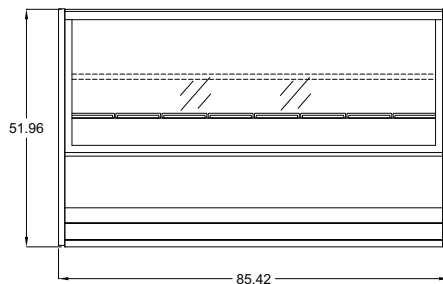
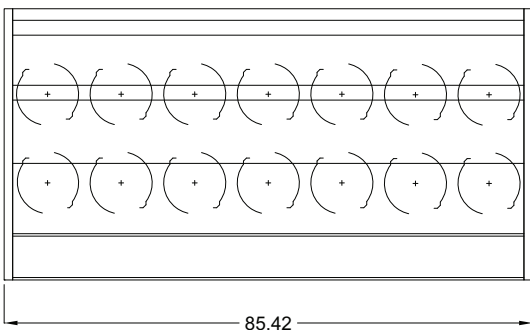
Rear View

12 Liter
Pans



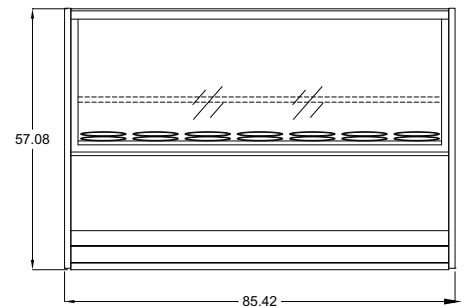
Front View
5 Liter Pans

Round
Pans



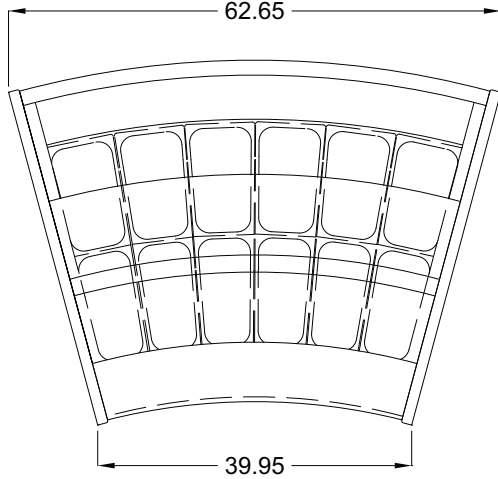
Front View
12 Liter Pans

Front View
Round Tubs



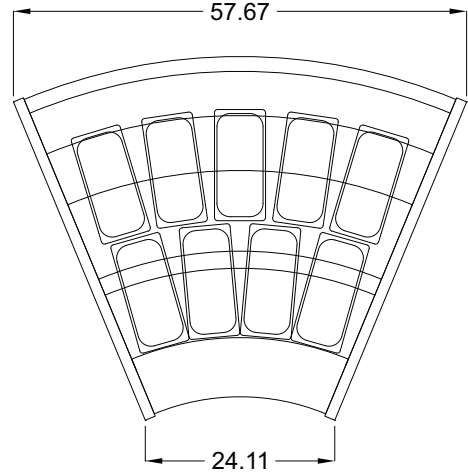
Product Specification Sheet
Model Style: KOREIA - Gelato
 A30 & A45 Pan Design Views

A30 Curved Unit

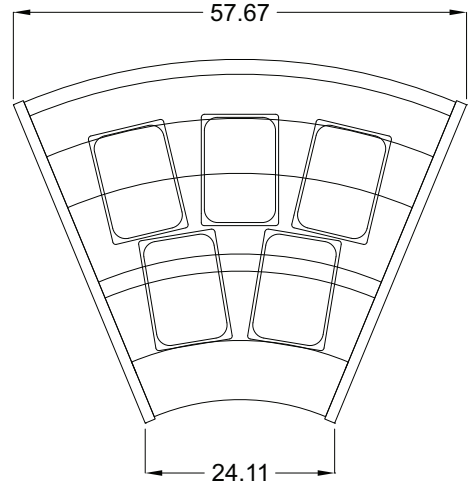
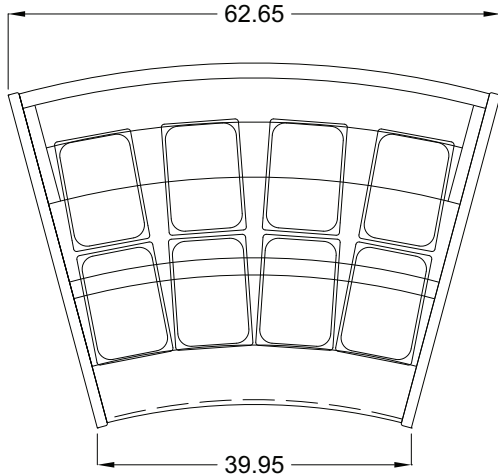


5 Liter Pans

A45 Curved Unit



12 Liter Pans



Round Tubs

