



2SF



4DF



8DF

## LOW TEMPERATURE CHEST CABINETS

Global's low temperature chest cabinets manufactured using the patented Kelvinator refrigeration design are legendary for quality, reliability, durability and top performance.

The chest cabinets are designed to be virtually maintenance free and provide whisper quiet operation via the radiant shell and non-clogging condenser.

The product line offers single and double row models in a variety of sizes.



All products are certified for energy, safety and sanitation. NSF/ANSI 7 Standards

### FEATURES

- Digital temperature controller with LED display
- Interior Cavity Temperature Range 0°F to -20°F
- Patented Kelvinator refrigeration design
- 20 gauge steel with white powder coat paint interior & exterior
- Stainless steel lids foamed in place with tight vinyl chamber guards
- Cold Wall Evaporator
- Manual defrost
- Bottom drain for easy cleaning
- Energy Star

### ACCESSORIES

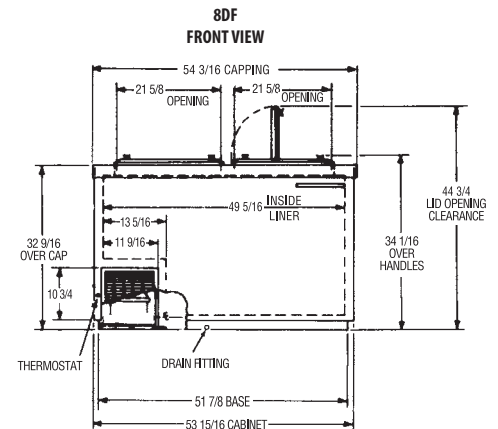
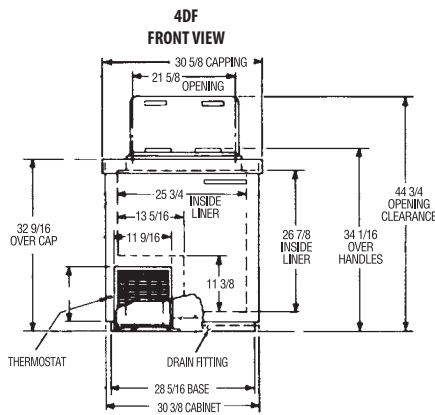
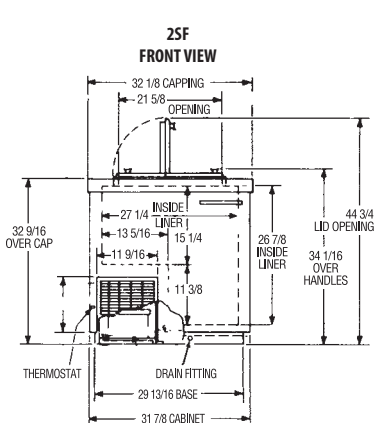
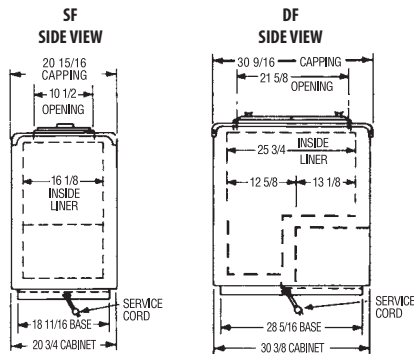
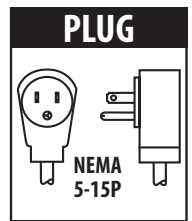
- Dipperwell Kit
- Dipperwell Adapter Kit
- Caster Kits
- Leg Kits
- Stainless Steel Exterior

# LOW TEMPERATURE CHEST CABINETS

## TECHNICAL DATA

MODEL	2SF	4DF	6DF	8DF
<b>Temp Range</b>	0°F to -20°F	0°F to -20°F	0°F to -20°F	0°F to -20°F
<b>Exterior Dimensions</b>				
Length	32.13"	30.63"	43.07"	54.19"
Depth	20.94"	30.56"	30.56"	30.56"
Height	34.06"	34.06"	34.06"	34.06"
<b>Capacity</b>				
Capacity (3-gal. tubs)	4	9	16	21
Facings (3-gal. tubs)	3	6	9	12
Storage (3-gal. tubs)	1	3	7	9
<b>Compressor</b>				
Compressor	Hermetic	Hermetic	Hermetic	Hermetic
<b>Shipping Weight</b>				
Shipping Weight	275 lbs.	300 lbs.	380 lbs.	395 lbs.
<b>Condensor Type</b>				
Condensor Type	Radiant Shell	Radiant Shell	Radiant Shell	Radiant Shell
<b>Electrical</b>				
Electrical	NEMA 5-15P	NEMA 5-15P	NEMA 5-15P	NEMA 5-15P
<b>Rated Amps</b>				
Rated Amps	4.0	4.5	4.5	6.0
<b>Volts</b>				
Volts	115/60/1	115/60/1	115/60/1	115/60/1

## SPECIFICATIONS



Cabinet designed for optimum performance in air-conditioned area at 70°F to 75°F ambient temperature and 50% to 55% relative humidity.

Global Refrigeration, Inc., reserves the right to change specifications, terms, and prices without notice.