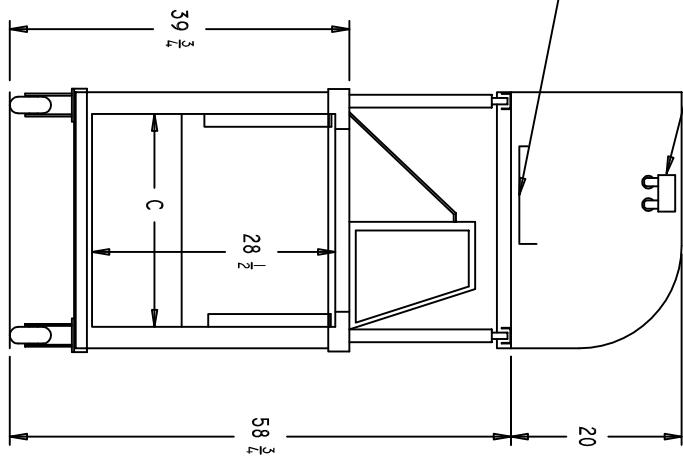
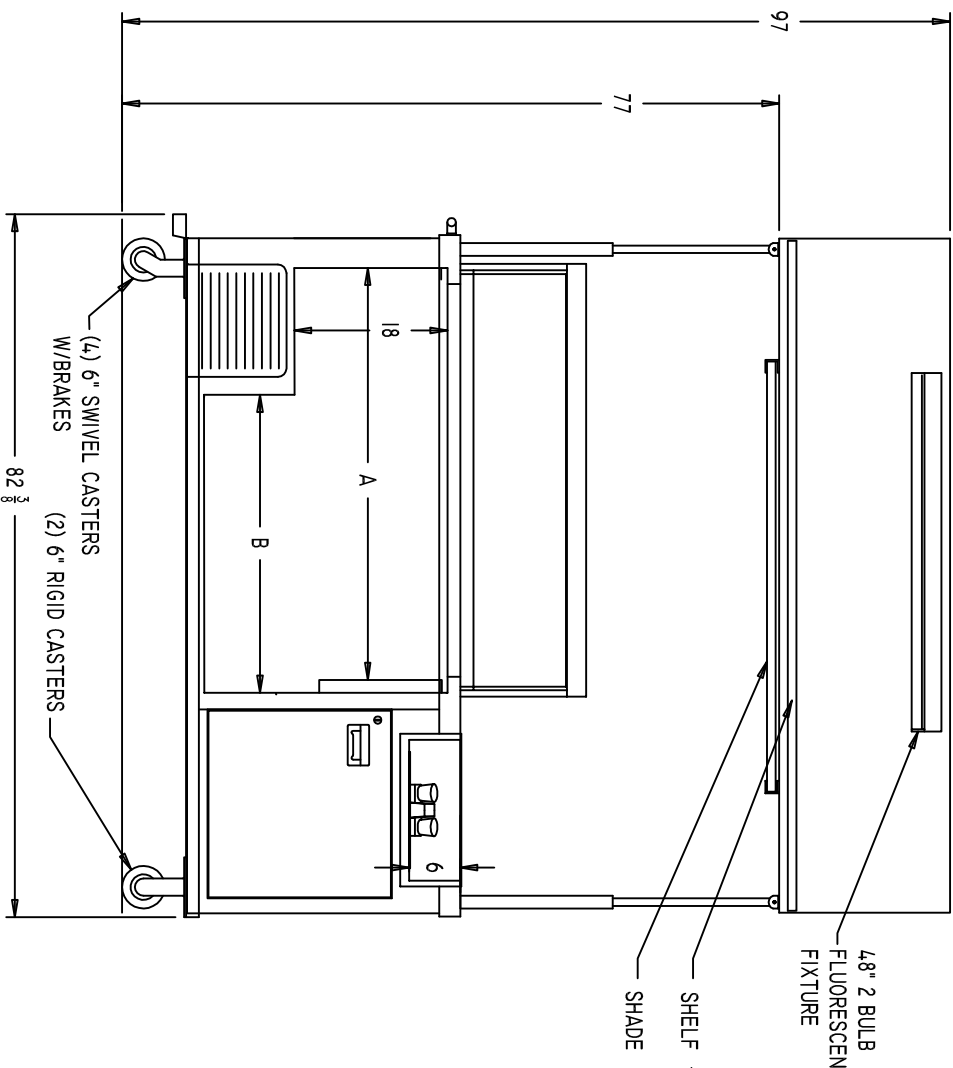


LABEL	DIM. WITH COLD PLATE	DIM. W/O COLD PLATE
A	47 ¹ / ₂	49 ¹ / ₂
B	32 ¹ / ₂	34 ¹ / ₂
C	22	25

MEETING HEALTH DEPARTMENT
 REQUIREMENTS ARE THE RESPONSIBILITY
 OF THE CUSTOMER



REV. _____

C. NELSON MFG.

TITLE: BD8-DIPCE WITH SINK

USED ON: FINISHED GOODS

DWN. BY: JED

DATE: 04/21/08

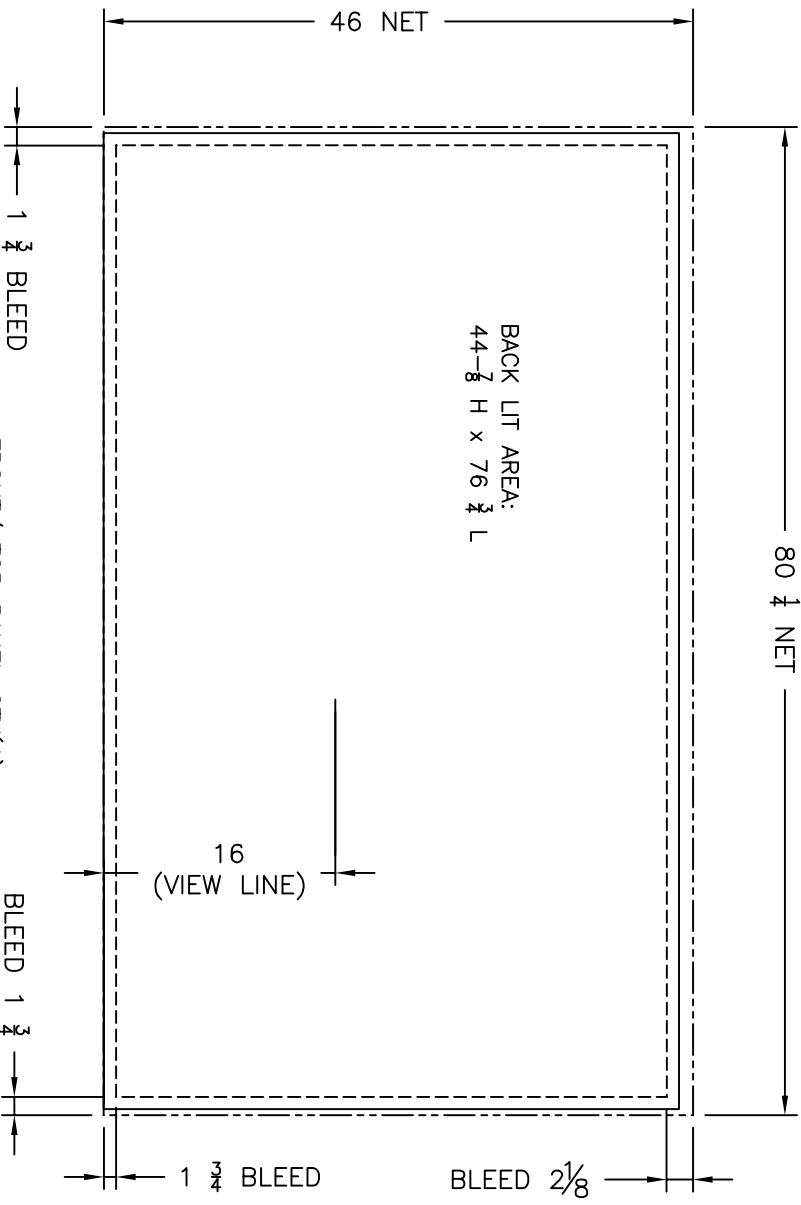
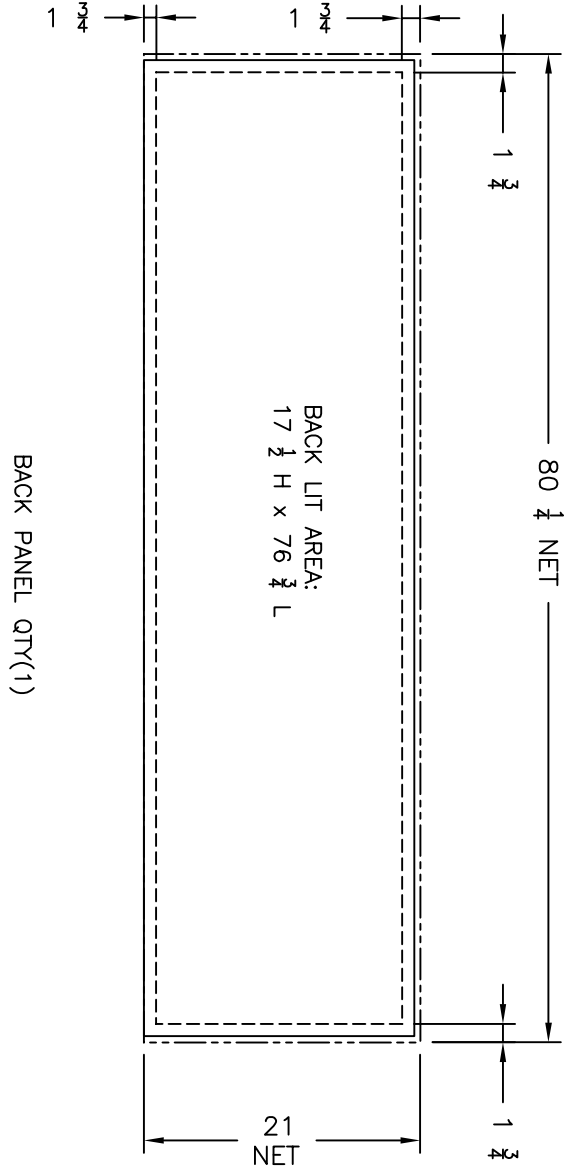
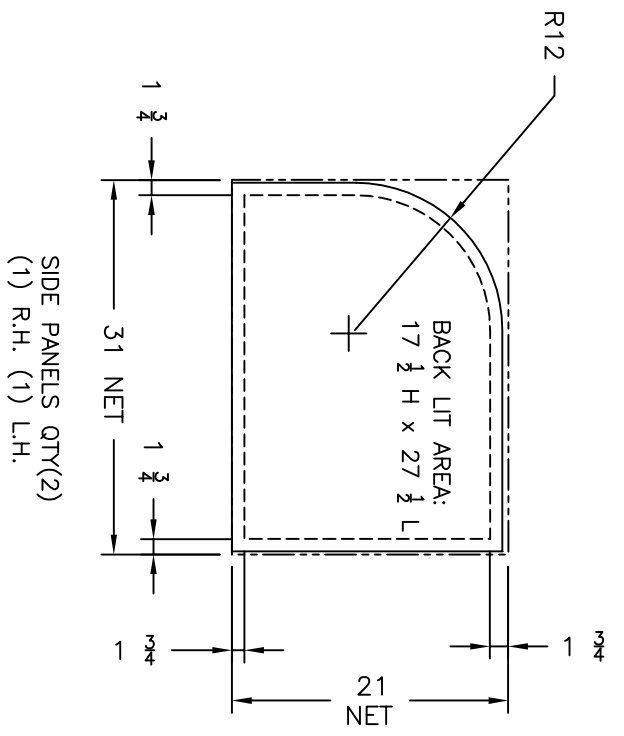
SCALE: AUTO

PART NO.: BD8-DIPCE-03

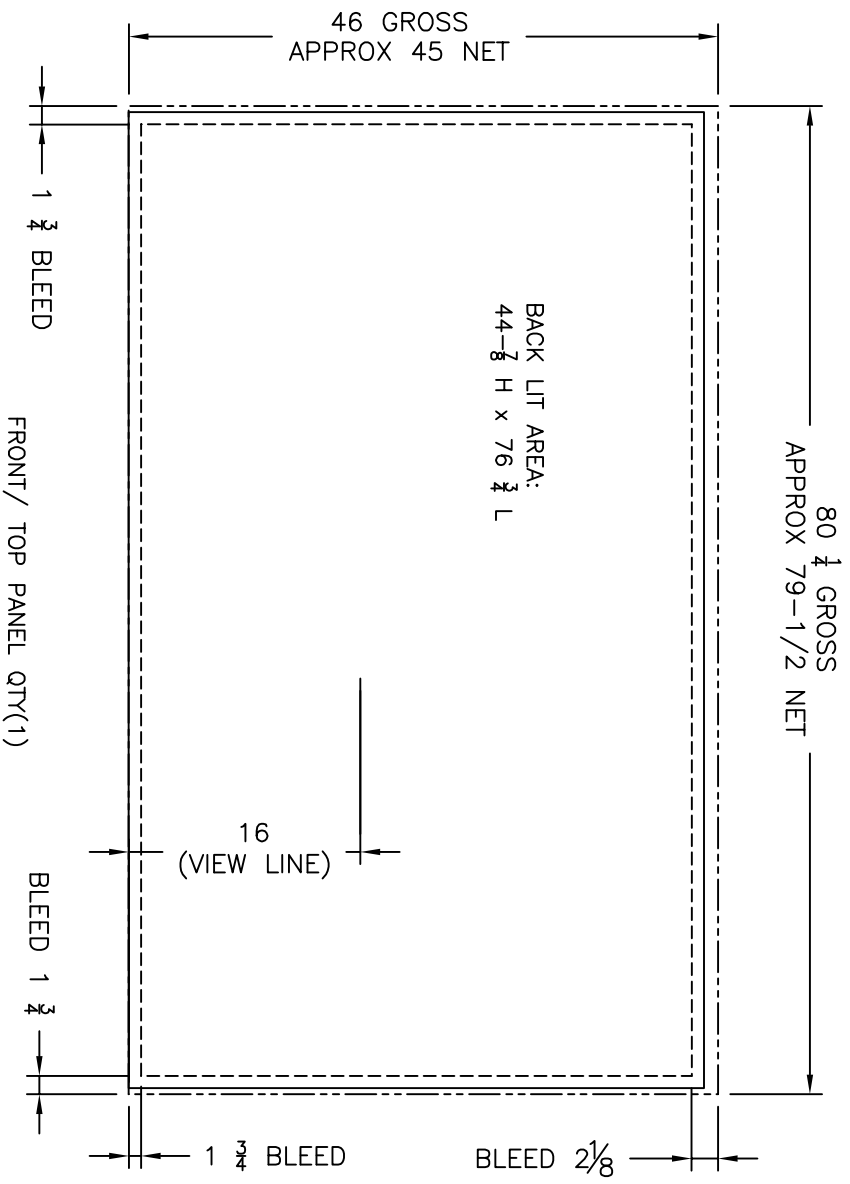
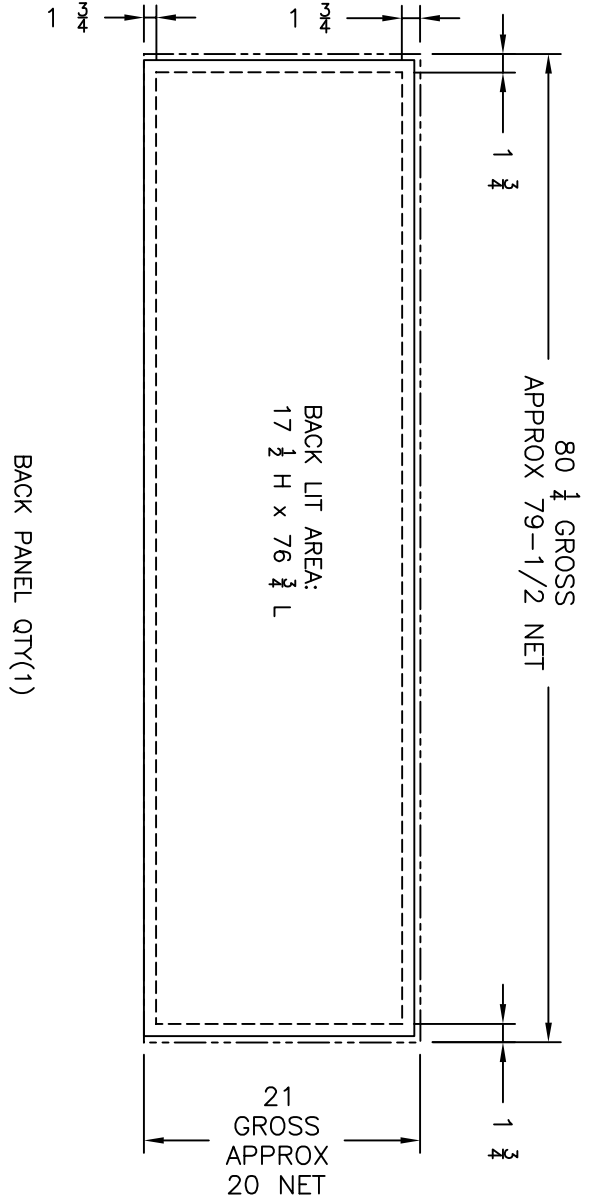
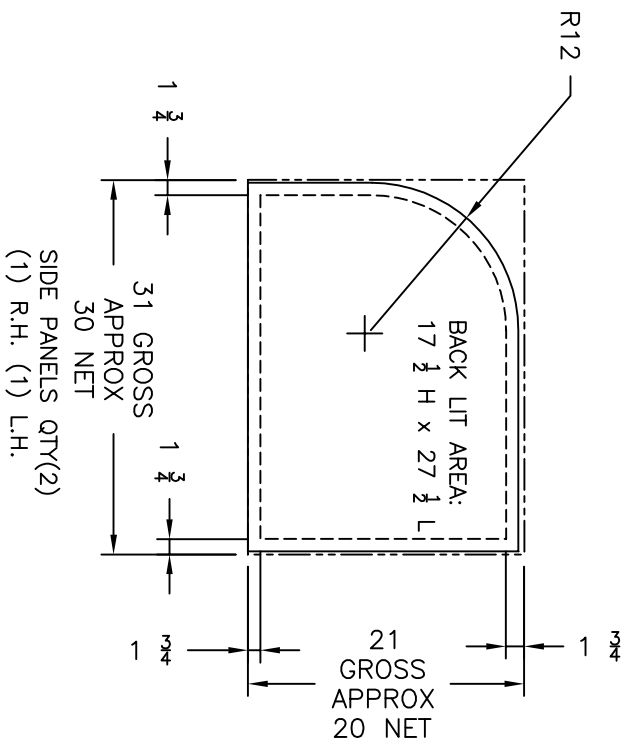
REV. _____

1 OF 1

NR

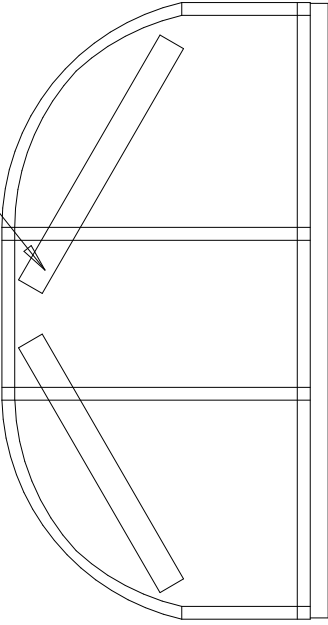


REV.	C. NELSON MFG.	
TITLE:	BD8CE CANOPY PANEL LAYOUT	
USED ON:	BD-8CE W/24" EXT.	2 OF 2
DWN. BY:	JED	
DATE:	02/05/10	
SCALE:	AUTO	
PART NO.:	BD8CE(DIP)-01-02-03	REV. NR

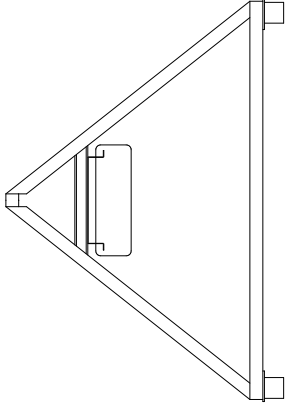


REV.	C. NELSON MFG.	
TITLE:	BD8CE CANOPY PANEL LAYOUT	
USED ON:	BD-8CE W/24" EXT.	2 OF 2
DWN. BY:	JED	
DATE:	02/05/10	
SCALE:	AUTO	
PART NO.:	BD8CE(DIP)-01-02-03	REV. NR

FLORESCENT LIGHTS

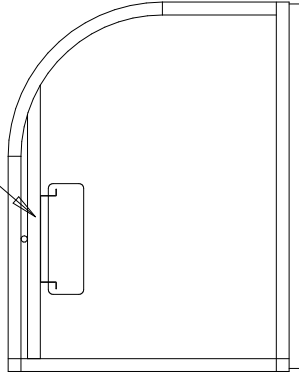


(1) DOME

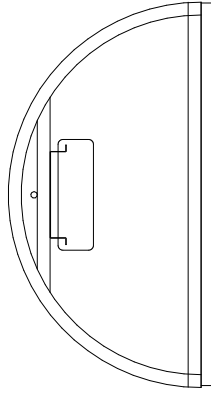


(2) TENT

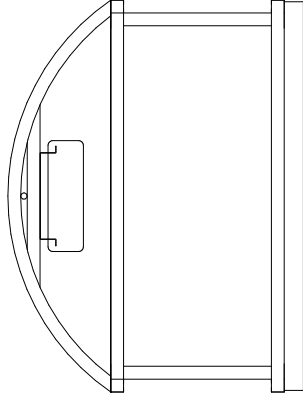
FLORESCENT LIGHT



(3) 1/4 ROUND



(4) BARREL
OR 1/2 ROUND



(5) DOME WITH
INSERTS

REVISIONS

C. NELSON MFG. °

DWN: IMP DATE: 11/19/96

SCALE: 1/16

TITLE: CANDY EXAMPLES

PART No. : 22-994

REV