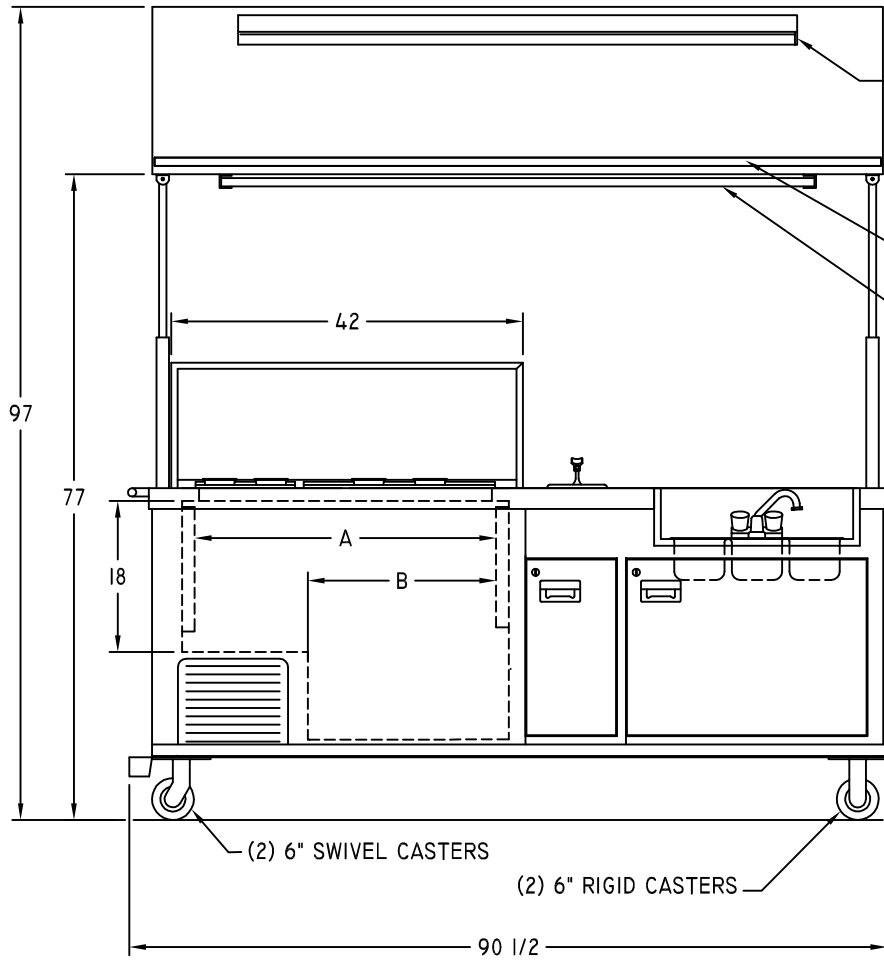


LABEL	DIM. WITH COLD PLATE	DIM. W/O COLD PLATE
A	36	39
B	22 1/2	24
C	22	25

MEETING HEALTH DEPARTMENT
REQUIREMENTS ARE THE
RESPONSIBILITY OF THE CUSTOMER



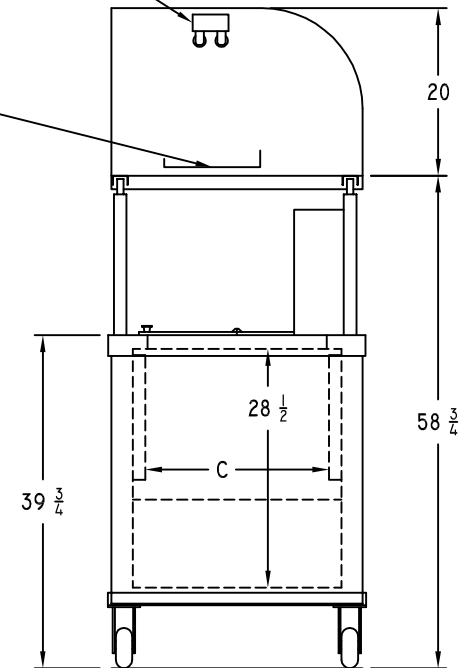
48" 2 BULB
FLUORESCENT
FIXTURE

SHELF

SHADE

(2) 6" SWIVEL CASTERS

(2) 6" RIGID CASTERS



REV.

C. NELSON MFG.

TITLE: BD6-CE WITH TRIPLE BOWL SINK & DIPWELL

USED ON: FINISHED GOODS

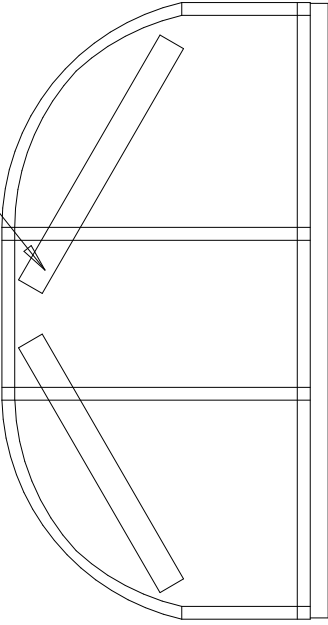
1 OF 1

DWN. BY: JED
DATE: 04/18/08
SCALE: AUTO

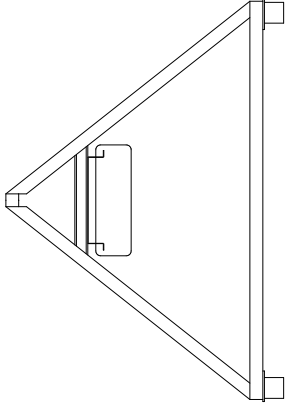
PART NO.: BD6-CE-06

REV.
NR

FLORESCENT LIGHTS

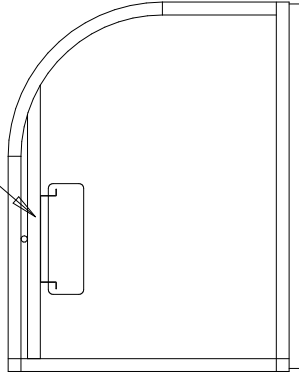


(1) DOME

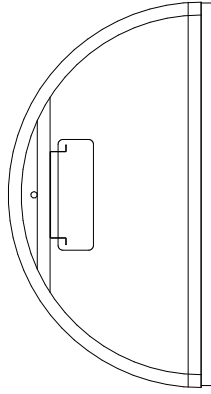


(2) TENT

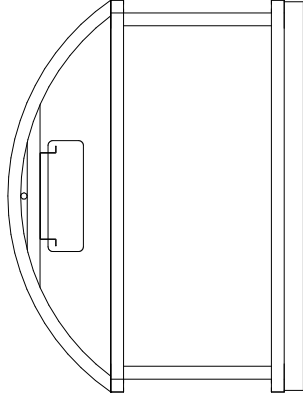
FLORESCENT LIGHT



(3) 1/4 ROUND



(4) BARREL
OR 1/2 ROUND



(5) DOME WITH
INSERTS

REVISIONS

C. NELSON MFG. °

DWN: IMP DATE: 11/19/96

SCALE: 1/16

TITLE: CANDY EXAMPLES

PART No. : 22-994

REV