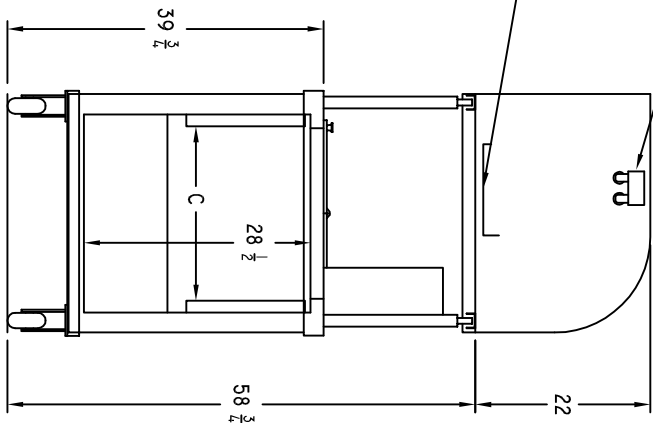
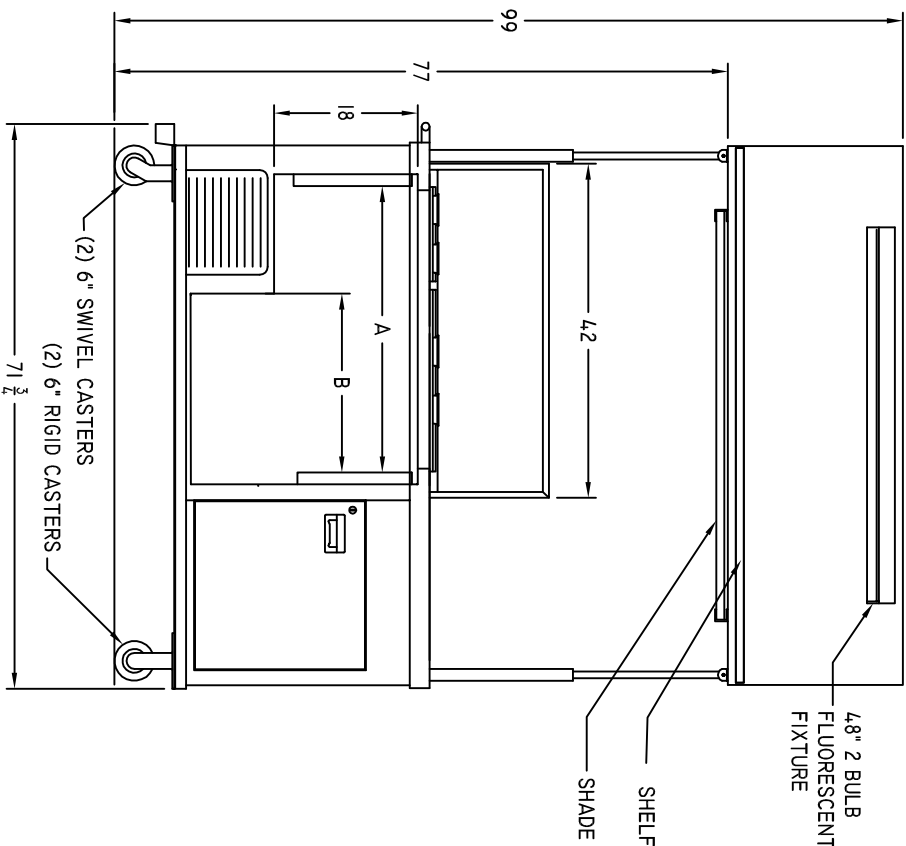


LABEL	DIM. WITH COLD PLATE	DIM. W/O COLD PLATE
A	36	39
B	22 1/2	24
C	22	25

MEETING HEALTH DEPARTMENT
REQUIREMENTS ARE THE
RESPONSIBILITY OF THE CUSTOMER



REV. _____

C. NELSON MFG.

TITLE: BD6-CE WITH EXT.

USED ON: FINISHED GOODS

DWN. BY: JED

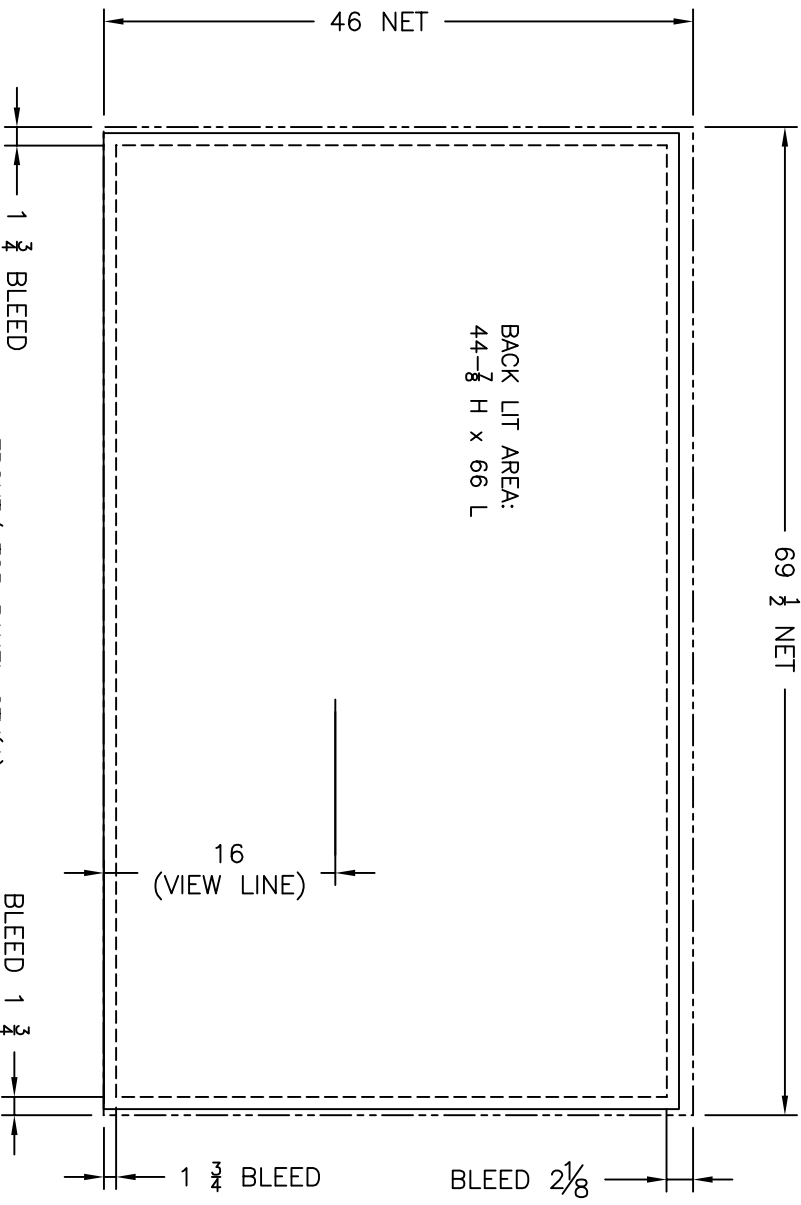
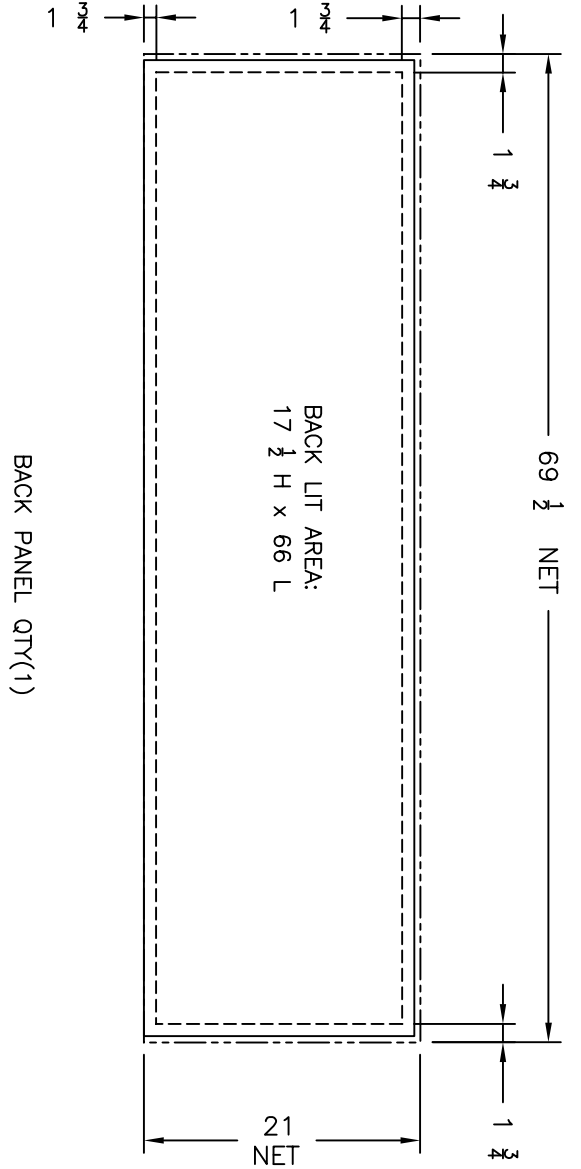
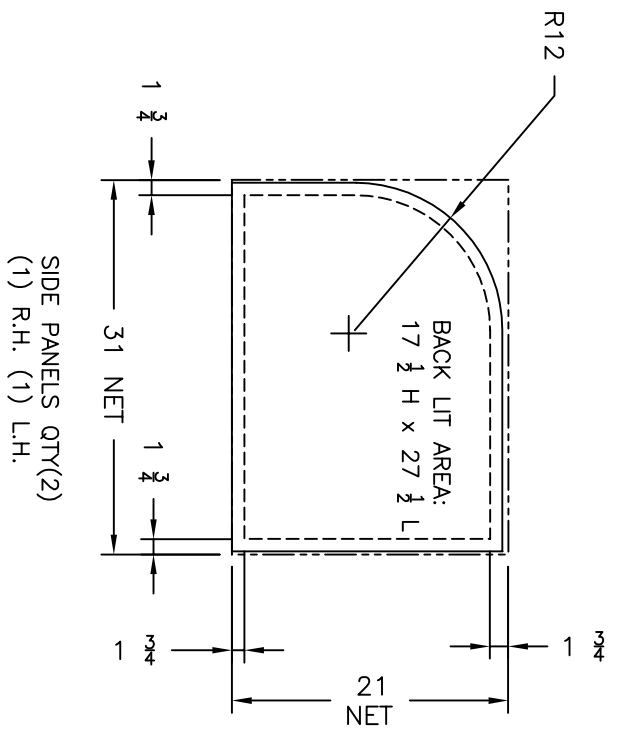
DATE: 2/4/2010

SCALE: A/1D

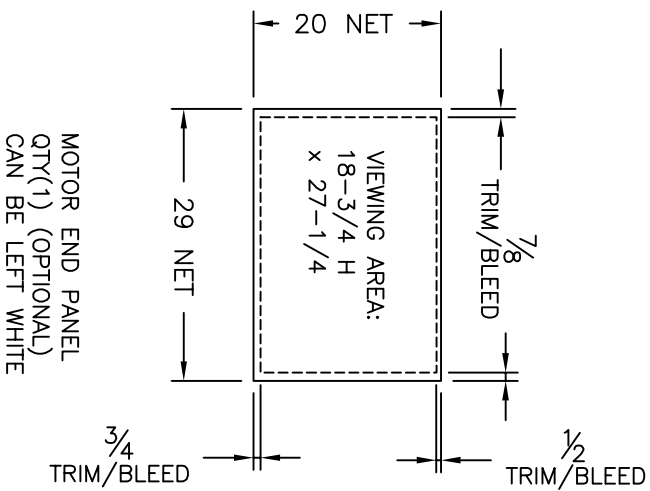
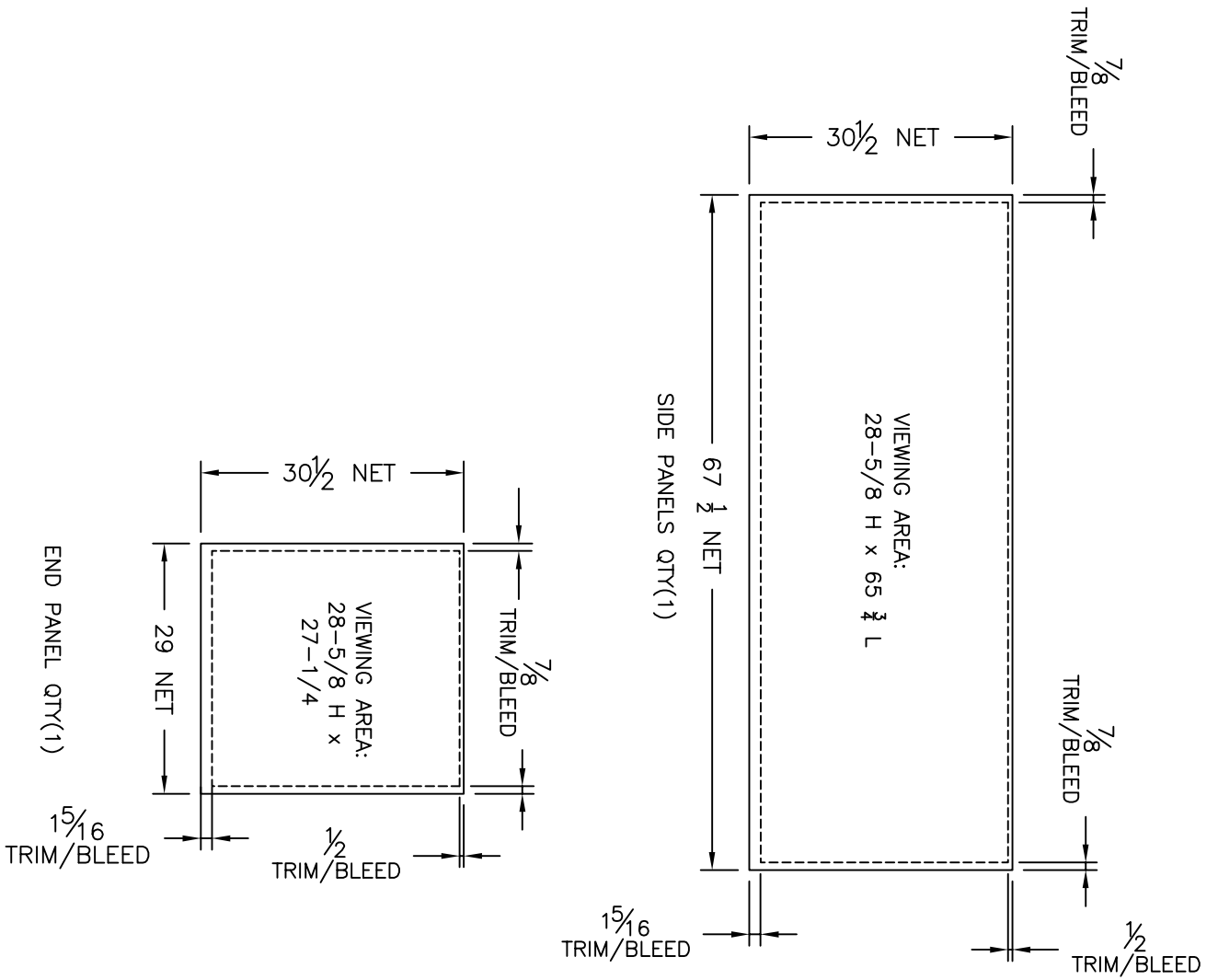
PART NO.: BD6-CE-01

1 OF 1

REV. NR



REV.	C. NELSON MFG.	
TITLE:	BD6CE CANOPY PANEL LAYOUT	
USED ON:	BD-6CE W/24" EXT.	2 OF 2
DWN. BY:	JED	
DATE:	02/05/10	
SCALE:	AUTO	
PART NO.:	BD6CE(DIP)-01-02-03	REV. NR



REV.

C. NELSON MFG.

TITLE: BD-6CE PANEL LAYOUT

USED ON: BD-6CE W/24" EXT

2 OF 2

DWN. BY: JED

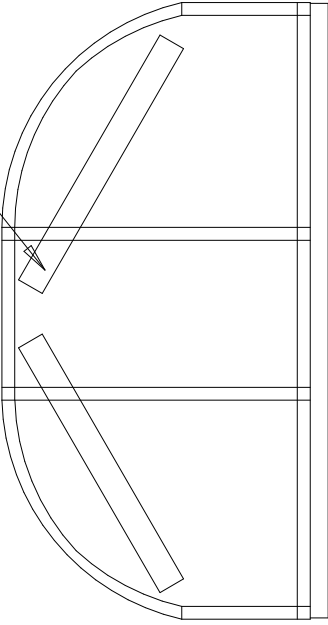
DATE: 2/5/10

SCALE: AUTO

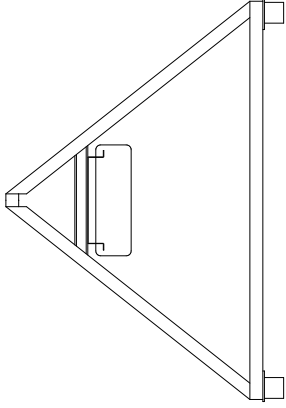
PART NO.: BD6CE(DIP)-01-02-03

REV.
NR

FLORESCENT LIGHTS

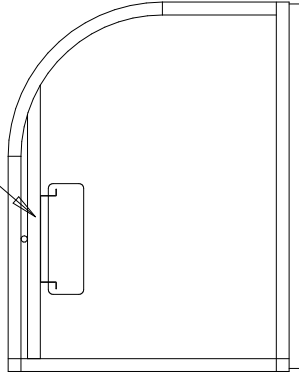


(1) DOME

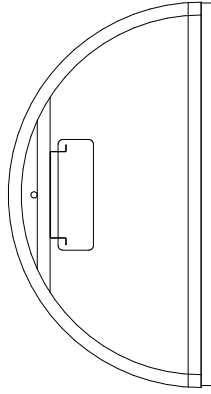


(2) TENT

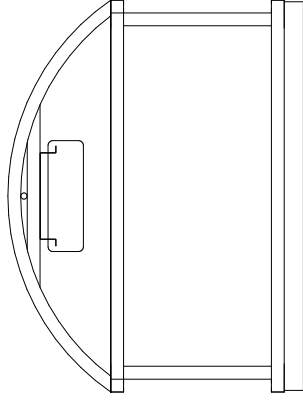
FLORESCENT LIGHT



(3) 1/4 ROUND



(4) BARREL
OR 1/2 ROUND



(5) DOME WITH
INSERTS

REVISIONS

C. NELSON MFG. °

DWN: IMP DATE: 11/19/96

SCALE: 1/16

TITLE: CANDY EXAMPLES

PART No. : 22-994

REV