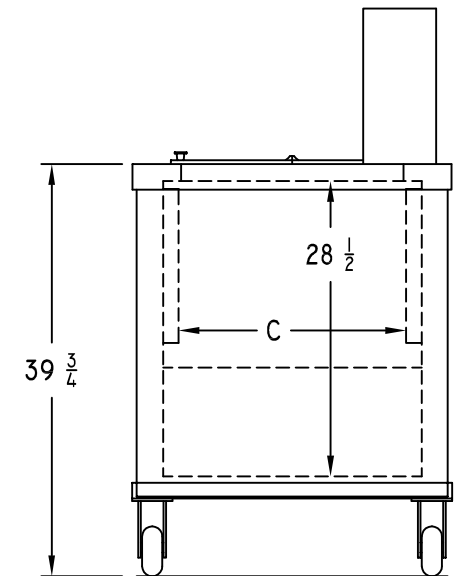
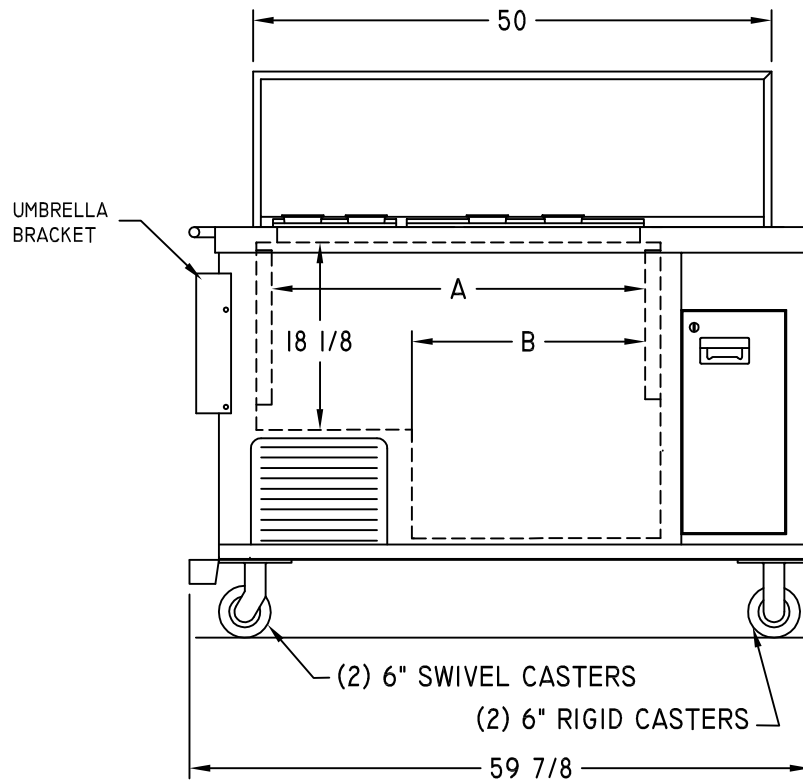


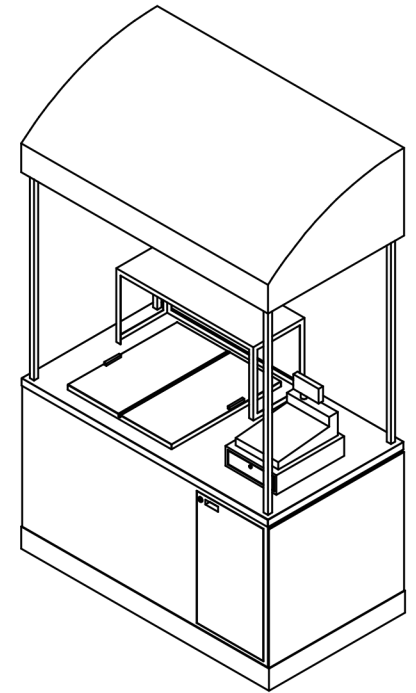
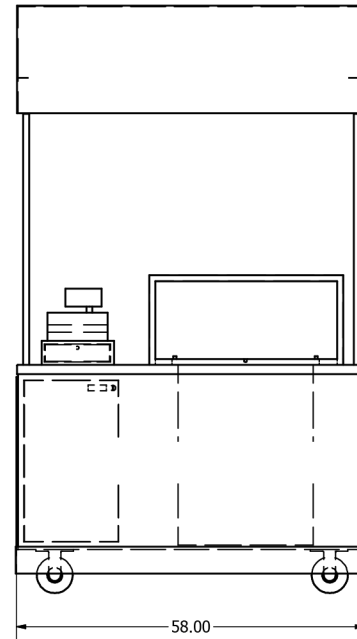
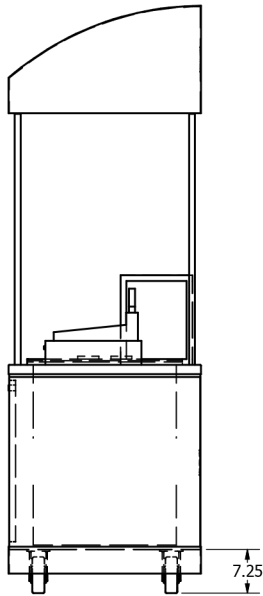
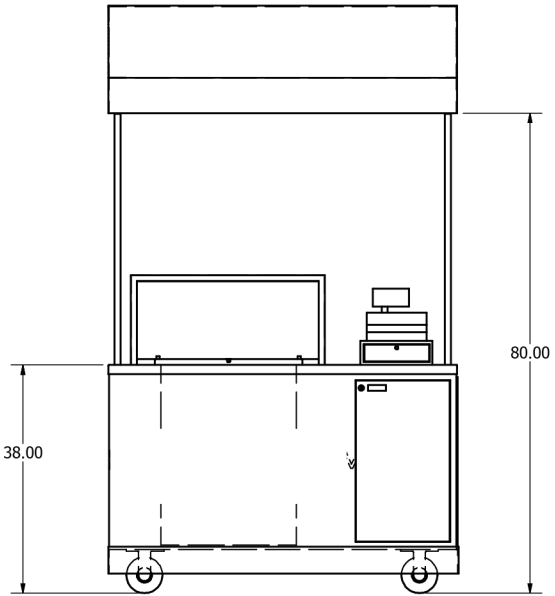
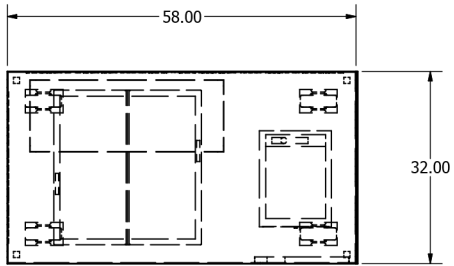
LABEL	DIM. WITH COLD PLATE	DIM. W/O COLD PLATE
A	36	39
B	22 1/2	24
C	22	25

MEETING HEALTH DEPARTMENT
REQUIREMENTS ARE THE
RESPONSIBILITY OF THE CUSTOMER

ORDER INCLUDES:
BLACK LEXAN (3) SIDES
STAINLESS STEEL OPERATOR
SIDE
(4) 0° COLD PLATES

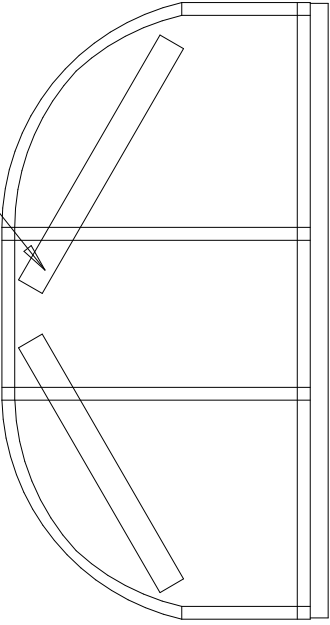


REV.		C. NELSON MFG.	
TITLE: BD6-CE 12" EXTENSION			
USED ON: FINISHED GOODS			1 OF 1
DWN. BY: JEO	PART NO.:		REV.
DATE: 04/18/08	134		NR
SCALE: AUTO			

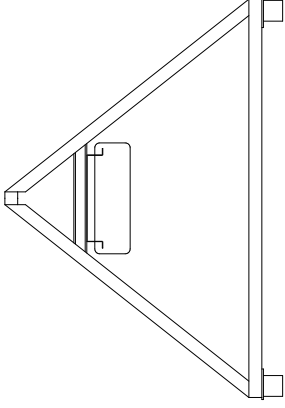


DRAWN engin	4/7/2009	C. NELSON MFG.		
CHECKED		TITLE		
QA		BD4CE WITH 12" EXTENSION		
MFG				
APPROVED		SIZE C	DWG NO 176	REV
		SCALE	SHEET 1 OF 1	

FLORESCENT LIGHTS

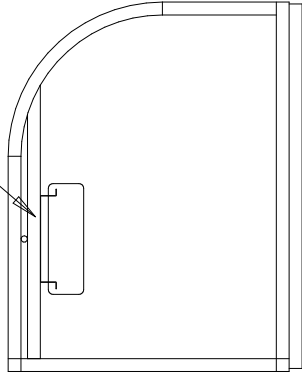


(1) DOME

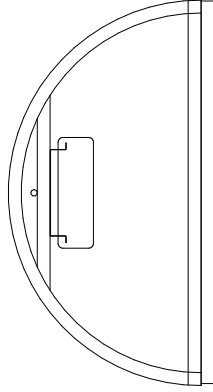


(2) TENT

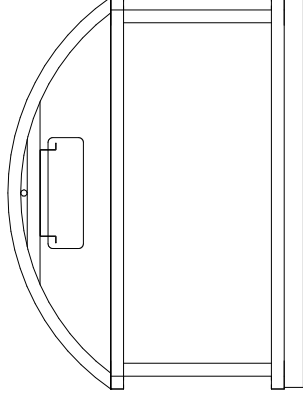
FLORESCENT LIGHT



(3) 1/4 ROUND



(4) BARREL
OR 1/2 ROUND



(5) DOME WITH
INSERTS

REVISIONS

C. NELSON MFG. °

DWN: IMP DATE: 11/19/96

SCALE: 1/16

TITLE: CANDY EXAMPLES

PART No. : 22-994

REV