

# SMYRNA

Series

Gelato



## SMYRNA Showcase:

- Available for Gelato/Ice Cream, Pastries, Desserts, Chocolates & Deli
- Straight Double Pane Glass Offering Maximum Visibility
- LED Interior Lighting System
- Hydraulic Piston Lift-Up Top Glass
- High Density Polyurethane Panels
- Stainless Steel Chassis
- Digital Temperature Control with Auto Defrost



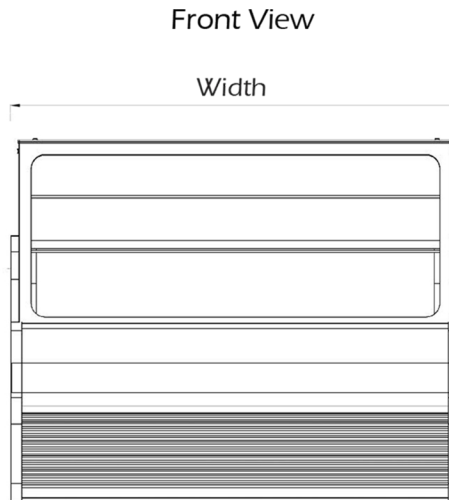
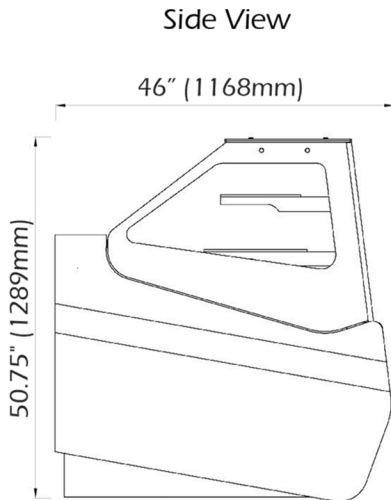
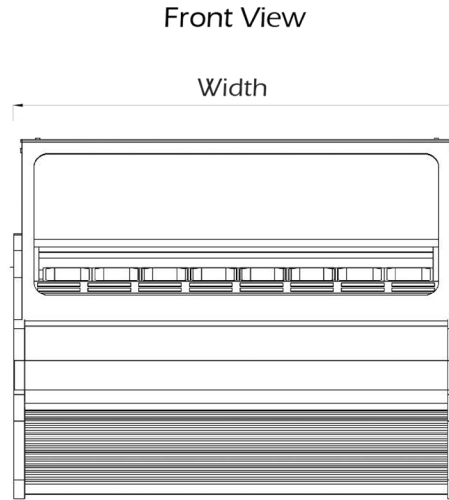
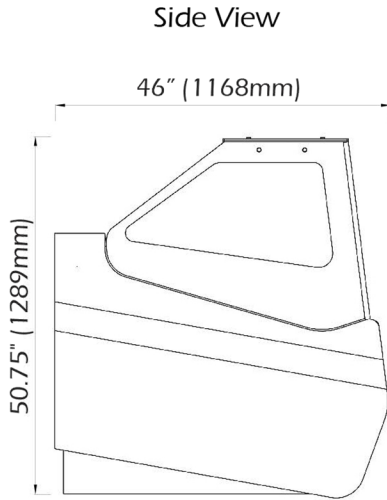
Pastry/Deli

25825 Aldine Westfield  
Spring, Texas 77373  
Tel: 271-272-1400  
sevelusa.com



# SMYRNA / Technical Specifications

Gelato



Pastry / Deli

## DISPLAY CASES

Type	Model	Width	Depth	Height	Electrical Requirements
<b>Gelato</b>	SM - 12G	48.25"	46"	50.75"	220V/1Phase/60Hz
	SM - 16G	61.5"	46"	50.75"	220V/1Phase/60Hz
	SM - 18G	68.25"	46"	50.75"	220V/1Phase/60Hz
	SM - 24G	88.75"	46"	50.75"	220V/1Phase/60Hz
<b>Pastry Deli</b>	SM - 12P	48.25"	46"	50.75"	220V/1Phase/60Hz
	SM - 16P	61.5"	46"	50.75"	220V/1Phase/60Hz
	SM - 18P	68.25"	46"	50.75"	220V/1Phase/60Hz
	SM - 24P	88.75"	46"	50.75"	220V/1Phase/60Hz

▪ **Ventilated Refrigeration**

▪ **Automatic Defrost Cycle**

All technical data, pictures and drawings contained in this document are not binding on the manufacturer, nor can manufacturer be held liable for any modification of the machine, in part or in whole.



Tel: 281-272-1400

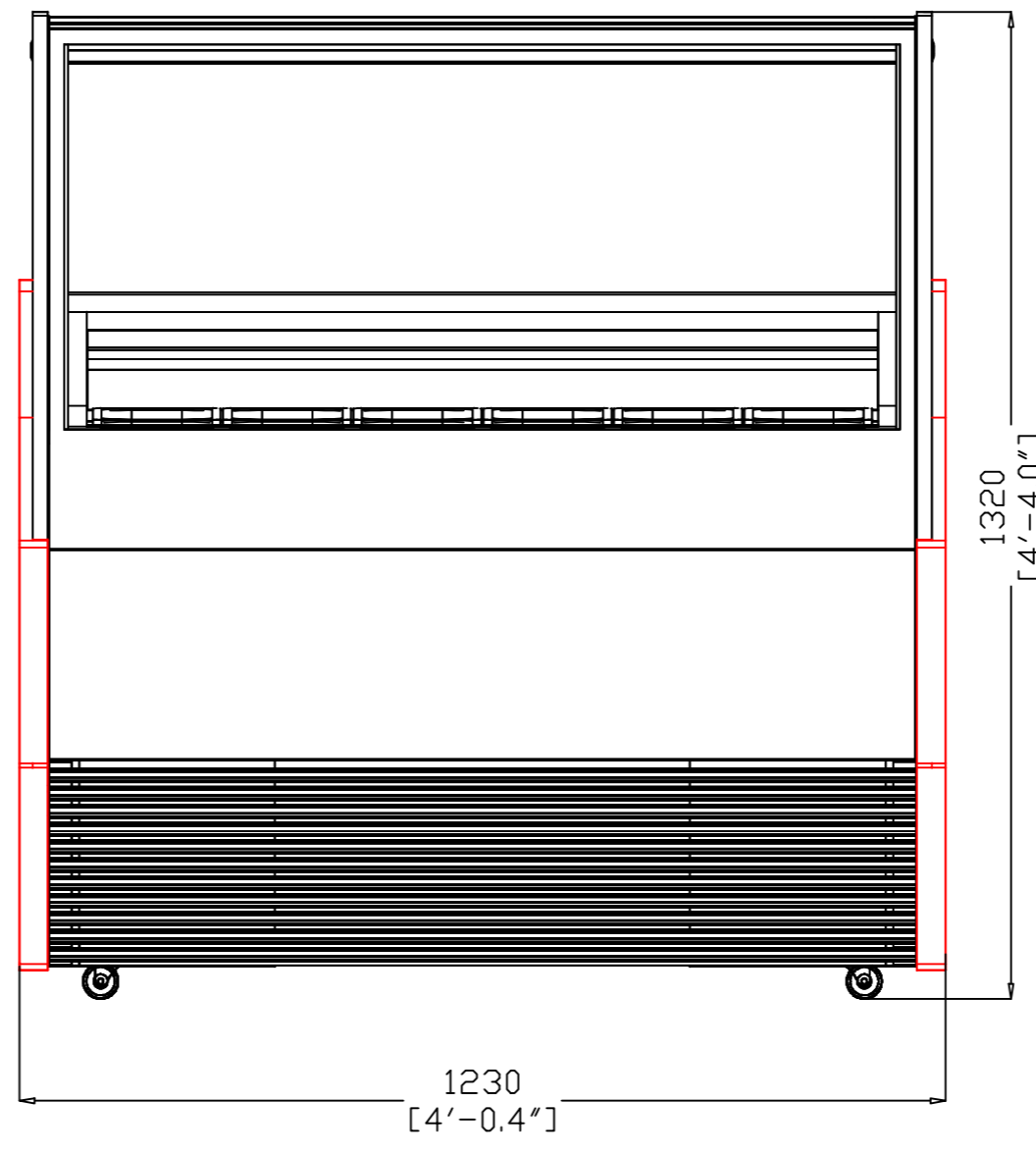
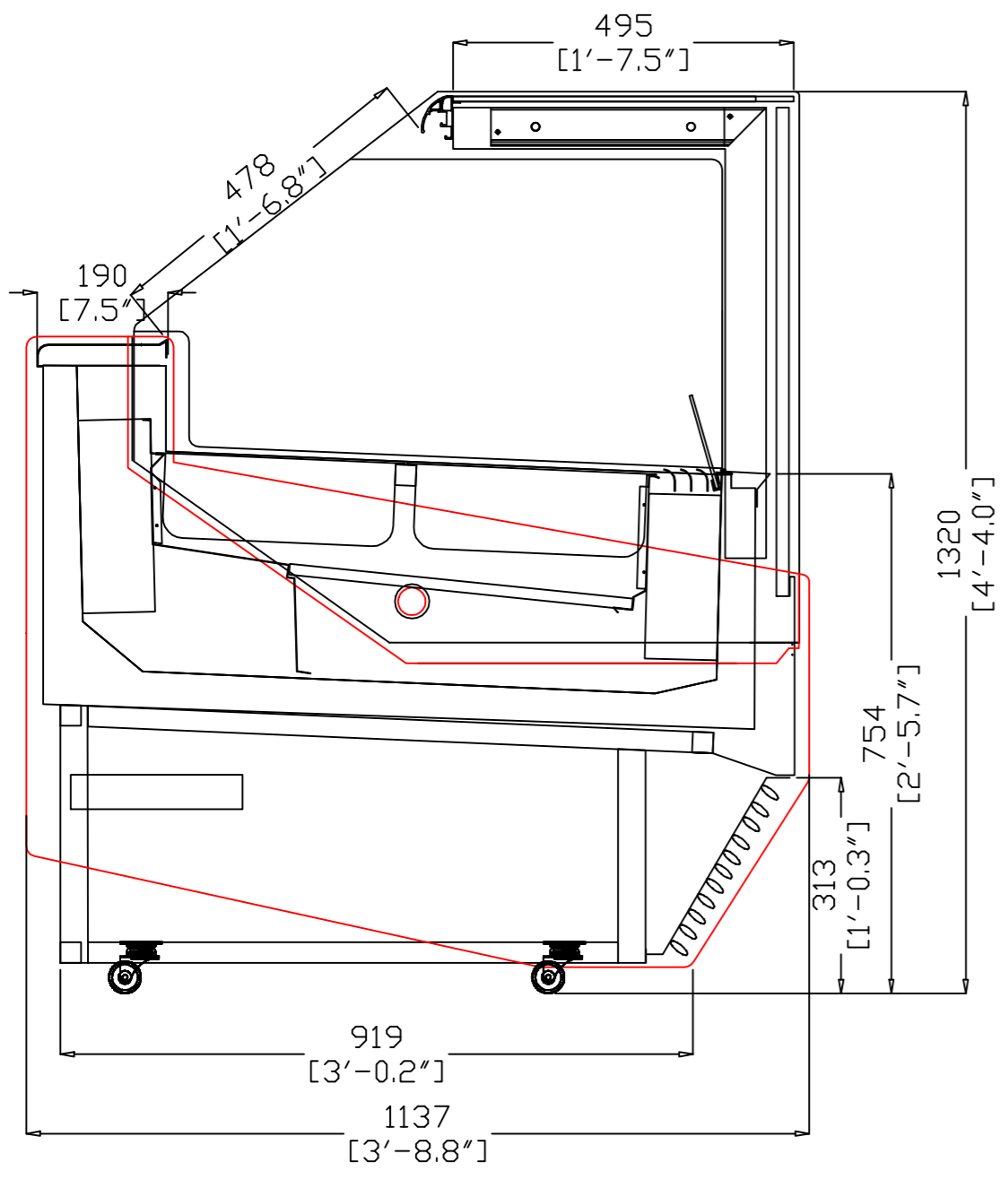
www.sevelusa.com



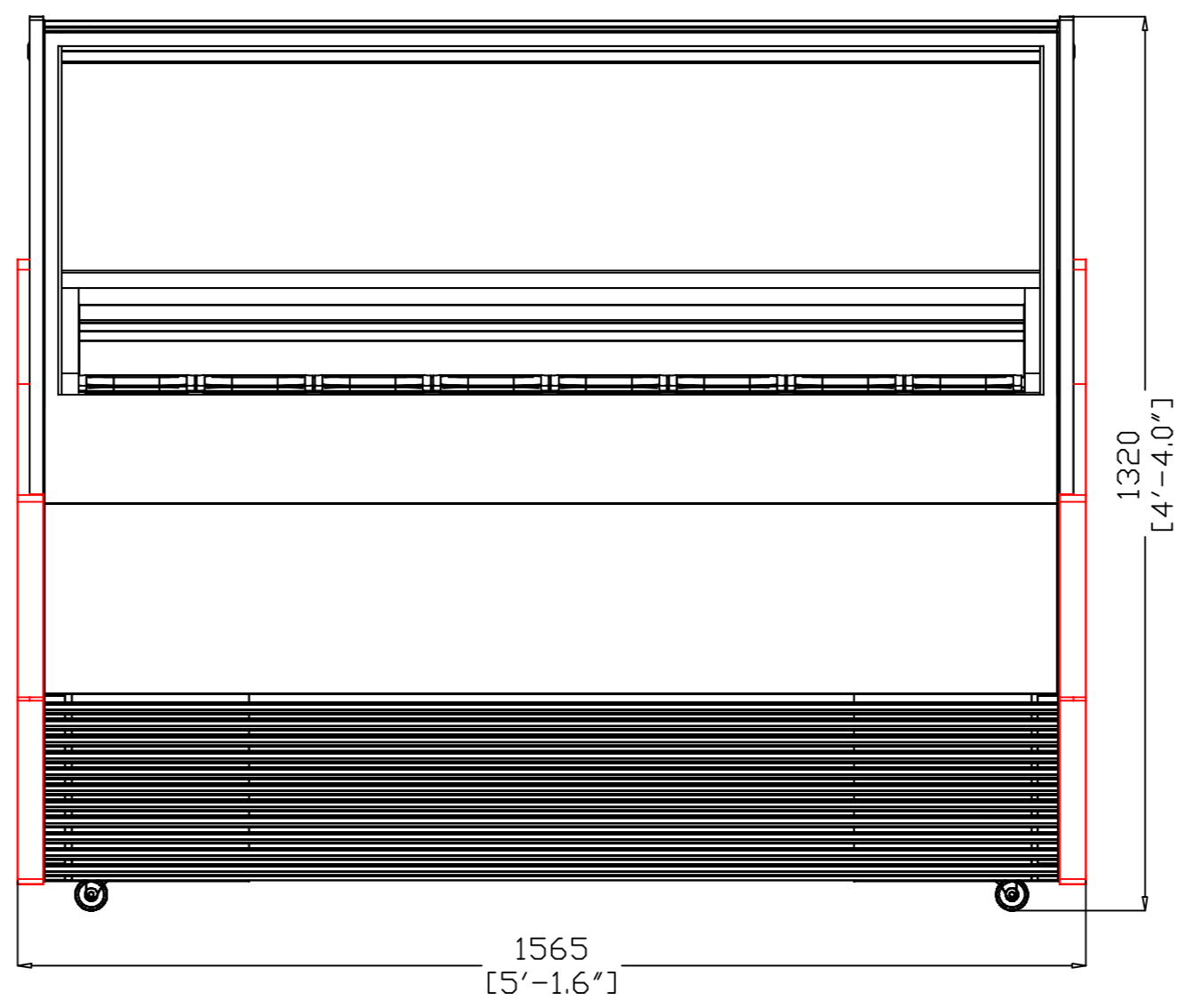
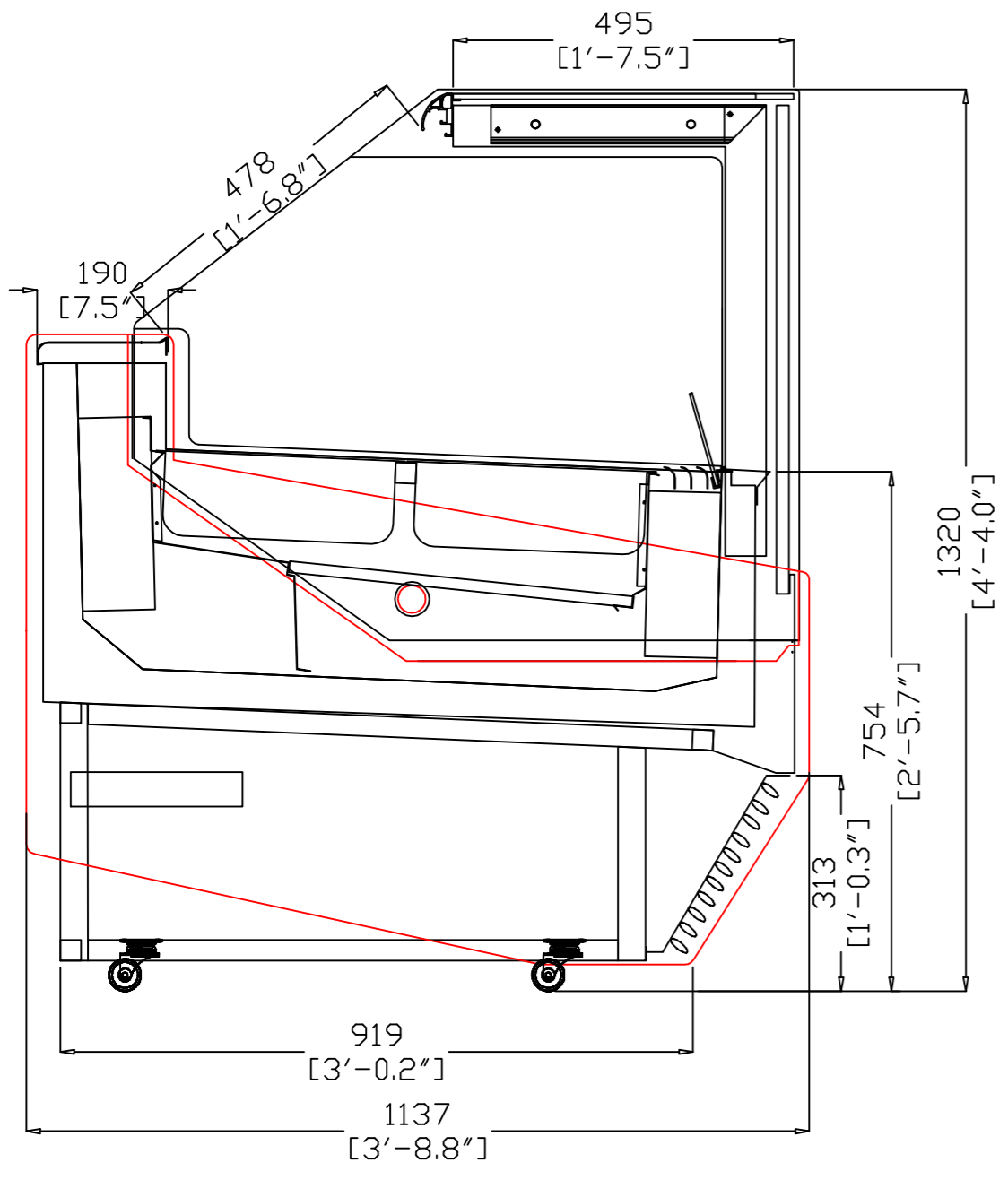
LISTINGS  
SANITATION  
COMMERCIAL  
REFRIGERATORS  
AND FREEZERS  
CONFORMS TO NSF 7



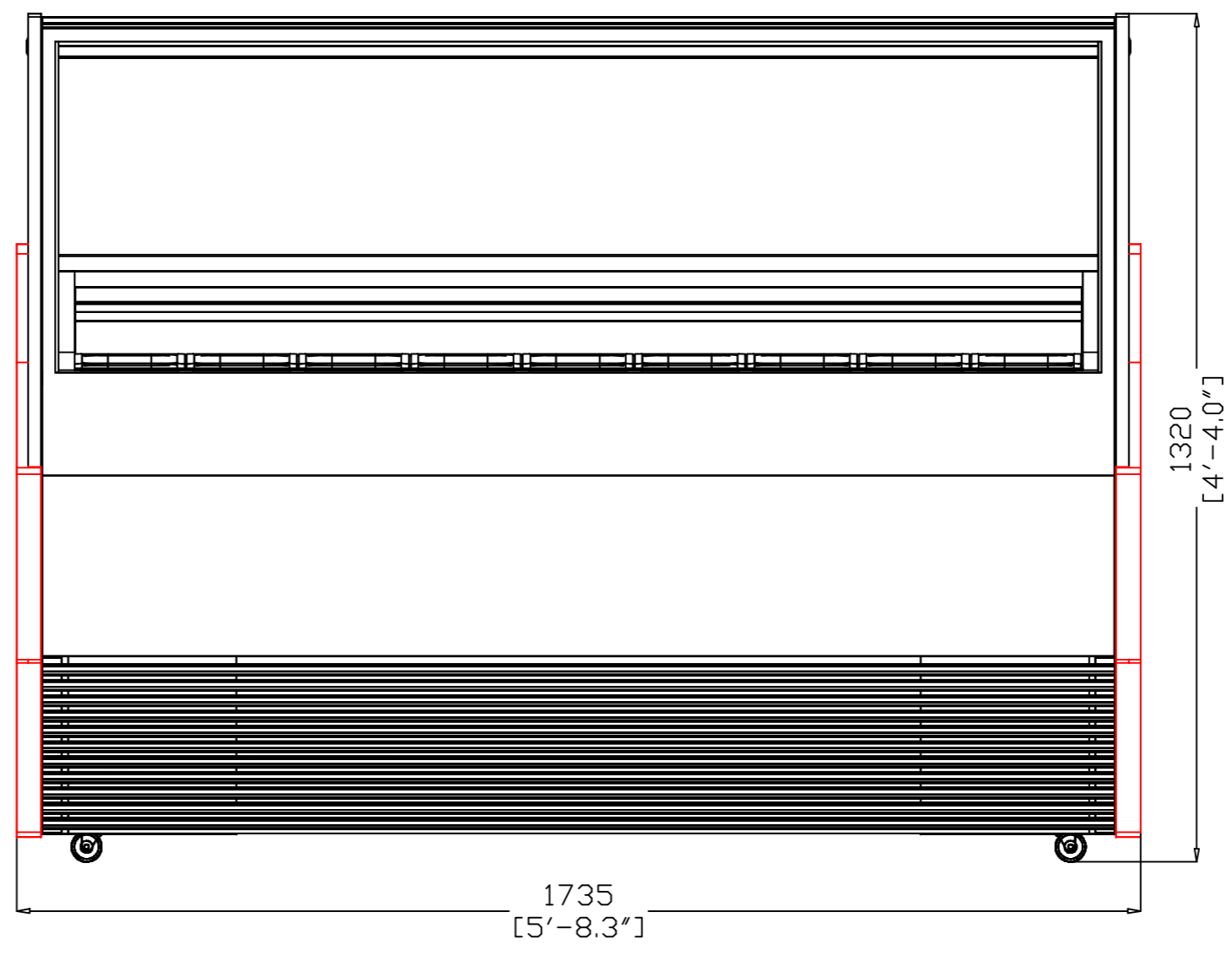
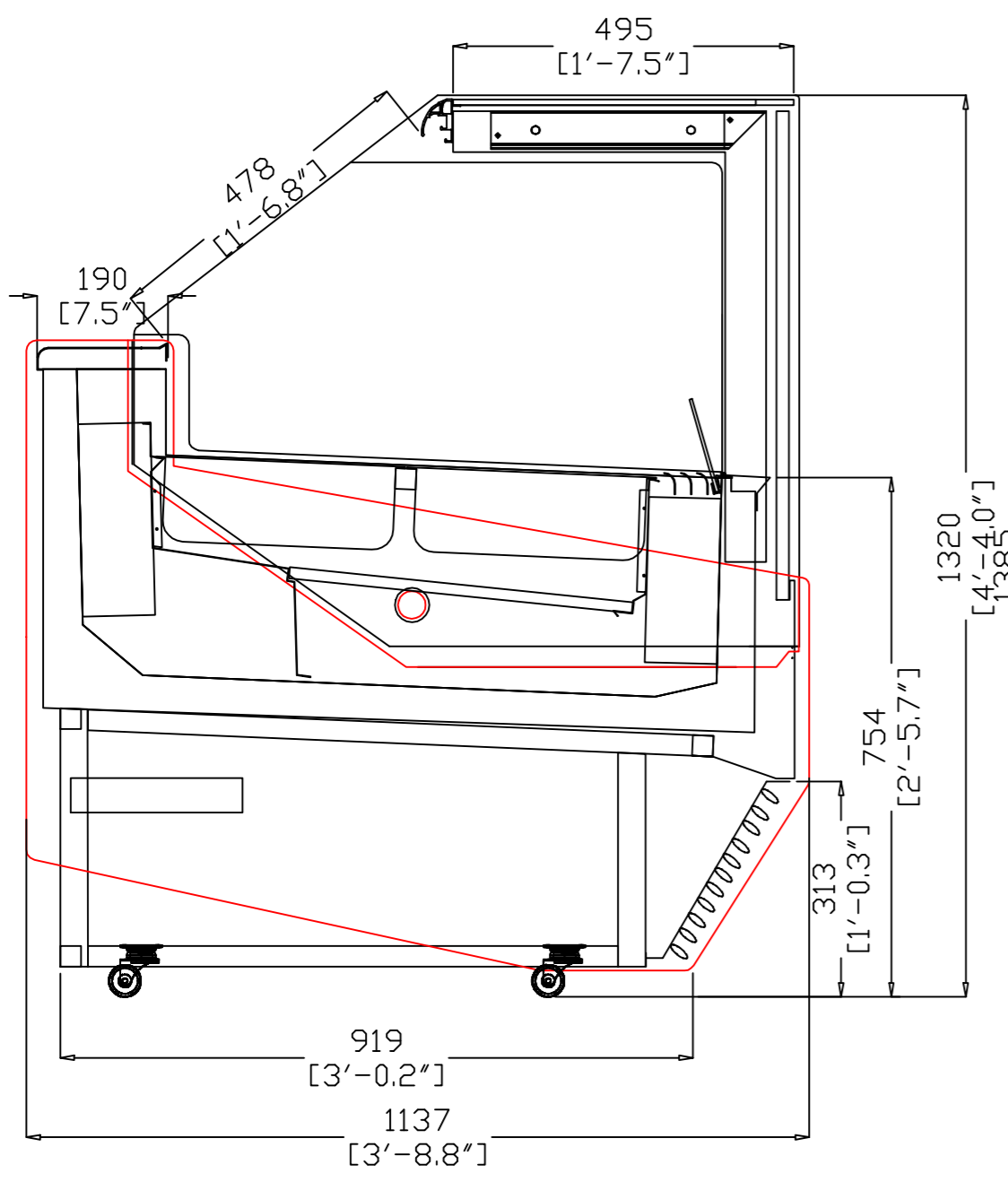
### SMYRNA NEW-12 FRONT VIEW



### SMYRNA NEW-16 FRONT VIEW



### SMYRNA NEW-18 FRONT VIEW



### SMYRNA NEW-24 FRONT VIEW

