

SLM

SEVEL

SHOWCASE



SLM 8

SLM

SLM comes in 3 different sizes.
With its 6, 7 and 8 pan alternative sizes, it can fit your
smallest spaces
and can even be placed in your kitchen...

SLM



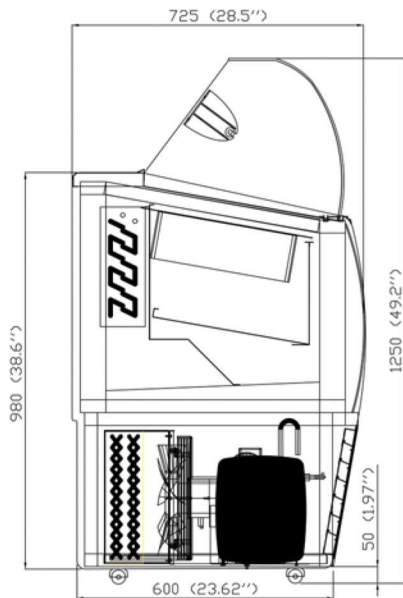
SLM 7

SLM

SLM Slimline Ice Cream / Gelato Showcase - TECHNICAL SPECIFICATIONS

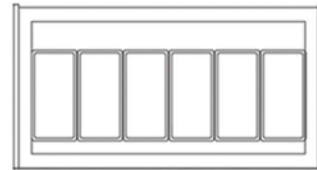
	Ex. Dim. (inch)			Crated Weight (lb)	Voltage	Gas	Gas Charge (gr)	Compressor HP	Amp Draw	Breaker Size	Temperature Range F	5 Lt Pan System
	Length	Depth	Height									
SLM 6	48.8 inch	28.5 inch	49.2 inch	554	220/1/60	R 404 a	680	1 HP	5A	10A	-10 to + 10	6
SLM 7	55.5 inch	28.5 inch	49.2 inch	611	220/1/60	R 404 a	720	1 ½ HP	6A	12A	-10 to + 10	7
SLM 8	63 inch	28.5 inch	49.2 inch	640	220/1/60	R 404 a	1350	1 ½ HP	6A	12A	-10 to + 10	8

SLM SIDE VIEW

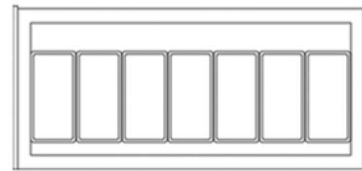


SLM 5 LT. PAN LAYOUT

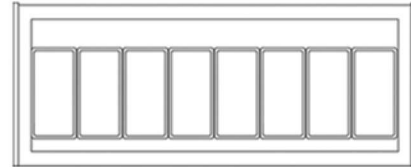
SLM 6
(Standart Pan System)



SLM 7
(Standart Pan System)



SLM 8
(Standart Pan System)



LISTINGS



ELECTRICAL CONNECTION

Display cases are shipped with applicable junction box for hardwired installation
 Option exist for several NEMA configurations
 Plug and/or receptacle configurations are at the discretion of the electrical installer

NOTE

The Standard Warranty includes:
 1 year compressor, 90 days parts
 and 90 days labor.

Required ambient conditions: 75 Degrees Fahrenheit, 55% Relative Humidity
 Drawing and Specifications are subject to change without notice



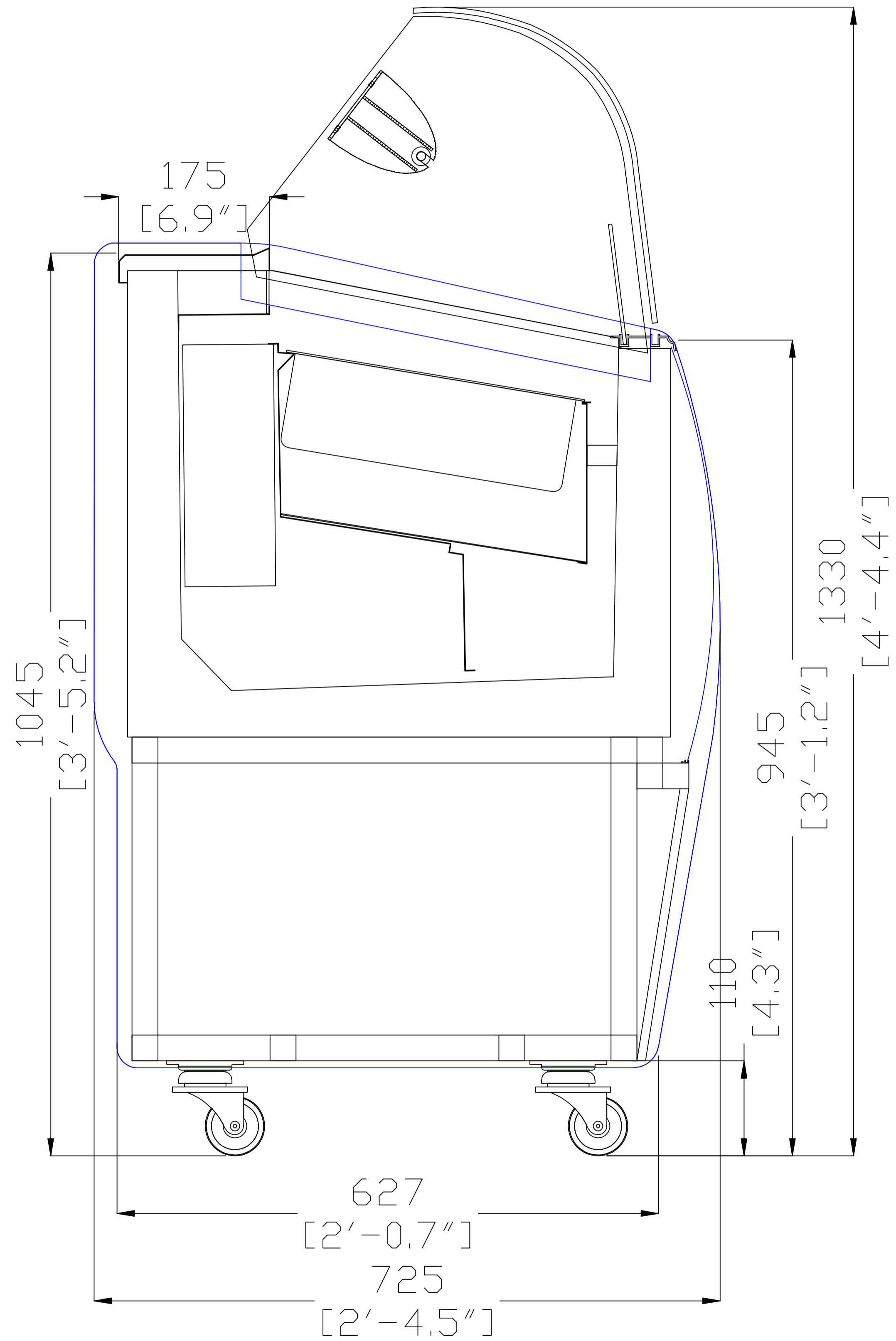
SEVELUSA, LLC

25825 Aldine Westfield Spring, TX 77373

Tel: 1-281-272-1400

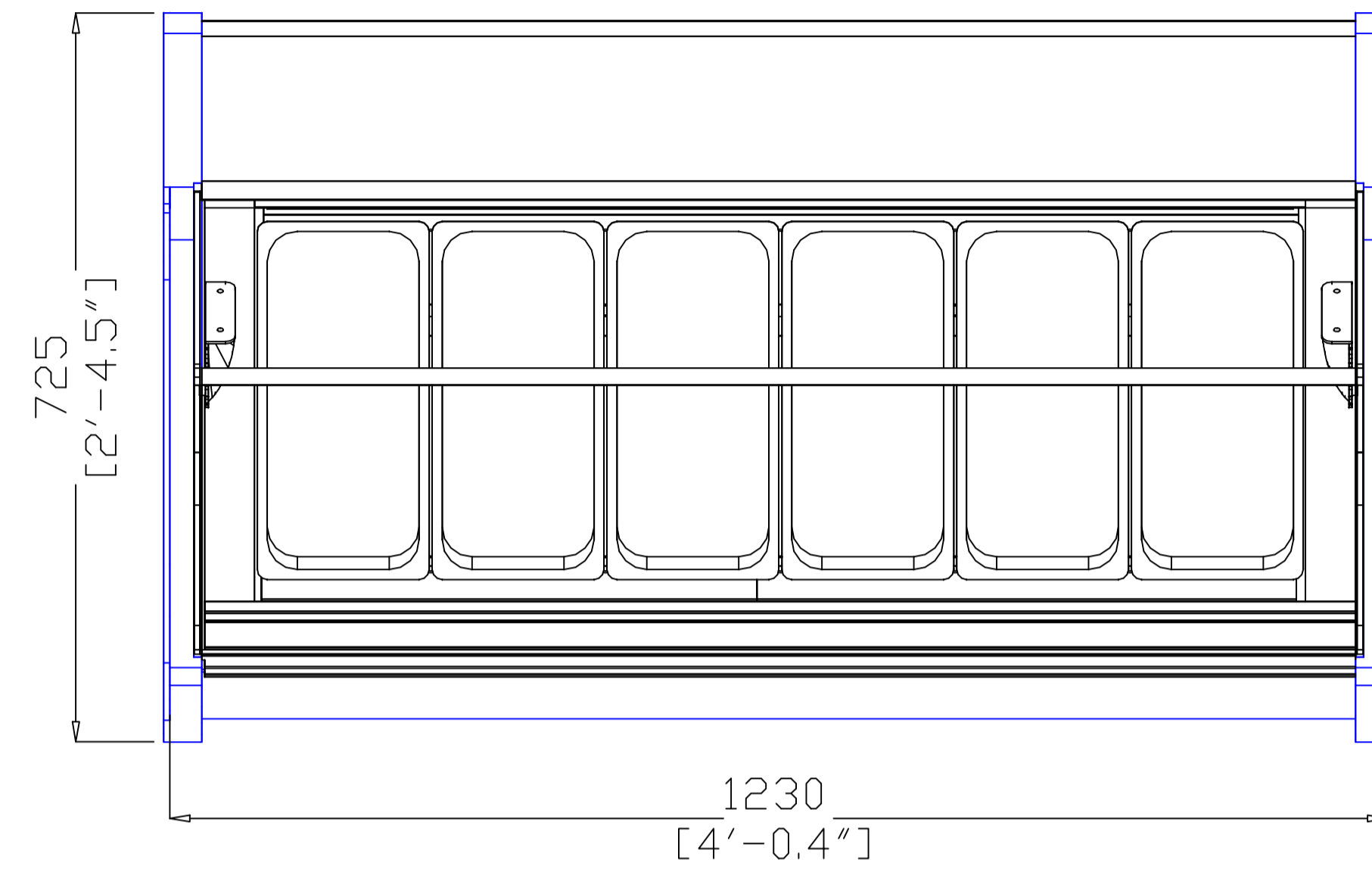
sam@sevelusa.com - www.sevelusa.com

SLM-6 SERIES

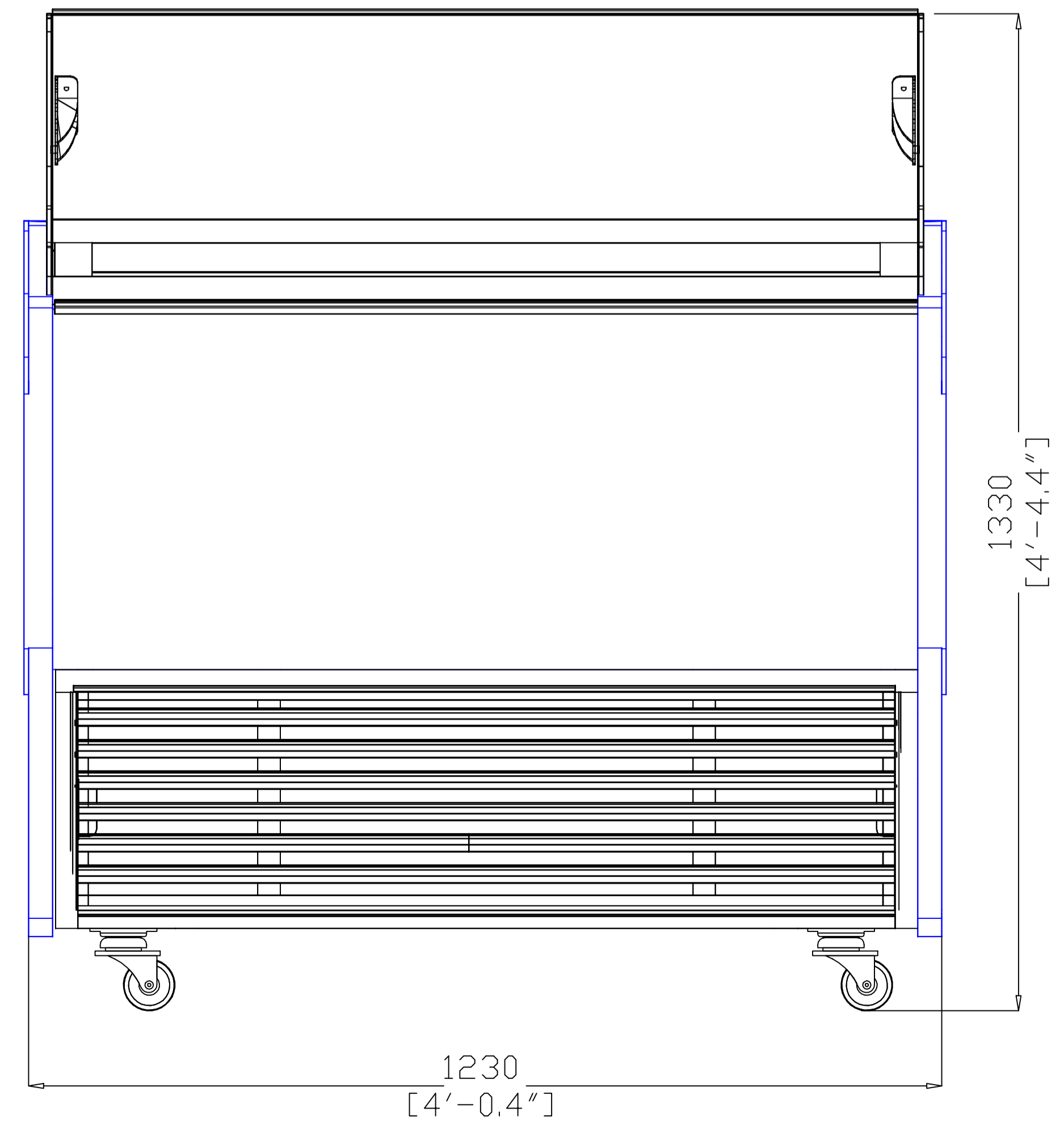


side view

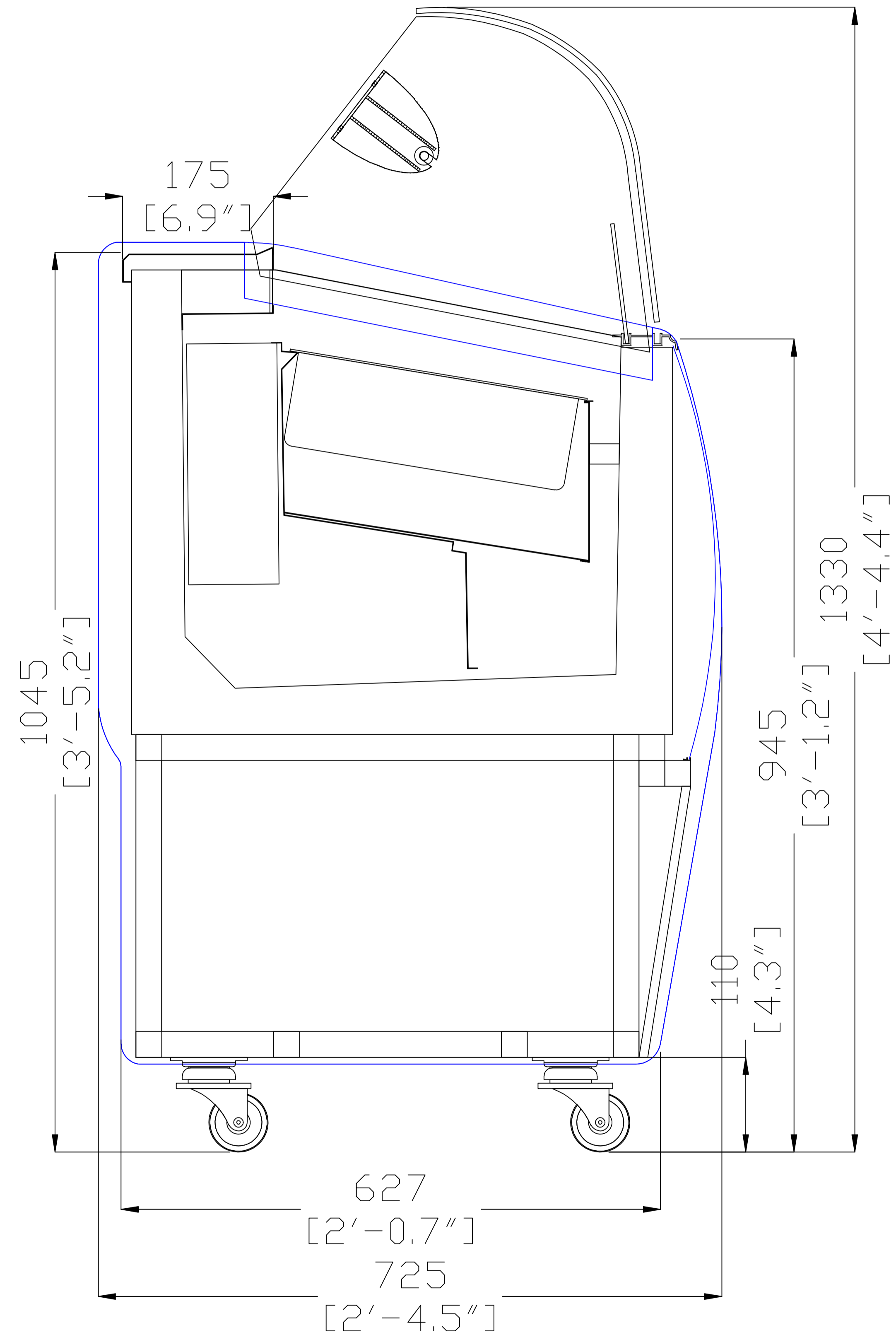
top view



front view

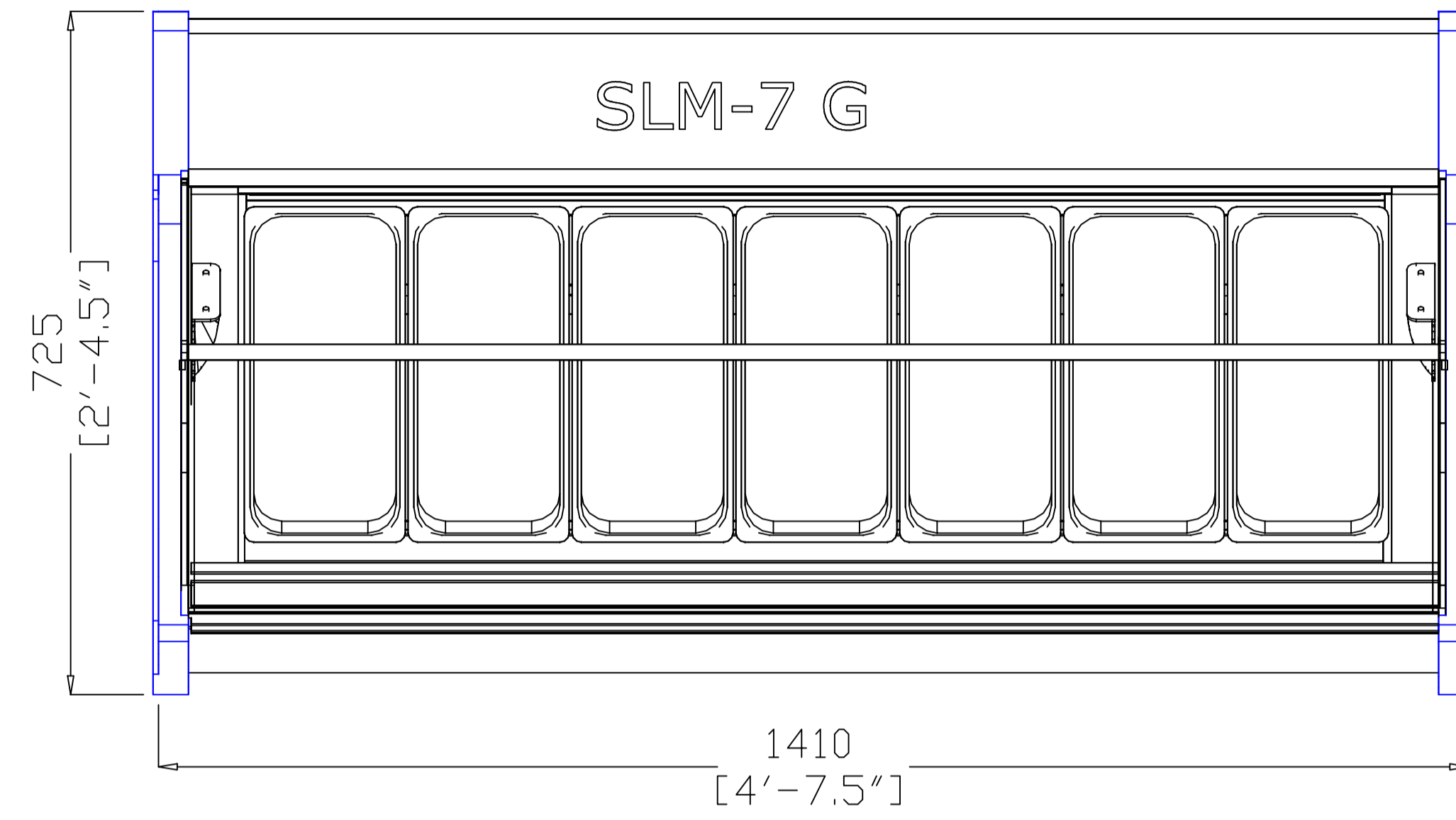


SLM-7 SERIES

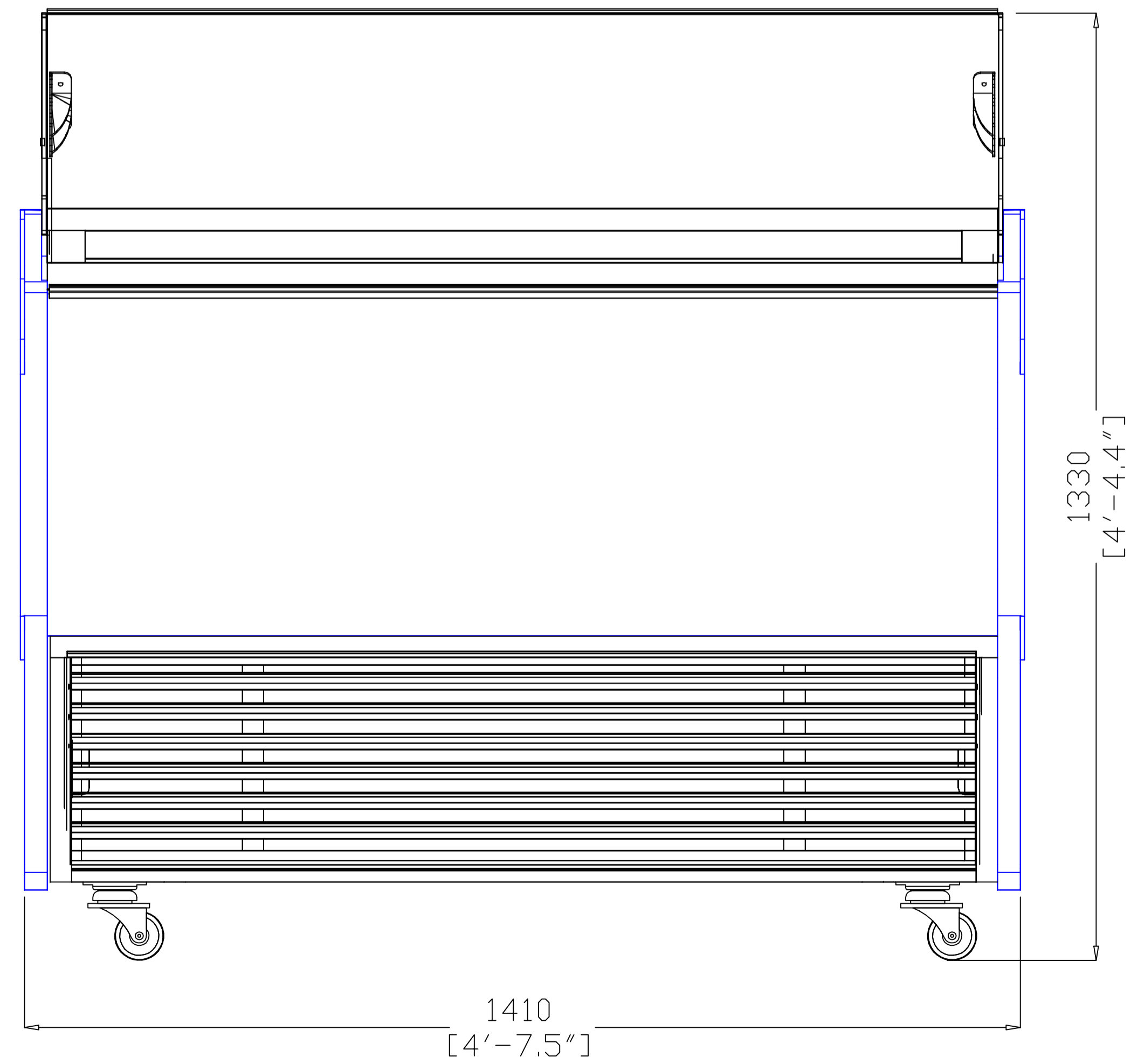


side view

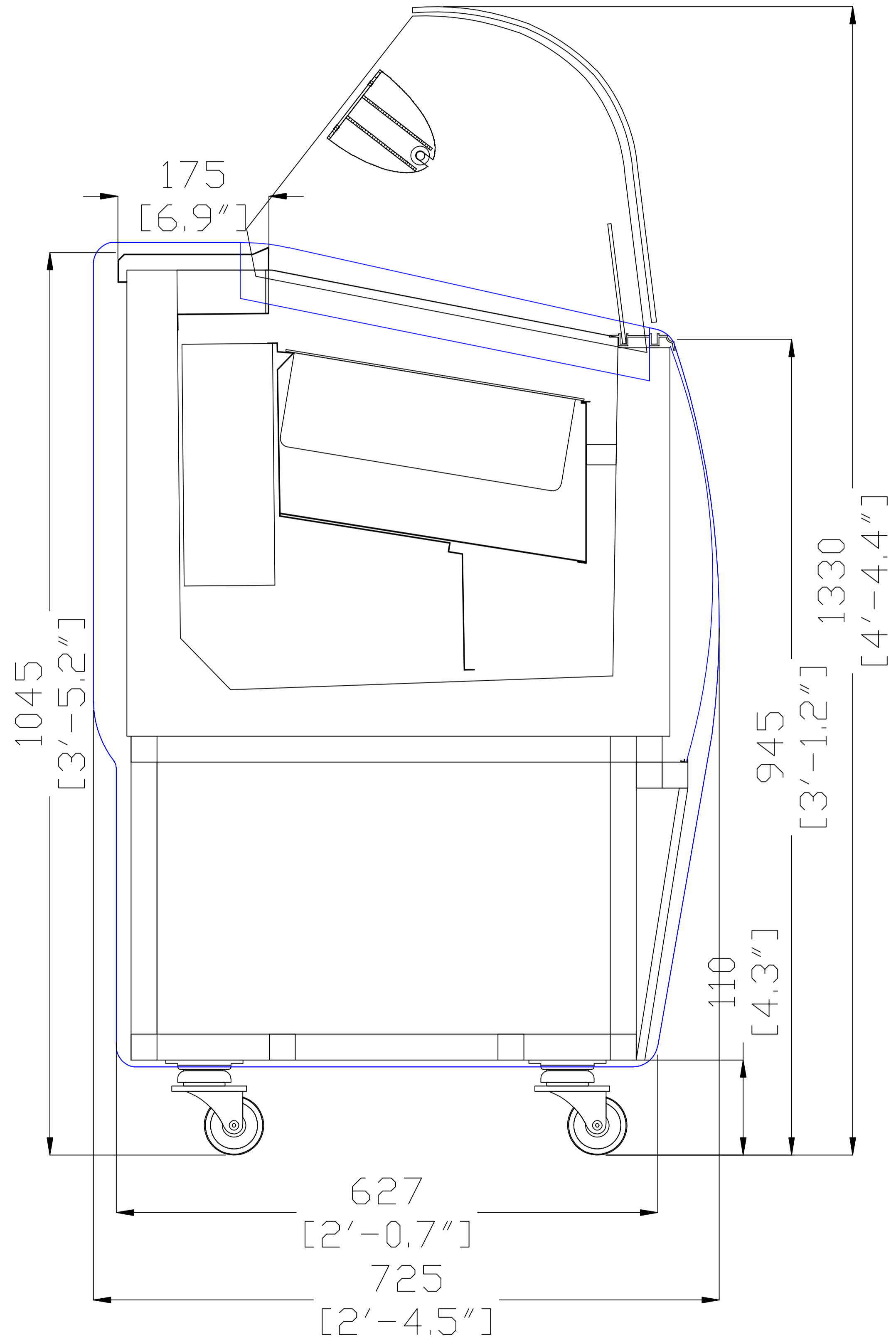
top view



front view

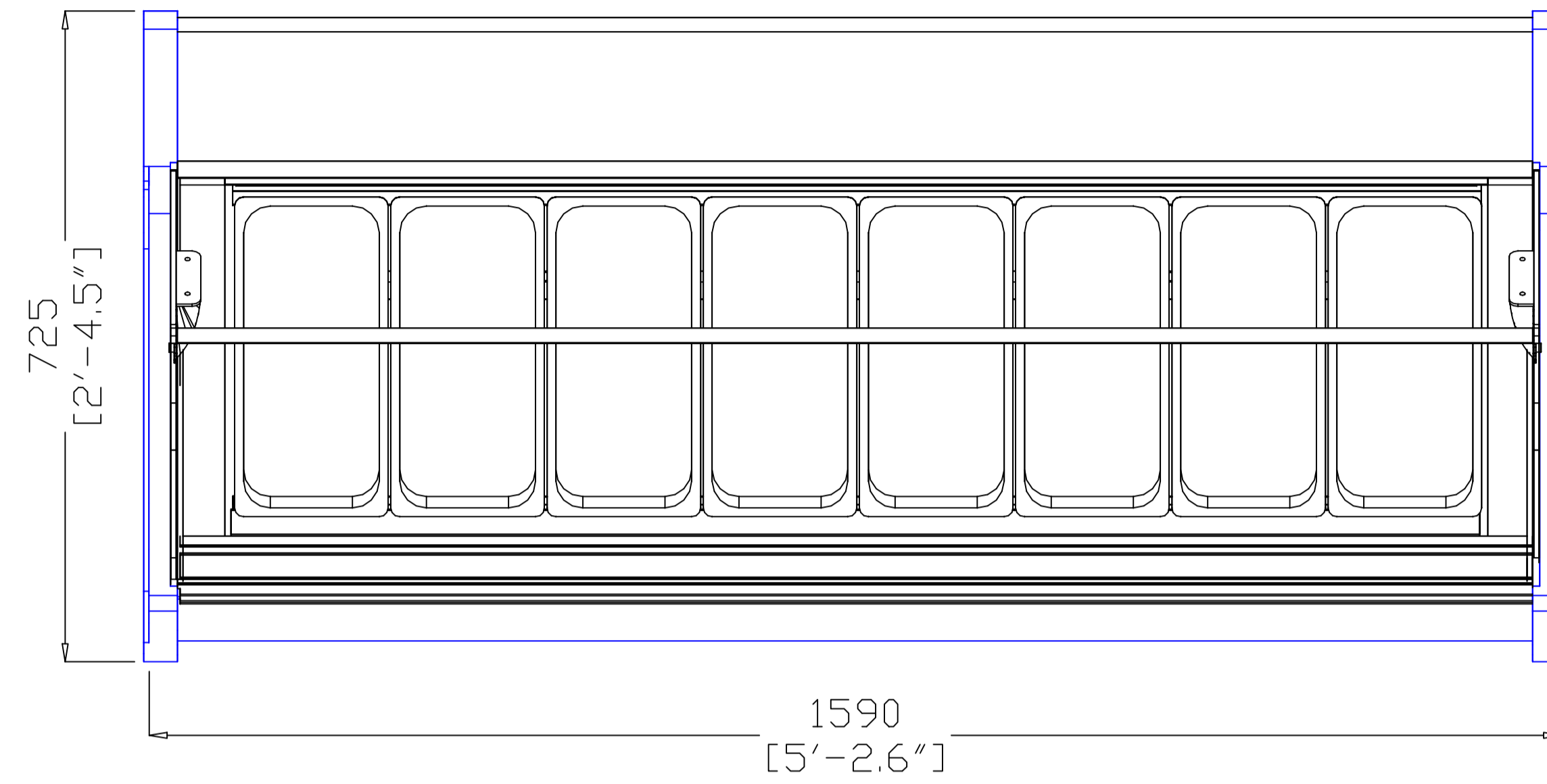


SLM-8 SERIES



side view

top view



front view

