



- TASTE THE DIFFERENCE -

MODEL RFC3 (Water Cooled)

This large-capacity batch freezer produces the highest quality ice cream, gelato, sorbet, Italian ice or sherbets. Mechanically simple and exceptionally dependable, this machine is perfect for gelato, custard and water ice shops.

The Electro Freeze Advantage

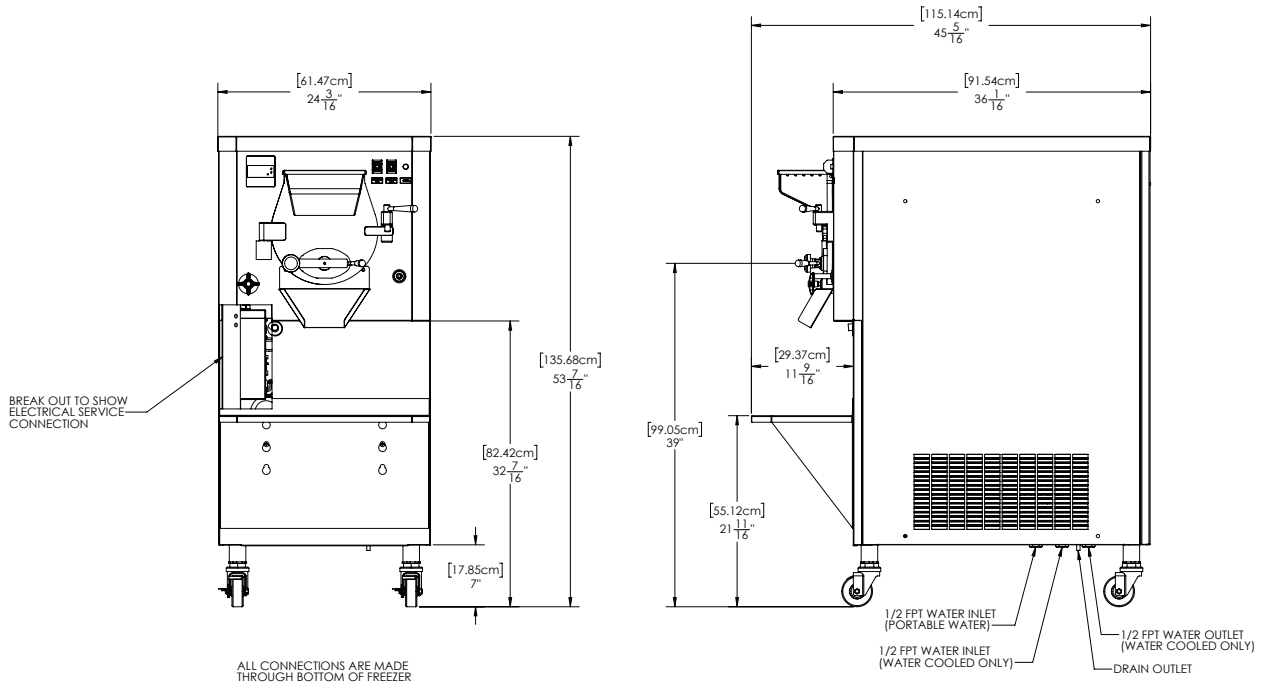
- Cam Door latch provides quick interior access.
- Exclusive Auger Design gently blends, reducing agitation and maintain product quality and consistency.
- Auger and Dispensing Head Design leads to excellent product extraction and less flavor overlap.
- Superior Product Quality is an Electro Freeze trademark unmatched frozen product quality through simple and effective design.
- Built-in Faucet with flex hose for fast and easy cleaning
- Digital timer with audible alarm
- Adjustable torque control for automatic operation/ shutdown.
- Experience Tells Electro Freeze has been manufacturing quality frozen treat machines since 1929. Superior engineering, product innovations, sturdy construction, quality craftsmanship and dependable performance are Electro Freeze hallmarks.

12 QUART BATCH FREEZER



E-Store: FreezerPlanet.com
equipment@turnkeyparlor.com
877-817-5716

RFC3 Batch Freezers



MODEL RFC3 SPECIFICATIONS

Due to continual product improvements all specifications are subject to change without notice.

RFC3 - Water Cooled

Width (in/cm):	24 / 61	Beater Motor	2.5HP / 1.9 kw
Height (in/cm):	53-13/32 / 136	Refrigerant	R-404a
Depth (in/cm):	45-11/64 / 115	Charge (lb/kg)	2.75 / 1.25
Weight (lbs/kg)	655 / 297	Cooling	Water
Voltage:	*208-230 / 60 / 1	Cylinder (qts/ltr)	14 / 13.2
Min Circuit Ampacity:	30	Overrun	0-15%
Compressor:	2HP / 12,000 BTUH		