

ALLOW 36" CLEAR AROUND UNIT  
ESTIMATED WEIGHT: 700 LBS.

**AIRDYNE ENGINEERING SUMMARY**

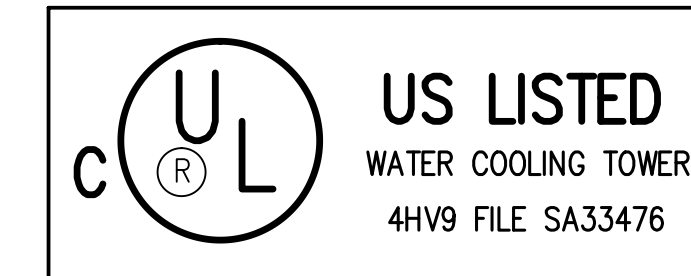
POWER SUPPLY: 230 V, 1PH, 60 HZ  
CONNECTED LOAD AMPS: 10.6

MAXIMUM FUSE AMPS : 15.0  
MINIMUM CAPACITY: 13.25

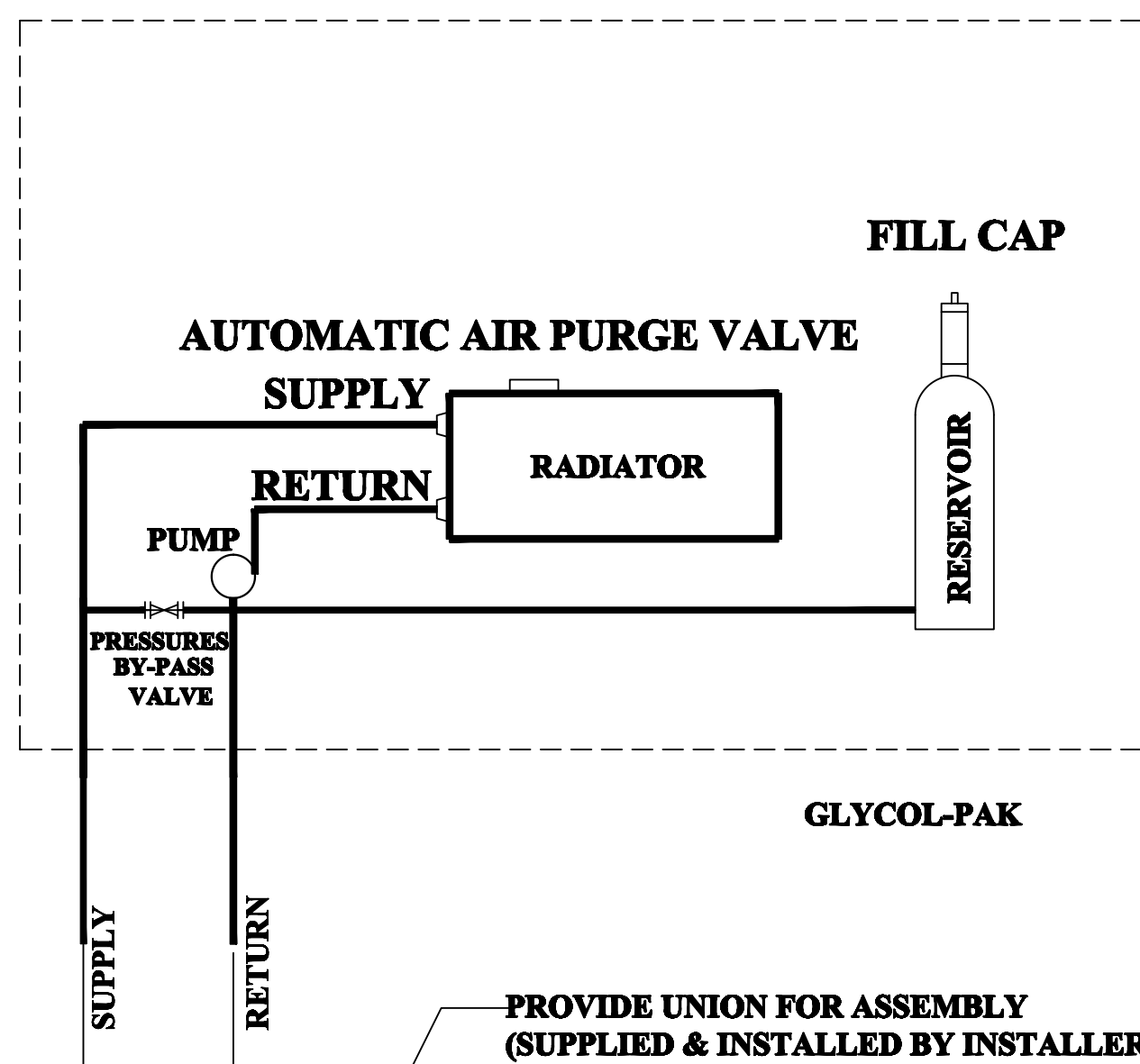
SYSTEM	ITEM	SOFT SERVER				GLYCOL PAK															
		DESCRIPTION	QTY	MODEL NO.	CAPACITY BTUH	TOTAL HEAT OF REJECTION (BTUH)	MODEL NO.	TOTAL HEAT OF REJECTION (BTUH)	FLUID VOLUME (GAL)	FLUID FLOW (GPM)	PUMP 230V/1PH/60 HZ		FAN/MOTOR 230V/1PH/60 HZ		LINE SIZE (IN O.D.O.)		TOTAL AMPS				
										HP	RLA	QTY	HP	RLA	SUPPLY	RETURN					
	1	SOFT SERVE (2 BARREL)	1																		
	2	SOFT SERVE (2 BARREL)	1																		
	3	SOFT SERVE (2 BARREL)	1																		
	4	SOFT SERVE (2 BARREL)	1																		
		<b>COMBINATION TOTAL</b>	<b>4</b>							<b>GP-4</b>	<b>108,000</b>	<b>10</b>	<b>16</b>	<b>1/2</b>	<b>4.2</b>	<b>2</b>	<b>1/2</b>	<b>6.4</b>	<b>1 3/8</b>	<b>1 3/8</b>	<b>10.6</b>

**NOTES:**

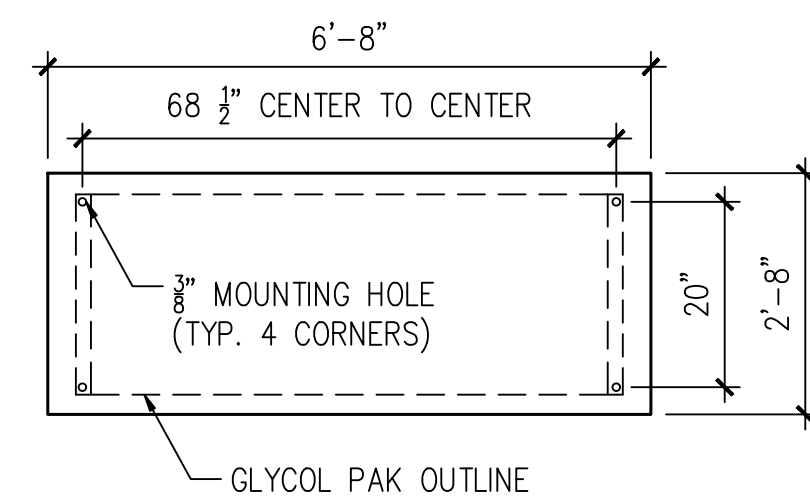
- 1)- LINE SIZE FOR 25' MAXIMUM RUN
- 2)- HEAT OF REJECTION @ 120 F. AMBIENT.
- 3)- USE MANFOLD SUPPLIED FOR PROPER CONNECTIONS
- 4)- FLUID VOLUME FOR 25' RUN ONLY  
AIR COOLED: \_X\_ WATER COOLED



**A ELECTRICAL & PIPING CONNECTING SEQUENCE**



**B "GLYCO-PAK" MODEL GP-4**



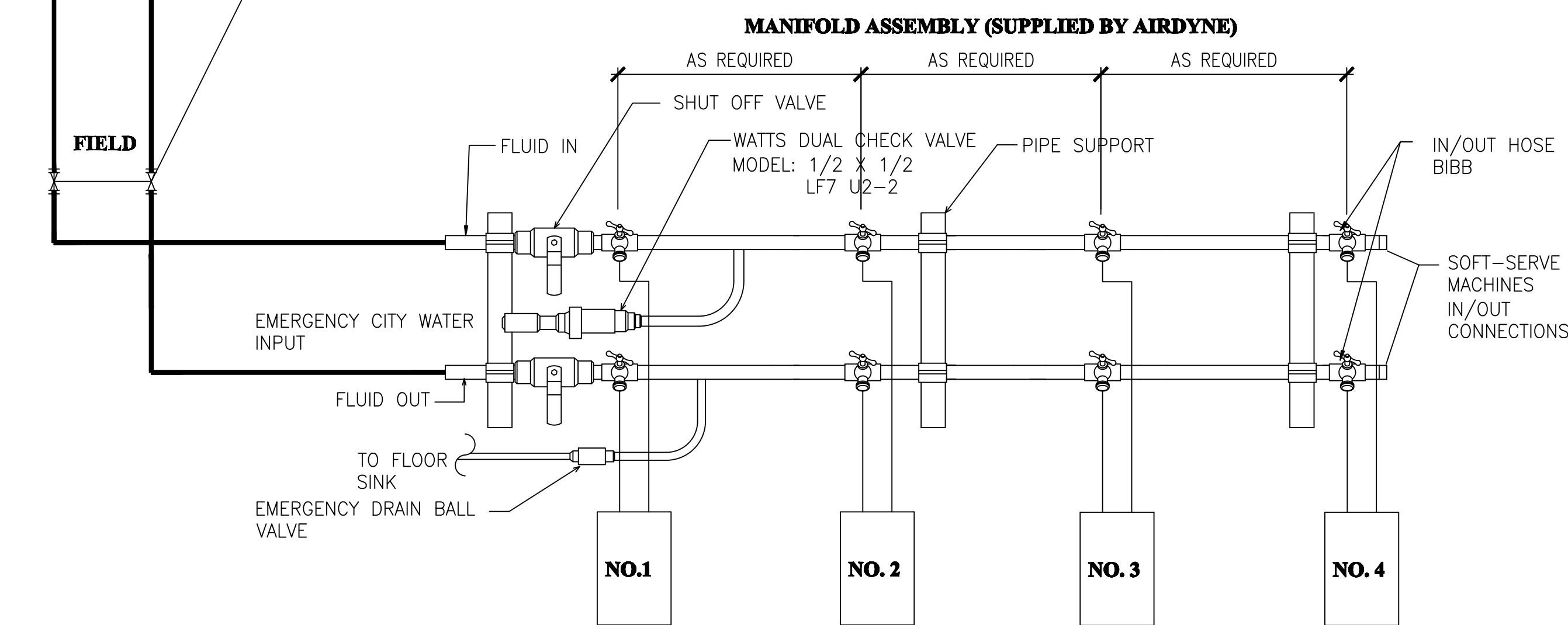
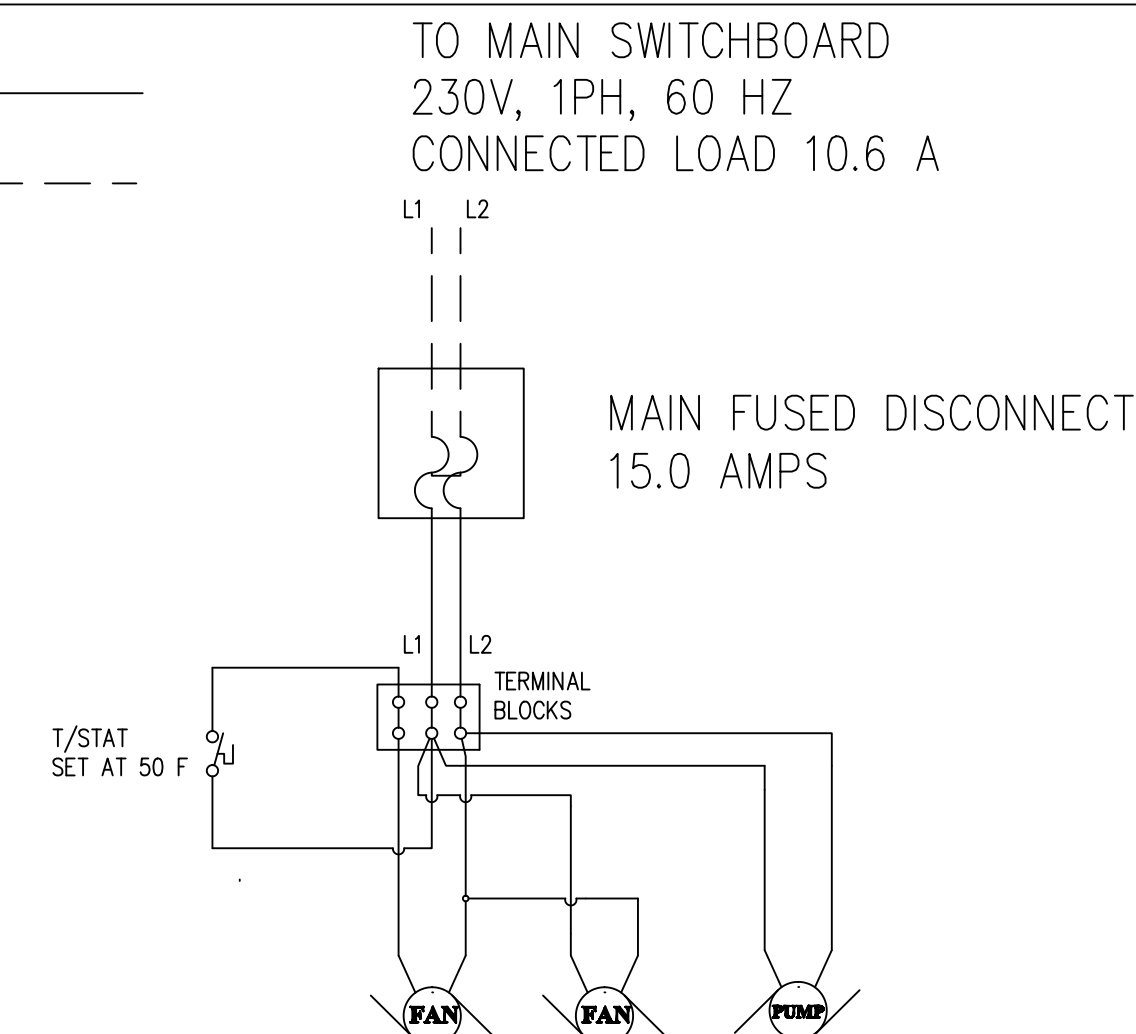
- NOTES:
1. GENERAL CONTRACTOR TO PROVIDE LEVEL BUILT-UP PLATFORM AT CODE HEIGHT WITH WATERTIGHT GALVANIZED SHEET METAL CAP.
  2. GENERAL CONTRACTOR TO PROVIDE ROOF PENETRATIONS PER LOCAL BUILDING CODES AND COLLAR SEALED UTILITY ACCESS WATERTIGHT AFTER COMPLETION OF TRADE SERVICES.
  3. GENERAL CONTRACTOR TO SECURE "GLYCO-PAK" TO ROOF CURB AND PROVIDE VIBRATION ISOLATORS IF DEEMED NECESSARY.
  4. PLUMBING CONTRACTOR TO PROVIDE CITY APPROVED BACKFLOW PREVENTER

**C PLATFORM DETAIL**

SCALE: 1/2" = 1'-0"

**F ELECTRICAL WIRING DIAGRAM**

FACTORY WIRING \_\_\_\_\_  
FIELD WIRING -----



- INSTALLATION NOTES:
- 1)- PROVIDE UNIONS FOR MANIFOLD ASSEMBLY.
  - 2)- USE FUNNEL TO FILL THE RESERVOIR WITH 50/50 PROPYLENE GLYCOL-WATER (PROVIDED) (CAUTION- WEAKER CONCENTRATIONS MAY FREEZE WITH FRIGID OUTDOOR TEMPERATURES)

**E CLOSED LOOP FIELD PIPING**

**START-UP PROCEDURES**

1. FILL THE SYSTEM PREMIXED WATER AND GLYCOL INTO THE RESERVOIR UNTIL TANK IS FULL (MAKE SURE ALL VALVES ARE OPEN EXCEPT THE EMERGENCY BALL VALVES)
2. PURGE THE AIR FROM ALL VENTS BY MANUAL BLEEDING.
3. OPERATE THE SYSTEM FOR ONE MINUTE ONLY
4. PURGE ALL VENTS MANUALLY.
5. OPERATE THE VENTS FOR ONE HOUR AND REPEAT THE MANUAL PURGING OF ALL VENTS.
6. REPEAT STEPS 4 AND 5 AFTER A FEW HOURS OF OPERATION.

Drawing Approval:  
APPROVED BY: \_\_\_\_\_  
DATE: \_\_\_\_\_

**ENGINEERING GUIDE SPECIFICATION  
GLYCOL-PAK FLUID COOLING SYSTEM  
FOR OUTDOOR INSTALLATION**

- THE GLYCOL-PAK SHALL BE A PRE-ENGINEERED AND FACTORY ASSEMBLED (UNIT AS MANUFACTURED BY AIRDYNE REFRIGERATION & AIR CONDITIONING DIVISION-ARI INDUSTRIES INC 17018 EDWARDS RD., CERRITOS, CA 90703 - TEL: (562) 926-2006 - FAX: (562) 926-2007 CONTRACTOR SHALL FURNISH AND INSTALL WHERE SHOWN ON PLANS.(1) AIRDYNE U L APPROVED GLYCOL-PAK MODEL GP-4 WITH CONTROL PANEL, 230 V 1 PHASE, 60 HZ POWER SOURCE
1. CONSTRUCTION  
THE PACKAGE SHALL BE A TOTALLY WEATHERPROOFED UNIT WITH DOOR PANEL ON FRONT SIDE.THE BASE SHALL BE MADE OF HEAVY DUTY STEEL WHILE THE ENCLOSURE AND SIDE PANELS SHALL BE GALVANIZED. THE ENTIRE IS TO BE PROTECTED AGAINST DUST AND CORROSION WITH MINIMUM OF 2 COATS PAINT.
  2. CLOSED LOOP GLYCOL FLUID COOLER  
A GLYCOL-PAK SYSTEM SHALL BE INSTALLED ON THE ROOF. THE FLUID SHALL CONSIST OF A HEAT TRANSFER COIL WITH FINS, PUMP, EXPANSION TANK PRESSURE BY-PASS VALVE,AUTOMATIC AIR PURGE VALVE CONTROL PANEL AND FAN MOTORS-ALL PREPIPED AND PREWIRED TO THE END OF THE CABINET.
  3. CONTROL PANEL  
SYSTEM SHALL BE PROVIDED WITH PRE-WIRED CONTROL PANEL FOR SINGLE POINT POWER CONNECTION WITH MAIN FUSED DISCONNECT CONTROL PANED SHALL INCLUDE THERMOSTATIC CONTROL FOR AUTOMATIC FAN SHUTDOWNS.
  4. FLUID MANIFOLDS  
TWO FLUIDS MANIFOLDS SHALL BE PROVIDED WITH SHUT-OFF VALVES AND EMERGENCY CITY WATER BY PASS VALVES FOR BACKUP IN CASE OF MALFUNCTION.
  5. GLYCOL FLUID  
A 50% PROPYLENE GLYCOL WATER SOLUTION SHALL ONLY BE USED (CAUTION DO NOT DILUTE FURTHER OR SYSTEM MAY FREEZE.

**GENERAL CONSTRUCTION NOTES FOR TRADES**

1. INSTALLING CONTRACTOR
  - A. CONTRACTOR SHALL VERIFY ALL DIMENSIONS AND COORDINATE WITH OTHER TRADES
  - B. CONTRACTOR SHALL PREPARE RAILS AND CUBED OPENINGS AND SHALL WEATHERPROOF THE SAME AFTER INSTALLATION OF EQUIPMENT
  - C. CONTRACTOR SHALL PROVIDE TYPE "L" COPPER PIPING FOR FLUID COOLER PACKAGE; INSTALL MANIFOLD ASSEMBLY AND PROVIDE UNION AT FIELD CONNECTIONS; TIGHTEN ALL SHUT-OFF VALVES AND CHECK FOR LEAKS BEFORE CLOSING THE WALL.
  - D. ALL PLUMBING INSTALLATION SHALL BE IN ACCORDANCE WITH STATE AND LOCAL CODES.
2. ELECTRICAL CONTRACTOR
  - A. CONTRACTOR SHALL PROVIDE POWER FOR FLUID COOLER PACKAGE.
  - B. ALL ELECTRICAL WIRING AND INSTALLATION SHALL BE IN ACCORDANCE WITH THE WIRING DIAGRAM AND LOCAL CODES.

**AIRDYNE**  
17018 Edwards Road  
Cerritos, Ca 90703  
Tel: (562) 926-2006  
Fax: (562) 926-2007

JOB TITLE: XXXXXXXX  
JOB ADDRESS: XXX XXX

NO.	DATE	REVISIONS

DATE	ISSUED FOR

SHEET TITLE  
**GLYCOL-PAK PLAN**  
(GP-4)

Drawn By: Name  
Checked By: Name  
Job No: #  
Date: 01/01/12  
Scale: SHOWN

SHEET NO.  
**GP-4**