



FT4

TurnKeyParlor.com

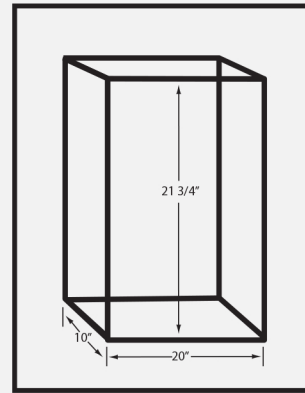
877-817-5716

equipment@turnkeyparlor.com

FT Four Tub Storage Freezer



FT Internal Dimensions



Technical Summary

Model	Size				Electrical			Refrigeration		Other		
	Dimensions (inches) Length x Depth x Height	Cubic Feet	Net Weight (lbs.)	Shipping Weight (lbs.)	Voltage/Hz/Phase	Running Amps	KWh/24hr	Compressor HP	Refrigerant	Temperature	Capacity: 3-Gallon Cans	Container Quantity
FT-4												

SPECIAL FEATURES

- Stainless steel exterior & interior
- Heavy-duty metal hinges for flip-flop lids
- Casters - 2 locking
- Integrated lid stop protectors
- Small footprint
- Recessed door handles



877-817-5716

equipment@turnkeyparlor.com