

Z6 Z9 Z12



BID SPECIFICATIONS

S
T
A
N
D
A
R
D

- * SELF-CONTAINED, AIR-COOLED CONDENSING UNIT
- * LED LIGHTING
- * GALVANIZED STEEL CHASSIS CONSTRUCTION
- * UNIQUE FAN ASSISTED AIRFLOW DESIGN
- * INSULATED WITH DENSE NON-CFC ECOLOGIC POLYURETHANE FOAM
- * BACK & INSIDE STRUCTURE MADE OF HIGH GLOSS 304 STAINLESS STEEL
- * HEATED FRONT AND SIDE GLASS
- * HYDRAULIC LIFT UP FRONT GLASS
- * STAINLESS STEEL WORK SURFACE
- * DIGITAL DIAGNOSTIC CONTROL / PROGRAMMABLE DEFROST
- * ROLL DOWN REAR CURTAIN
- * THE STANDARD LIMITED WARRANTY INCLUDES:
5 YEAR COMPRESSOR; 1 YEAR PARTS; 90 DAYS LABOR

O
P
T
I
O
N
A
L

- * CASTERS
- * PANS NOT INCLUDED



- * FACTORY STANDARD MATTE WHITE FRONT & SIDE PANELS

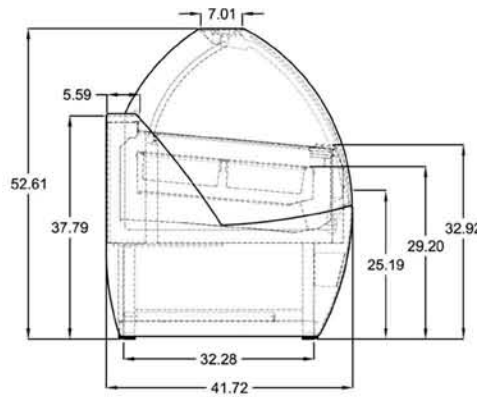
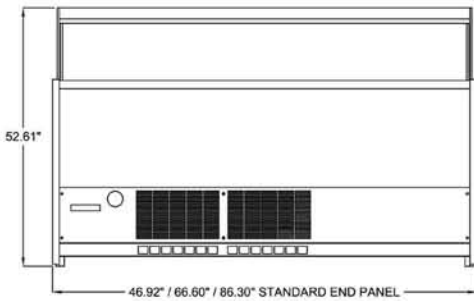
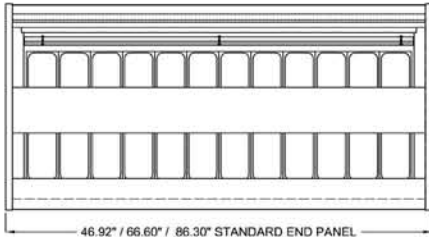


EVO (FORMERLY VENTURA L II) Ice Cream / Gelato Case Technical Specifications

Updated Model no.	Factory Codes	Case Height	* Case Lengths	Case Depth	Crated Weights (lb)	Line Voltage	Breaker Sizes	Amp Draws	BTUs	Working Temp F	Pan Capacity		Comp. HP
									-20 Evap Temp (R404a)		5 Liter	12 Liter	
Z6	G6	52.61"	46.92"	41.72"	950	220/1/60	20amps	12	3069	-10 to + 10	12	8	1 1/2 HP
Z9	G9	52.61"	66.60"	41.72"	1110	220/1/60	20amps	14	6138	-10 to + 10	18	12	2 HP
Z12	G12	52.61"	86.30"	41.72"	1250	220/1/60	30amps	16	7850	-10 to + 10	24	16	2 X 1 1/2 HP

* Case lengths are specified with standard end panels

Factory Codes	Pan Layouts	Pan Sizes
G6		5 Liter
G6		12 Liter
G9		5 Liter
G9		12 Liter
G12		5 Liter
G12		12 Liter



PLAN & REAR VIEW

SIDE VIEW

LISTINGS:



ELECTRICAL CONNECTION:

Display cases are shipped with applicable junction box for hardwired installation
 Options exist for several NEMA configurations
 Plug and/or receptacle configurations are at the discretion of the electrical installer

NOTE:

Required ambient conditions: 75°F; 55% RH
 Drawing and Specifications are subject to change without notice

Freezerplanet.com
 877-817-5716
 equipment@turnkeyparlor.com