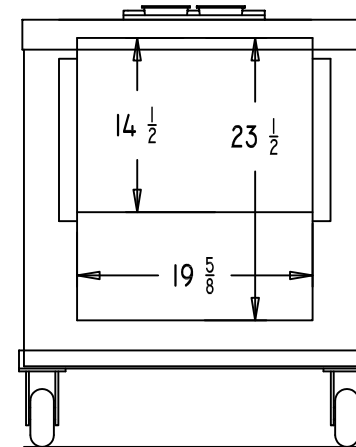
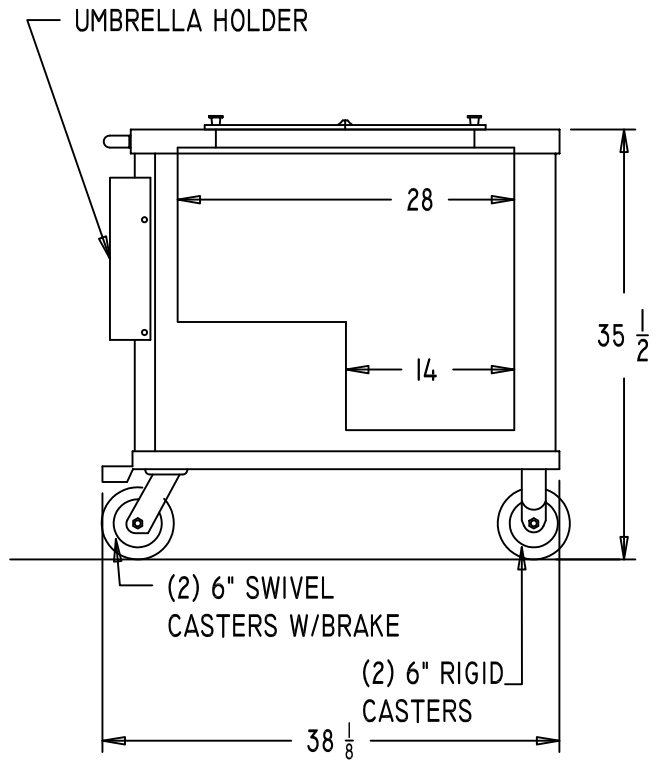
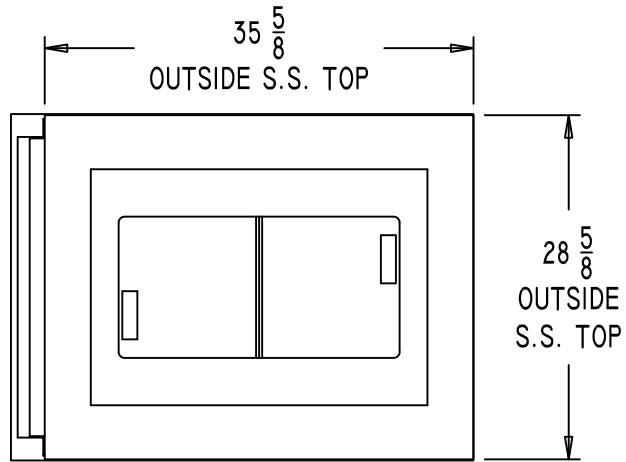


MEETING HEALTH DEPARTMENT  
 REQUIREMENTS ARE THE RESPONSIBILITY  
 OF THE CUSTOMER



REV.		C. NELSON MFG.	
TITLE: BDC-6			
USED ON: FINISHED GOODS			1 OF 1
DWN. BY: JEO	PART NO.: BDC-6		REV.
DATE: 04/23/08			NR
SCALE: AUTO			