

LABEL	DIM. WITH COLD PLATE	DIM. W/O COLD PLATE
A	36	39
B	22 1/2	24
C	22	25

MEETING HEALTH DEPARTMENT
 REQUIREMENTS ARE THE
 RESPONSIBILITY OF THE CUSTOMER

REV. _____

C. NELSON MFG.

TITLE: BD6-CE WITH SINK

USED ON: FINISHED GOODS

DWN. BY: JED

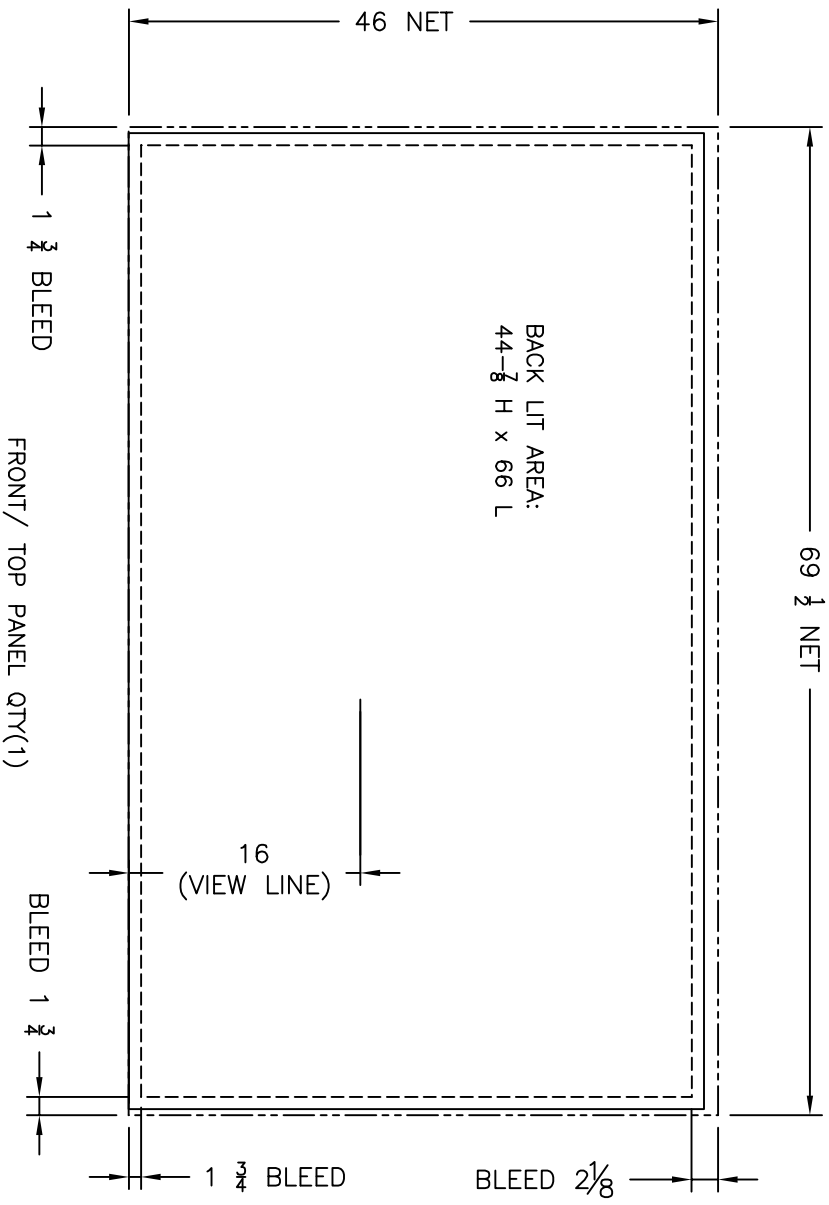
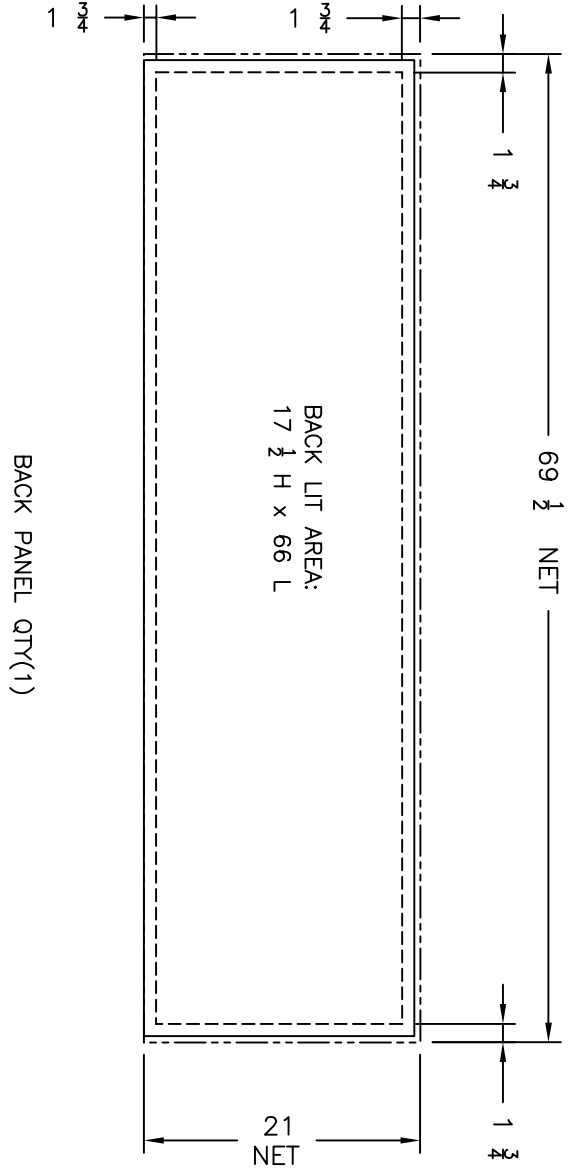
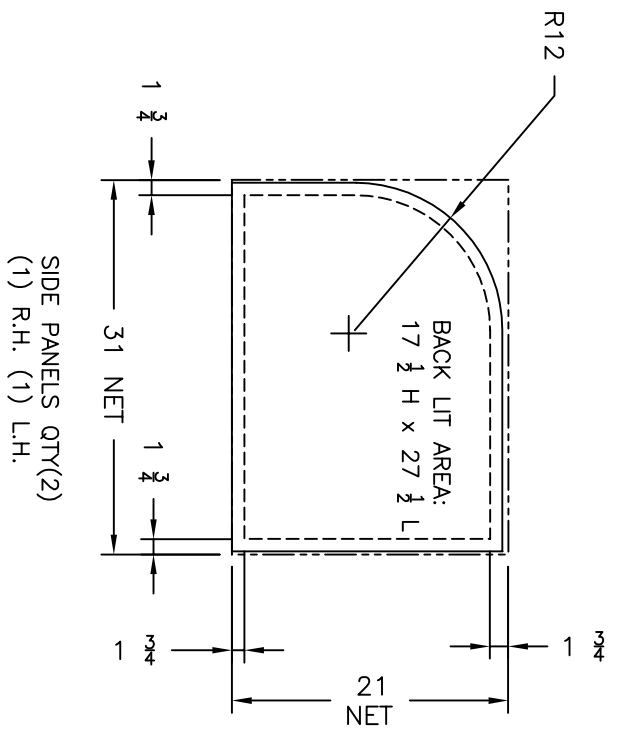
DATE: 04/18/08

SCALE: AUTO

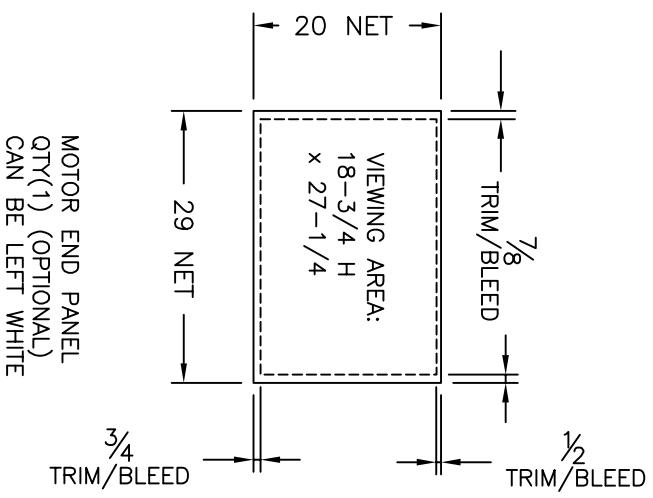
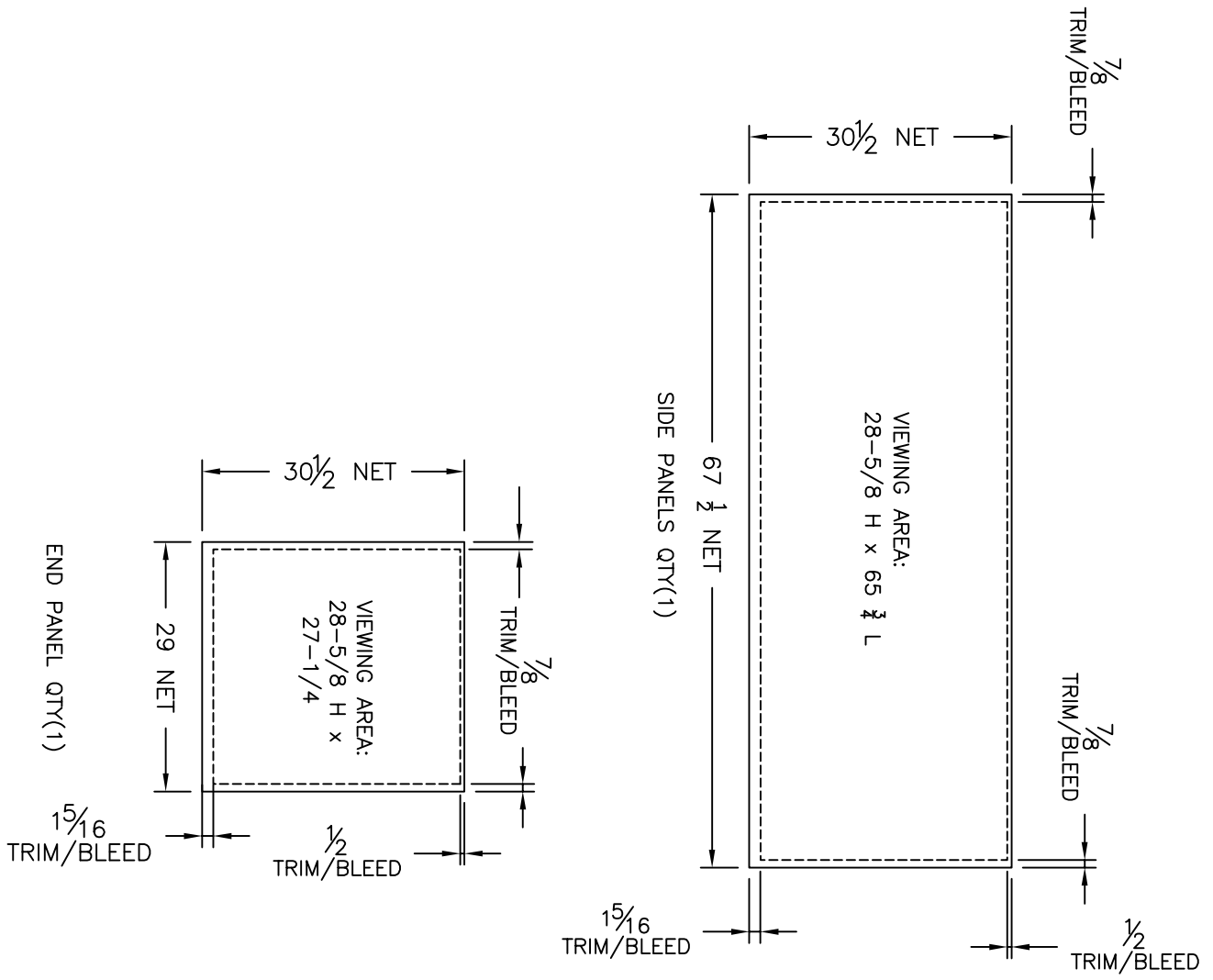
PART NO.: BD6-CE-03

REV. NR

1 OF 1



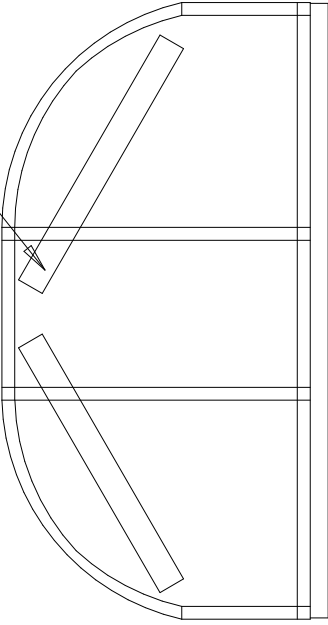
REV.	C. NELSON MFG.	
TITLE:	BD6CE CANOPY PANEL LAYOUT	
USED ON:	BD-6CE W/24" EXT.	2 OF 2
DWN. BY:	JED	
DATE:	02/05/10	
SCALE:	AUTO	
PART NO.:	BD6CE(DIP)-01-02-03	REV. NR



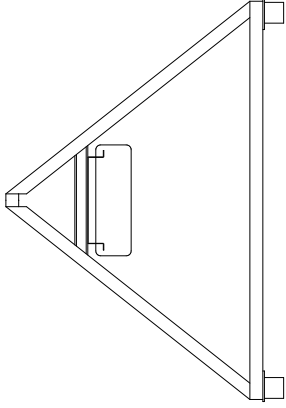
MOTOR END PANEL
QTY(1) (OPTIONAL)
CAN BE LEFT WHITE

REV.		
C. NELSON MFG.		
TITLE: BD-6CE PANEL LAYOUT		
USED ON:	BD-6CE W/24" EXT	2 OF 2
DWN. BY:	JED	
DATE:	2/5/10	
SCALE:	AUTO	
PART NO.:	BD6CE(DIP)-01-02-03	REV. NR

FLORESCENT LIGHTS

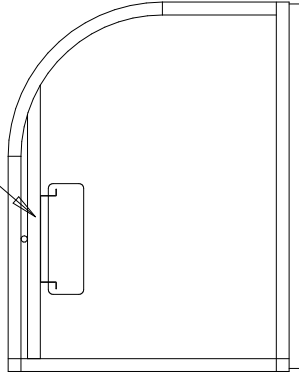


(1) DOME

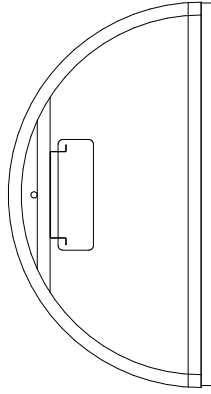


(2) TENT

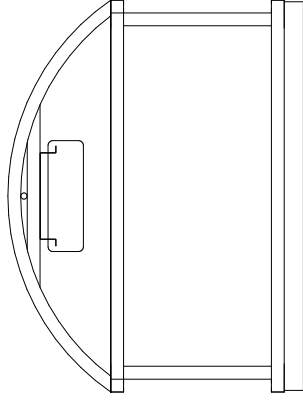
FLORESCENT LIGHT



(3) 1/4 ROUND



(4) BARREL
OR 1/2 ROUND



(5) DOME WITH
INSERTS

REVISIONS

C. NELSON MFG. °

DWN: IMP DATE: 11/19/96

SCALE: 1/16

TITLE: CANDY EXAMPLES

PART No. : 22-994

REV