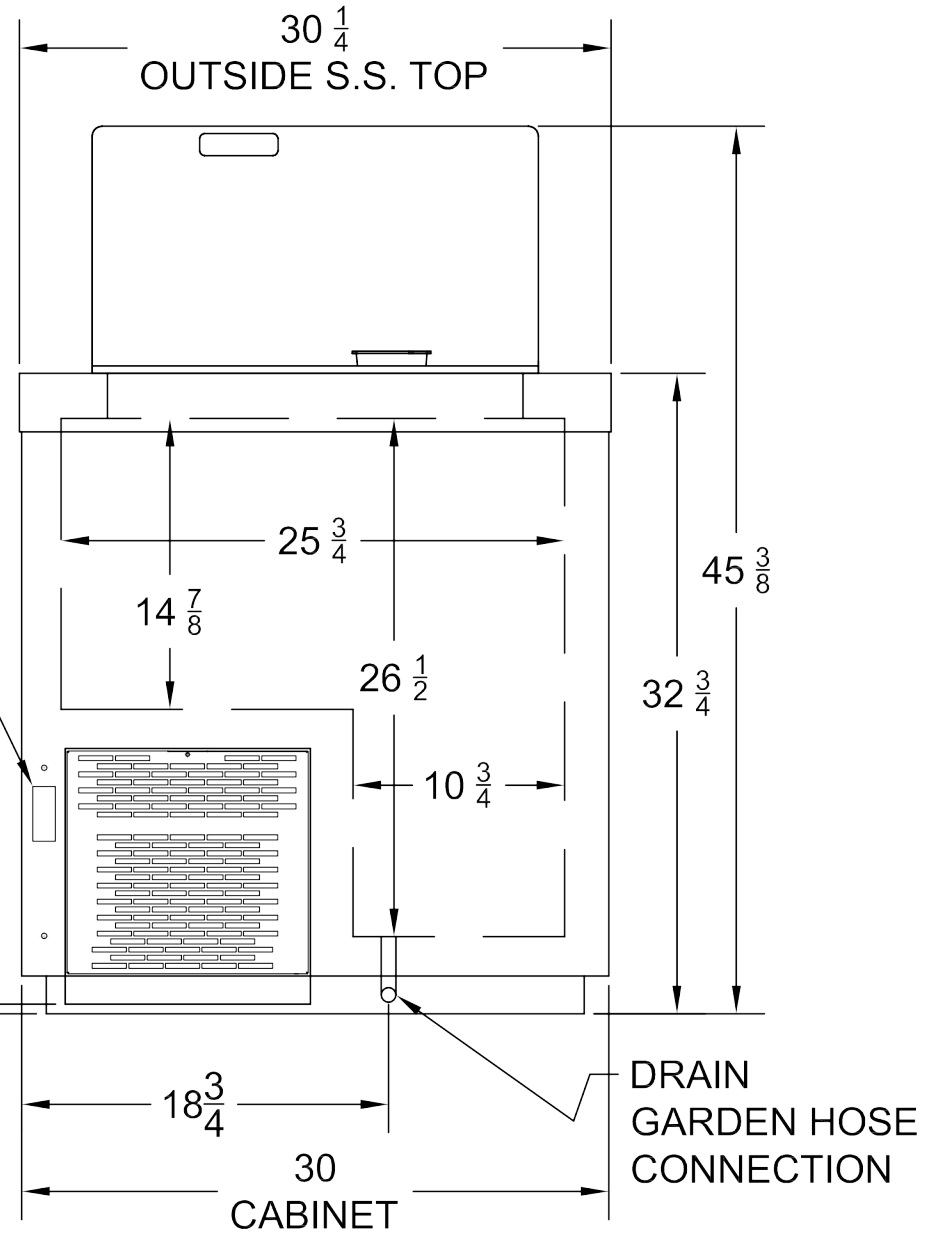


DIGITAL  
THERMOSTAT

CUT DOWN TO  
 $\frac{1}{2}$ " FOR VENTING

SERVICE CORD  
EXTENDS 7'  
FROM BASE



HP	Volts	Amps	Wt. lbs
1/3	115/220	8/4	225

REV.		C. NELSON MFG.	
TITLE: BD4			
USED ON: FINISHED GOODS			1 OF 1
DWN. BY: RMP	PART NO.:		BD4
DATE: 06/05/98			REV. NR
SCALE: AUTO			