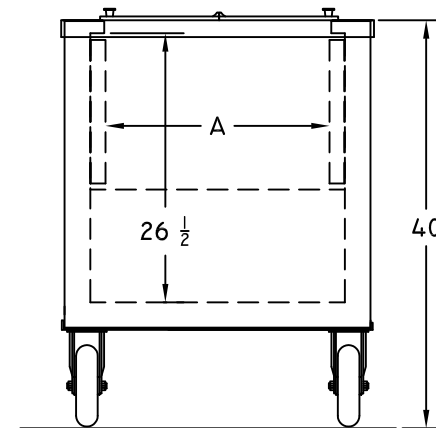
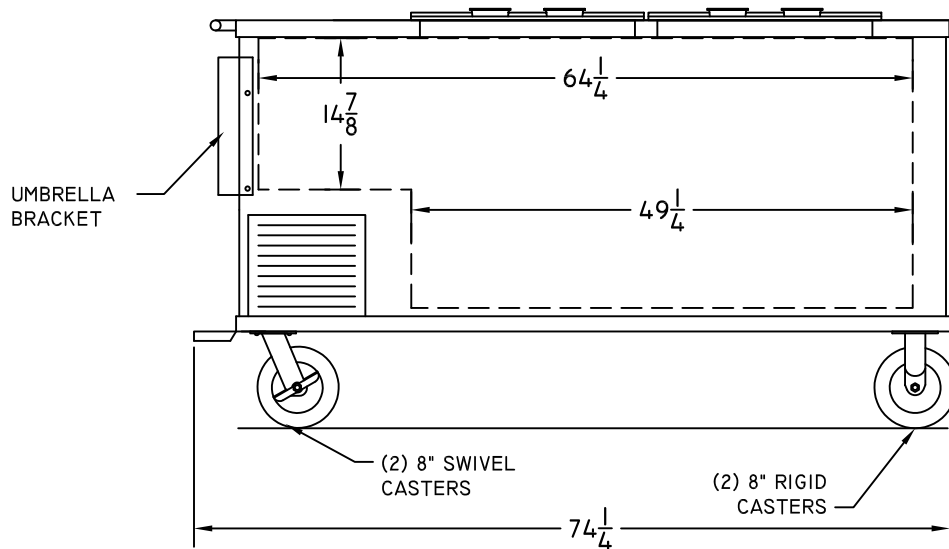
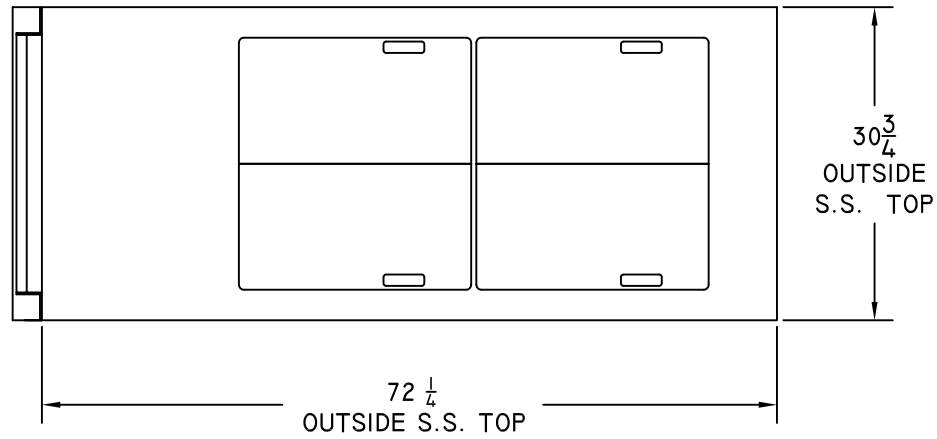


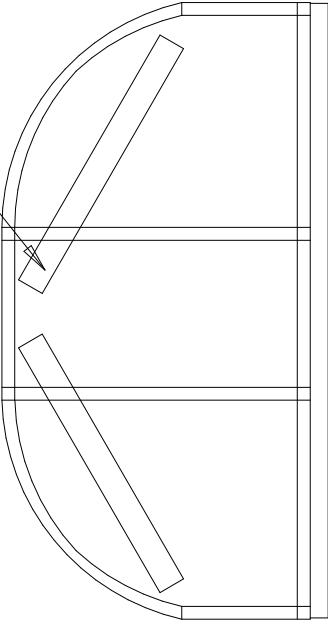
LABEL	DIM. WITH COLD PLATE	DIM. W/O COLD PLATE
A	22	25

MEETING HEALTH DEPARTMENT
REQUIREMENTS ARE THE
RESPONSIBILITY OF THE
CUSTOMER

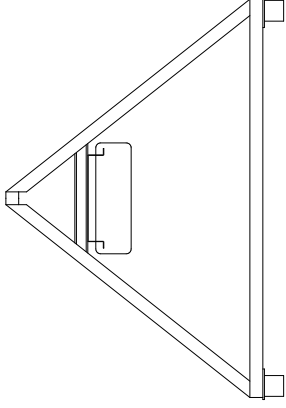


REV.		C. NELSON MFG.	
TITLE: BD10-CU			
USED ON: FINISHED GOODS			1 OF 1
DWN. BY: JED	PART NO.:		REV.
DATE: 04/24/08	BD10-CU		NR
SCALE: AUTO			

FLORESCENT LIGHTS

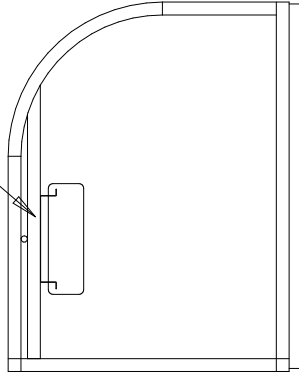


(1) DOME

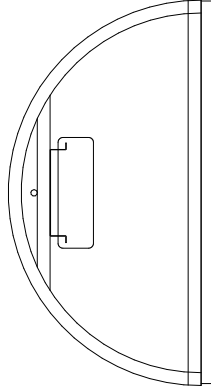


(2) TENT

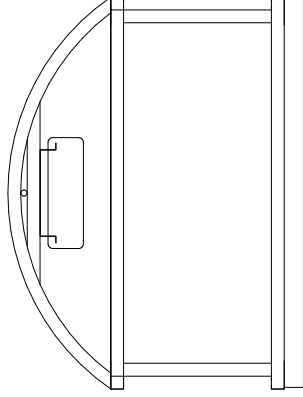
FLORESCENT LIGHT



(3) 1/4 ROUND



(4) BARREL
OR 1/2 ROUND



(5) DOME WITH
INSERTS

REVISIONS

C. NELSON MFG. °

DWN: IMP DATE: 11/19/96

SCALE: 1/16

TITLE: CANDY EXAMPLES

PART No. : 22-994

REV