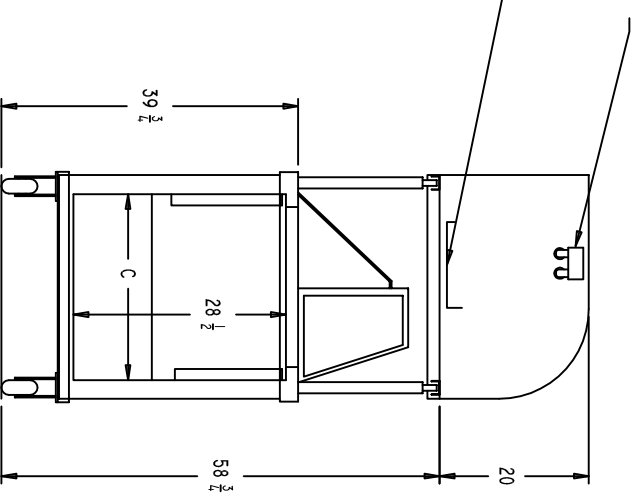
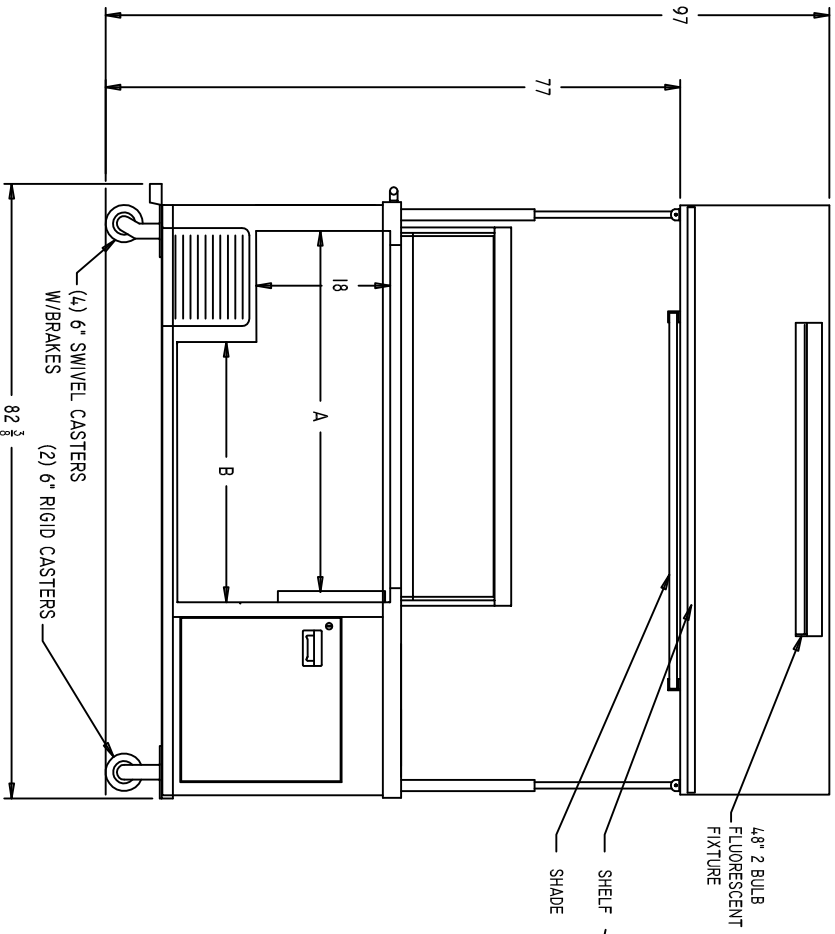
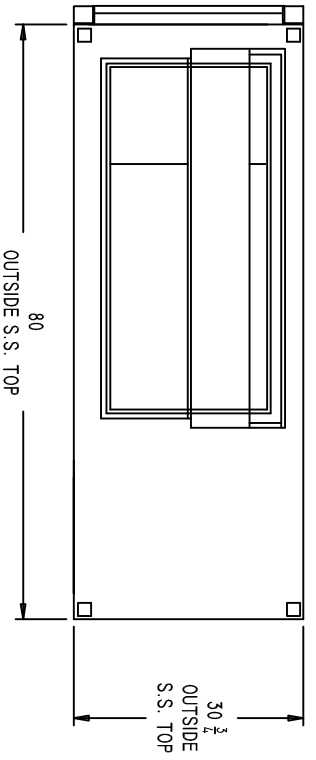


LABEL	DIM. WITH COLD PLATE	DIM. W/O COLD PLATE
A	47 $\frac{1}{2}$	49 $\frac{1}{2}$
B	32 $\frac{1}{2}$	34 $\frac{1}{2}$
C	22	25

MEETING HEALTH DEPARTMENT
REQUIREMENTS ARE THE RESPONSIBILITY
OF THE CUSTOMER



REV.

C. NELSON MFG.

TITLE: BD8-DIPCE WITH EXT.

USED ON: FINISHED GOODS

1 OF 1

DWN. BY: JED
DATE: 2/4/2010
SCALE: AUTO

PART NO.: BD8-DIPCE-01

REV.
NR