

# Aspen Deluxe

**SEVEL**  
SHOWCASE



AD - 24 Gelato

- All heated double pane glass offers resistance to condensation under widest range of temperatures and humidity
- Available for Gelato/Ice Cream, Pastry, Deli and Chocolate/Praline
- Illuminated front panel
- Hydraulic piston hinge front glass
- All RAL colors, plus custom-made and wood colors

- Illuminated flavor labels
- Temperature controlled using a digital control panel
- Automatic hot gas defrost system
- 5 Liter stainless steel pans included
- Caster wheels included
- Can be multiplexed with 4 different size straight ASPEN DELUXE models (12, 16, 18 and 24 pans), 45 degree ASPEN DELUXE S units and custom-made ASPEN DELUXE counters



AD - 18 D Gelato



AD - S 45 Gelato

- Endless 45 degree curves of AD S 45 gives perfect visibility to your ice cream / gelato, pastry or chocolate products in your shop
- This is an example of a 135 degree ASPEN DELUXE S COMPLEX formed by multiplexing 3 of 45 degree units...



Your favorite flavor labels

Your gelato in best condition

All RAL colors available

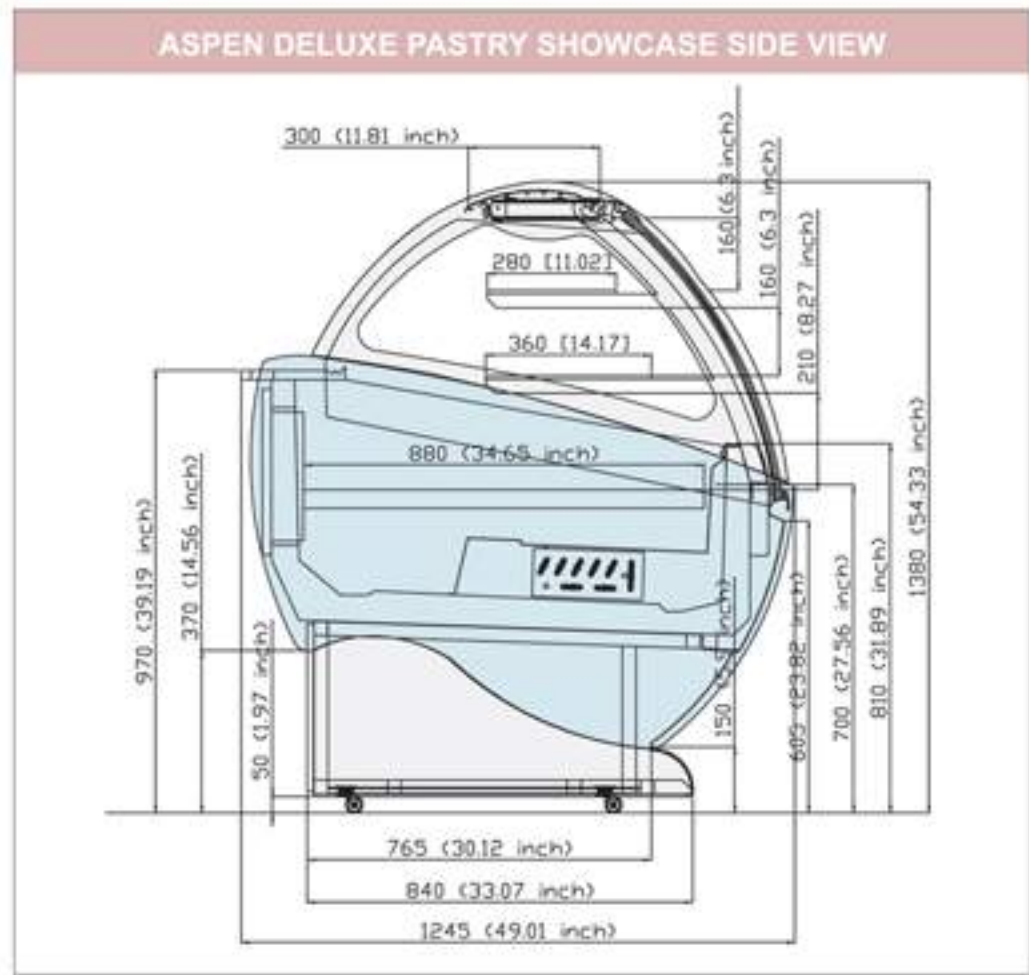
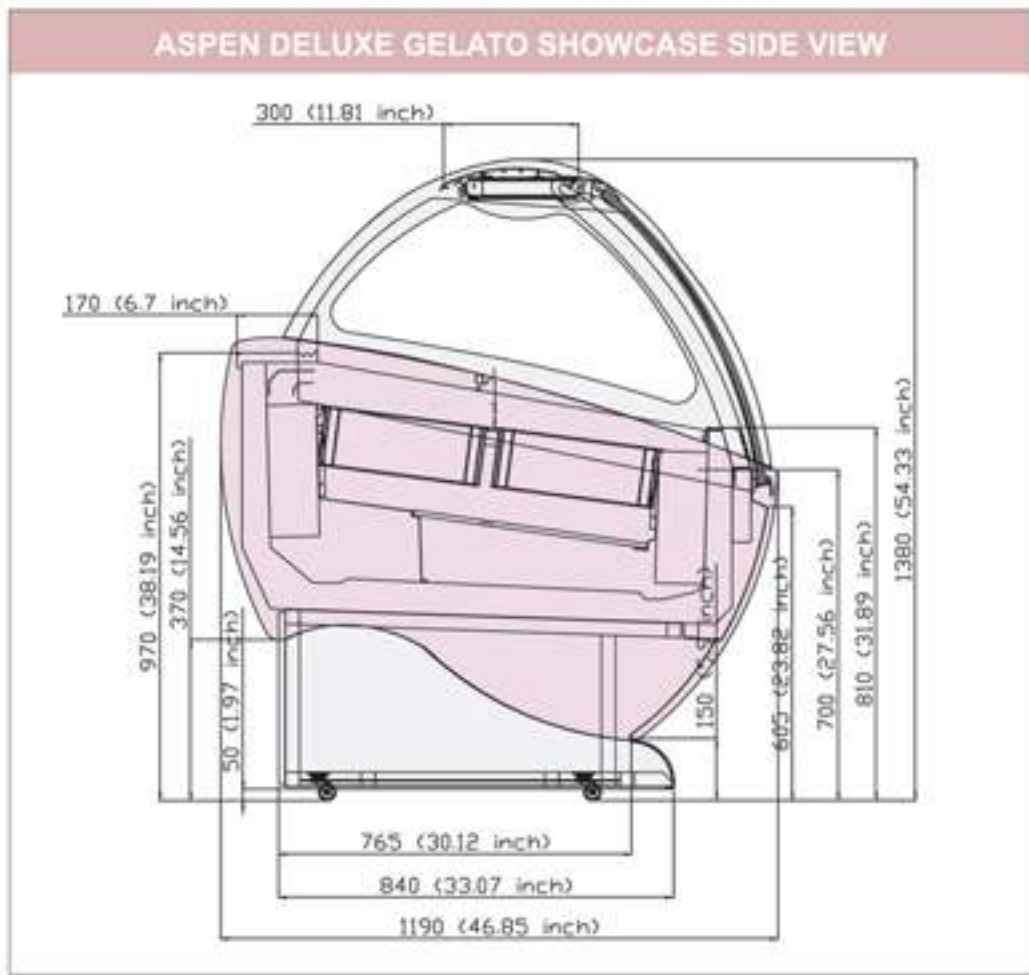
Hydraulic opening front glass

Optional LED-Light front panel

**TECHNICAL SPECIFICATIONS**

**ASPEN DELUXE & ASPEN DELUXE S GELATO - PASTRY SHOWCASES**

	AD - 12G	AD - 16G	AD - 18G	AD - 24G	AD - 12P	AD - 16P	AD - 18P	AD - 24P	AD - 24 COMBO		ASPEN DELUXE S 45		
											GELATO	PASTRY	
LENGTH	48.23'	61.38'	68.19'	88.62'	48.23'	61.38'	68.19'	88.62'	88.62'		----		
DEPTH	46.85'	46.85'	46.85'	46.85'	49'	49'	49'	49'	49'		46.85'		
HEIGHT (53.97' For D Version)	54.33'	54.33'	54.33'	54.33'	54.33'	54.33'	54.33'	54.33'	54.33'		54.33'		
WEIGHT	Net Lbs. Gross / Brut Lbs.	551.1 747.3	815.7 1003	875.2 1080	1014 1278	529.1 705.4	727.5 925.9	787 992	925.9 1190	1157.4 1267.6		542.3 696.6	
CAPACITY OF PANS	12 x 5 Lt. 8 x 7 Lt.	16 x 5 Lt. 10 x 7 Lt.	18 x 5 Lt. 12 x 7 Lt.	24 x 5 Lt. 16 x 7 Lt.	-----	-----	-----	-----	-----	12 x 5 Lt. 8 x 7 Lt.	-----	9 x 5 Lt. 7 x 7 Lt.	-----
POWER OF COMPRESSORS	1130W	782W + 700W	782W + 782W	782W + 1130W	490W	580W	630W	1170W	1130W	580W	1400W	580W	
REFRIGERANT	R404a	R404a	R404a	R404a	R134a	R134a	R134a	R134a	R404a	R134a	R404a	R134a	
RUNNING TEMPERATURE AT 75 F, 60% RELATIVE HUMIDITY	-10F / +10F	-10F / +10F	-10F / +10F	-10F / +10F	+39F / +46F	+39F / +46F	+39F / +46F	+39F / +46F	-10F / +10F	+39F / +46F	-10F / +10F	+39F / +46F	
POWER SUPPLY	220 / 1/60Hz	220 / 1/60Hz	220 / 1/60Hz	220 / 1/60Hz	220 / 1/60Hz	220 / 1/60Hz	220 / 1/60Hz	220 / 1/60Hz	220 / 1/60Hz		220 / 1/60Hz		
COMPRESSOR TYPE	Hermetic	Hermetic	Hermetic	Hermetic	Hermetic	Hermetic	Hermetic	Hermetic	Hermetic		Hermetic		
REFRIGERATION SYSTEM	Forced Air Ventilated	Forced Air Ventilated	Forced Air Ventilated	Forced Air Ventilated	Forced Air Ventilated	Forced Air Ventilated	Forced Air Ventilated	Forced Air Ventilated	Forced Air Ventilated		Forced Air Ventilated		
DEFROSTING	Automatic	Automatic	Automatic	Automatic	Automatic	Automatic	Automatic	Automatic	Automatic		Automatic		
DEFROSTING TYPE	Hot Gas + Resistance	Hot Gas + Resistance	Hot Gas + Resistance	Hot Gas + Resistance	Resistance	Resistance	Resistance	Resistance	Hot Gas + Resistance	Resistance	Hot Gas + Resistance	Resistance	



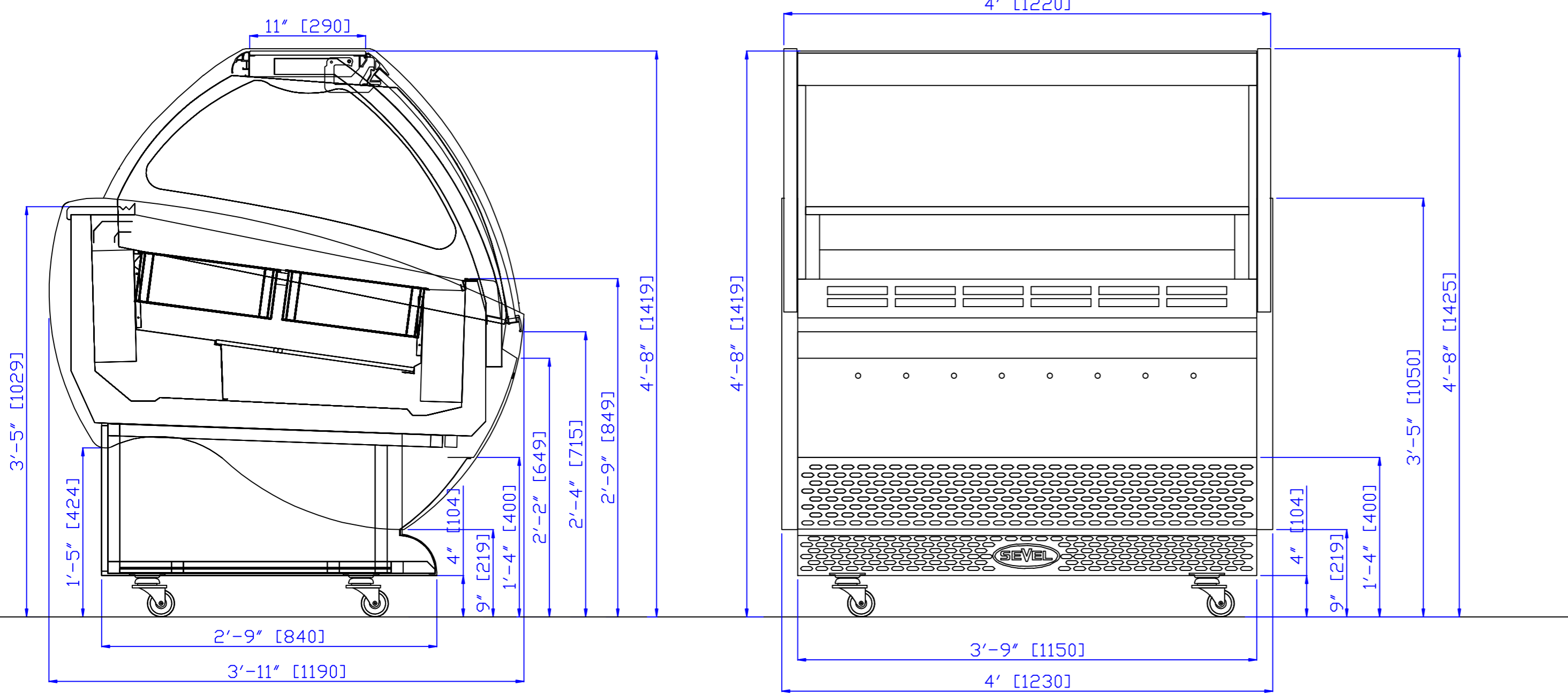
**LISTINGS**



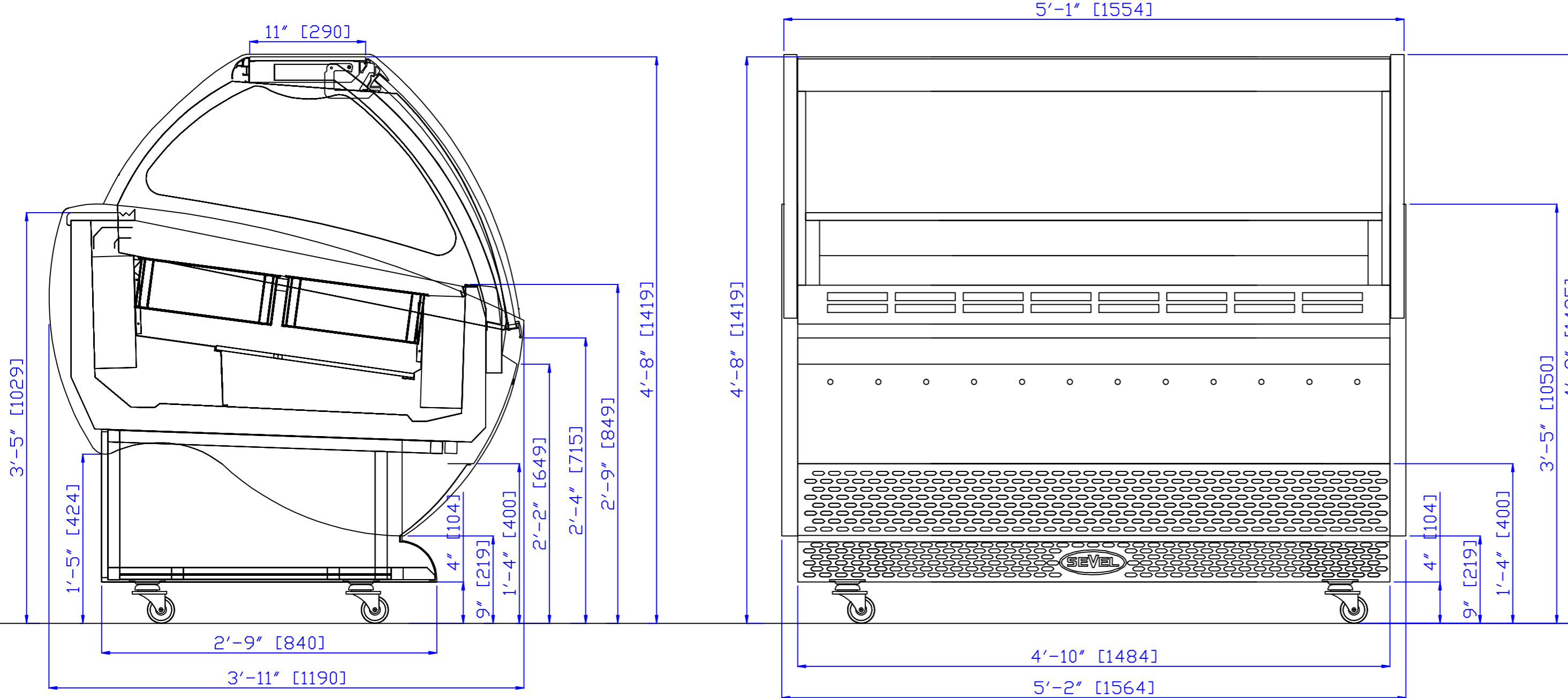
**Sevel USA, LLC**  
 15534 W.Hardy Road Suite #170 Houston, TX 77060  
 Tel: 281-272-1400 - Fax: 281-272-1611  
 www.sevelusa.com

SEVEL reserves the right to make changes on the color and model of the products displayed.

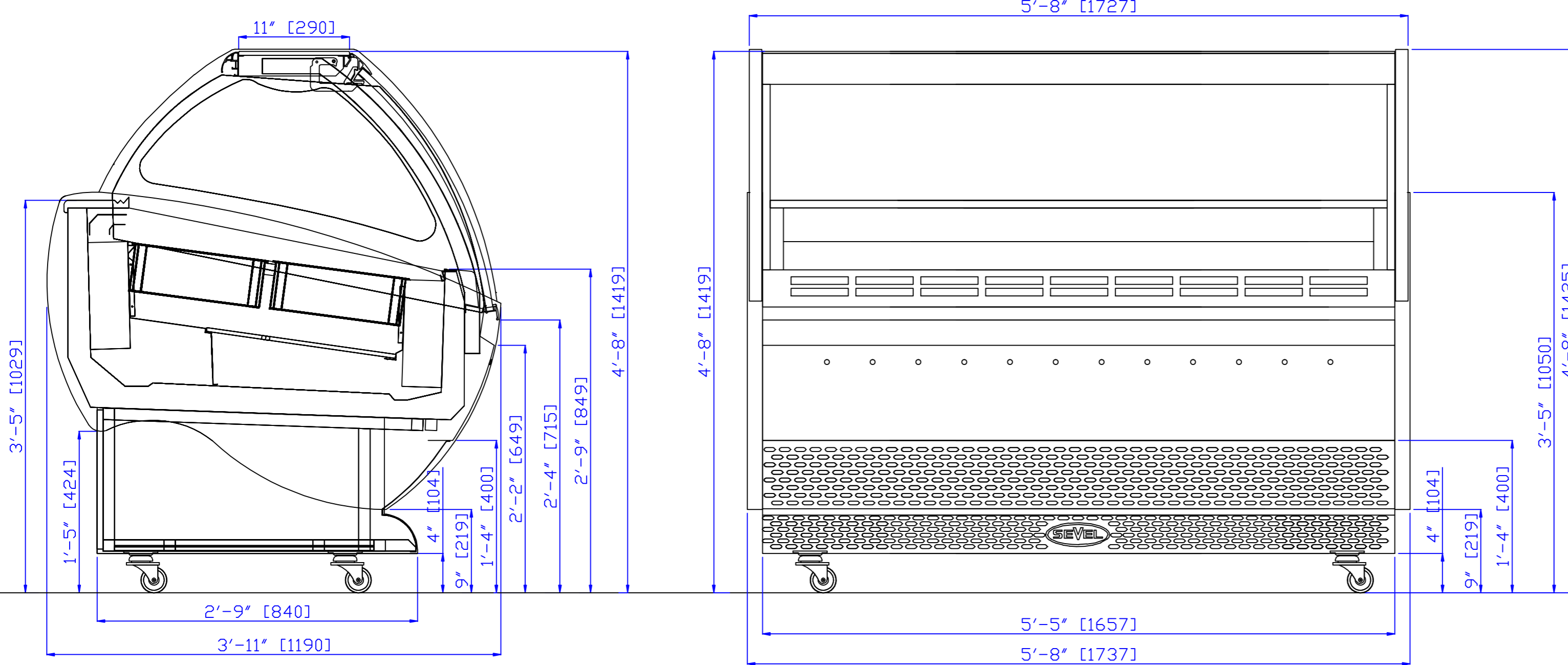
## ASPEN DELUXE-12 GELATO FRONT VIEW



## ASPEN DELUXE-16 GELATO FRONT VIEW



## ASPEN DELUXE-18 GELATO FRONT VIEW



## ASPEN DELUXE-24 GELATO FRONT VIEW

