


TurnKeyParlor.com
Ice Cream Equipment Superstore.



AC

Air Curtain Display
Cooler

FreezerPlanet.com
equipment@turnkeyparlor.com
877-817-5716

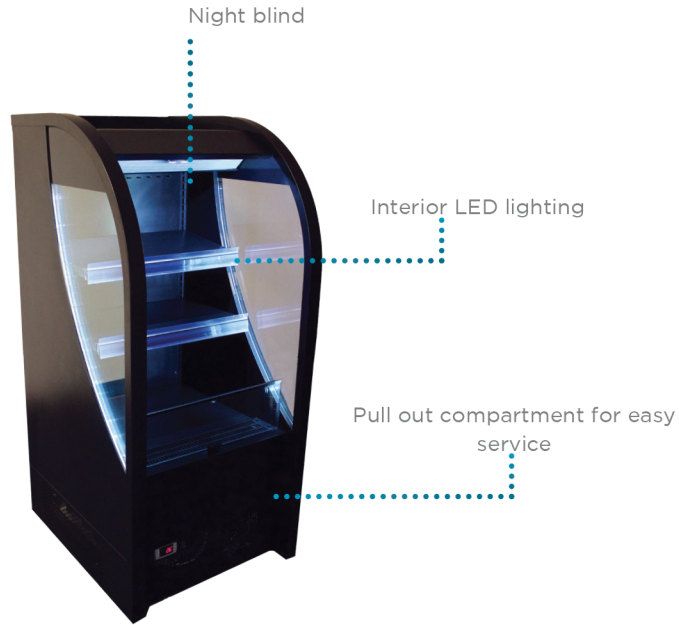
KEY ASPECTS

SPECIAL FEATURES:

- Easy maintenance and service
- Electronic thermostat
- Energy efficient
- Environmentally friendly hydrocarbon refrigerant
- Price tag molding

OPTIONS:

- Extra shelves
- Graphics
- Casters with 2 locking



Complies with 2017 DOE standards for commercial cooler without door

TECHNICAL SUMMARY

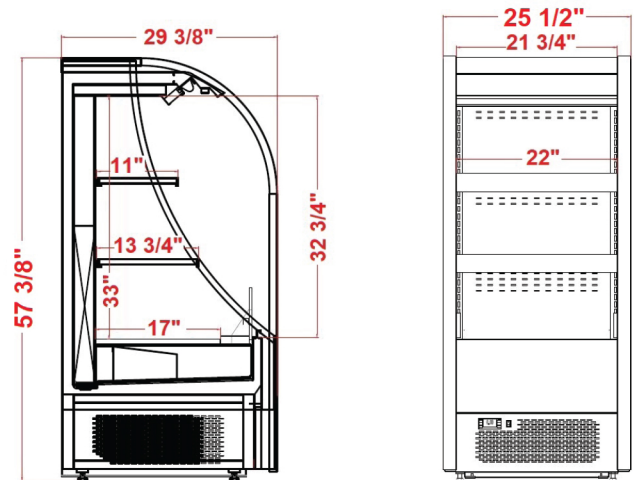
MODEL	SIZE	ELECTRICAL			REFRIGERATION			OTHER		
	Dimensions (inches)* Width x Depth x Height	Cubic Feet	Net Weight (lbs.)	Shipping Weight (lbs.)**	Voltage/Hz/Phase	Running Amps	Compressor HP	Refrigerant	Temperature	Container Quantity
AC-6HC	25 1/2 x 29 3/8 x 57 3/8	6.0	297	364	115/60/1	8.0	1/2	R-290	+32°F to +41°F	42

*Dimensions are all nominal lengths

**Does not include weight of pallet when needed



TurnKeyParlor.com
Ice Cream Equipment Superstore.



equipment@turnkeyparlor.com, | 877-817-5716