

Mobile Dipping Carts, Your Best Deal and Lowest Prices Online

Nelson Mobile scooping carts are designed for use ANYTIME or ANYWHERE

Our sink systems are approved by NSF, LA County and Clark County, Nevada. Should you need specific information for those locales, Call or e-mail.

Our ice cream, Italian Ice or Gelato carts can be made with stainless flip lids (recommended for outdoor use) or with an open-top as a visual dipping cabinet. While we recommend the stainless flip lids for outdoor use, the visual display model can come with optional sliding lids that will help the ice cream freezer hold temperature outdoors, and is easily added or taken off to suit the conditions. For instance, the same cart can be used as a visual display ice cream dipping cart in a sports arena or convention center or the sliding lid set can be added for use outdoors if conditions require.

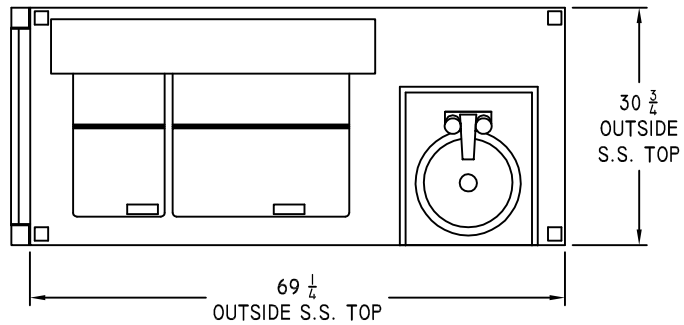
With the exclusive Nelson digital temperature control, standard on all dipping carts, you can easily use the same cart for a wide variety of products, from the warmer temperatures of soft frozen water ices or Italian ice, to gelato, or ice cream products requiring temperatures of -20 degrees or colder. The digital temperature control allows for the precise setting of the temperature 1 degree at a time.

Specifications for Models BD#-(DIP)CE-##:

- Lid Locks standard on all cart models
- Top to be stainless steel, standard
- Base frame welded aluminum
- All exposed corners welded polished smooth
- Interior stainless steel standard
- Bottom drain for defrost.
- Electronic thermostat standard.
- NSF & ETL approved for outdoor use.
- 115volts, optional 220 volts
- Sink system requires separate 15 amps of 115 volt electricity.

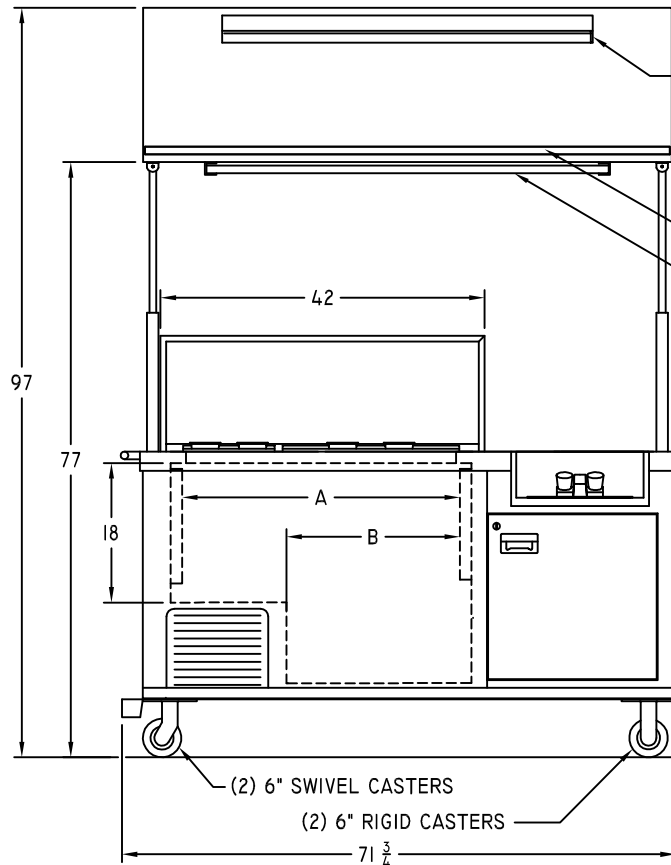


2014 Rita's Nelson BD6-CE-3 Cart w/ Sink & Canopy



LABEL	DIM. WITH COLD PLATE	DIM. W/O COLD PLATE
A	36	39
B	22 1/2	24
C	22	25

MEETING HEALTH DEPARTMENT
REQUIREMENTS ARE THE
RESPONSIBILITY OF THE CUSTOMER



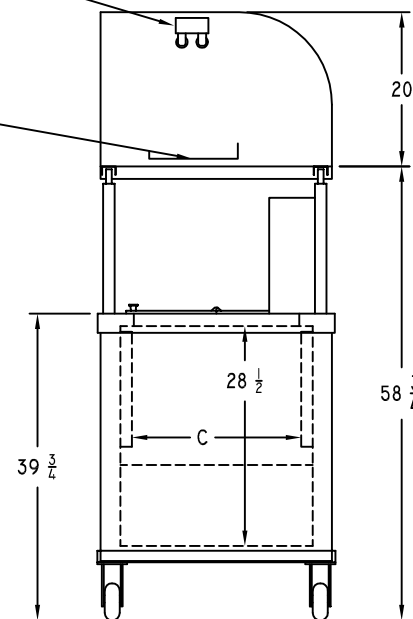
48" 2 BULB
FLUORESCENT
FIXTURE

SHELF

SHADE

(2) 6" SWIVEL CASTERS

(2) 6" RIGID CASTERS



39 3/4

20

58 3/4

28 1/2

C

REV.		C. NELSON MFG.	
TITLE: BD6-CE WITH SINK			
USED ON: FINISHED GOODS			1 OF 1
DWN. BY: JED	PART NO.:		REV.
DATE: 04/18/08	BD6-CE-03		NR
SCALE: AUTO			