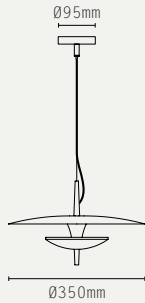


## LUNA PENDANT



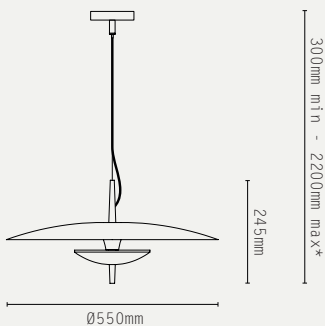
LUNA 350:



LUNA 450:



LUNA 550:



\*longer cable available at extra cost

**LIGHT SOURCE:**

INTEGRATED LED MODULE / 2700K  
/ 9.5W / 1000 LUMENS

**DIMMABLE:**

PHASE (MAINS) DIMMING

**VOLTAGE:**

240V AC (CLASS I)

**CERTIFICATIONS:**

CE / UKCA

**MATERIALS:**

BRASS, NATURAL STONE

**WEIGHT:**

LUNA 350: 3 KG (APPROX)  
LUNA 450: 3.5 KG (APPROX)  
LUNA 550: 4 KG (APPROX)

**HANGING OPTIONS:**

- SUSPENSION WIRE WITH CABLE
- DROP ROD (ON REQUEST)

**ADDITIONAL INFO:**

DESIGNED BY WILL EARL 2021  
MADE IN ENGLAND

**METAL FINISHES:**



ANTIQUÉ BRASS

**STONE OPTIONS:**



BLACK MARBLE



RED MARBLE



TRAVERTINE

**PRODUCT CODES:**

**LUNA 350**

- LUN.P35.AB.BM - ANTIQUÉ BRASS / BLACK MARBLE
- LUN.P35.AB.RM - ANTIQUÉ BRASS / RED MARBLE
- LUN.P35.AB.TV - ANTIQUÉ BRASS / TRAVERTINE

**LUNA 450**

- LUN.P45.AB.BM - ANTIQUÉ BRASS / BLACK MARBLE
- LUN.P45.AB.RM - ANTIQUÉ BRASS / RED MARBLE
- LUN.P45.AB.TV - ANTIQUÉ BRASS / TRAVERTINE

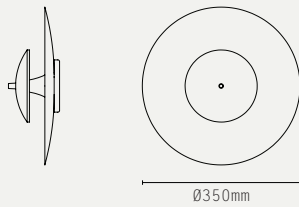
**LUNA 550**

- LUN.P55.AB.BM - ANTIQUÉ BRASS / BLACK MARBLE
- LUN.P55.AB.RM - ANTIQUÉ BRASS / RED MARBLE
- LUN.P55.AB.TV - ANTIQUÉ BRASS / TRAVERTINE

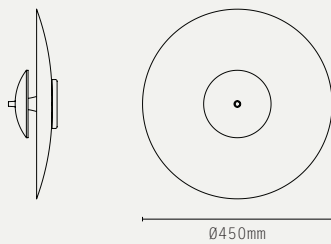
## LUNA WALL LIGHT



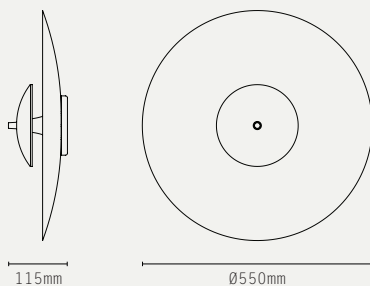
LUNA 350:



LUNA 450:



LUNA 550:



**LIGHT SOURCE:**

INTEGRATED LED MODULE / 2700K  
/ 9.5W / 1000 LUMENS

**DIMMABLE:**

PHASE (MAINS) DIMMING

**VOLTAGE:**

240V AC (CLASS I)

**CERTIFICATIONS:**

CE / UKCA

**MATERIALS:**

BRASS, NATURAL STONE

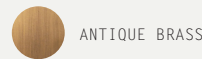
**WEIGHT:**

LUNA 350: 3 KG (APPROX)  
LUNA 450: 3.5 KG (APPROX)  
LUNA 550: 4 KG (APPROX)

**ADDITIONAL INFO:**

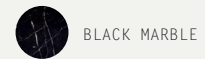
DESIGNED BY WILL EARL 2021  
MADE IN ENGLAND

**METAL FINISHES:**



ANTIQUE BRASS

**STONE OPTIONS:**



BLACK MARBLE



RED MARBLE



TRAVERTINE

**PRODUCT CODES:**

**LUNA 350**

LUN.W35.AB.BM - ANTIQUE BRASS / BLACK MARBLE

LUN.W35.AB.RM - ANTIQUE BRASS / RED MARBLE

LUN.W35.AB.TV - ANTIQUE BRASS / TRAVERTINE

**LUNA 450**

LUN.W45.AB.BM - ANTIQUE BRASS / BLACK MARBLE

LUN.W45.AB.RM - ANTIQUE BRASS / RED MARBLE

LUN.W45.AB.TV - ANTIQUE BRASS / TRAVERTINE

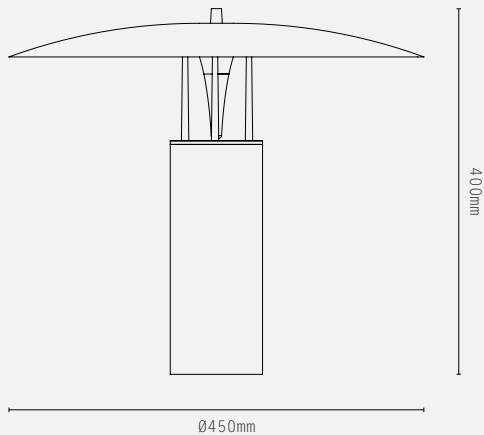
**LUNA 550**

LUN.W55.AB.BM - ANTIQUE BRASS / BLACK MARBLE

LUN.W55.AB.RM - ANTIQUE BRASS / RED MARBLE

LUN.W55.AB.TV - ANTIQUE BRASS / TRAVERTINE

## LUNA TABLE LIGHT



### LIGHT SOURCE:

GU10 LAMP BASE  
(12W MAX, LED ONLY)

### LAMP SUPPLIED:

1 X GU10 MR11 LED / 2700K /  
3.6W / 290 LUMENS

### VOLTAGE:

240V AC (CLASS II)

### CERTIFICATIONS:

CE / UKCA

### MATERIALS:

BRASS, NATURAL STONE

### WEIGHT:

6.5 KG (APPROX)

### FLEX:

2M COTTON BRAIDED FLEX WITH  
INLINE ON/OFF SWITCH

### OPTIONS / ACCESSORIES:

- 5A PLUG
- DESK FIXING
- INLINE DIMMER SWITCH

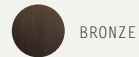
### ADDITIONAL INFO:

DESIGNED BY WILL EARL 2021  
MADE IN ENGLAND

### METAL FINISHES:



ANTIQUE BRASS



BRONZE

### STONE OPTIONS:



BLACK MARBLE



RED MARBLE



TRAVERTINE

### PRODUCT CODES:

LUN.T.AB.BM - ANTIQUE BRASS / BLACK MARBLE

LUN.T.AB.RM - ANTIQUE BRASS / RED MARBLE

LUN.T.AB.TV - ANTIQUE BRASS / TRAVERTINE

LUN.T.BZ.BM - BRONZE / BLACK MARBLE

LUN.T.BZ.RM - BRONZE / RED MARBLE

LUN.T.BZ.TV - BRONZE / TRAVERTINE

LUN.T.AB.BM.EU - ANTIQUE BRASS / BLACK MARBLE / EU PLUG

LUN.T.AB.RM.EU - ANTIQUE BRASS / RED MARBLE / EU PLUG

LUN.T.AB.TV.EU - ANTIQUE BRASS / TRAVERTINE / EU PLUG

LUN.T.BZ.BM.EU - BRONZE / BLACK MARBLE / EU PLUG

LUN.T.BZ.RM.EU - BRONZE / RED MARBLE / EU PLUG

LUN.T.BZ.TV.EU - BRONZE / TRAVERTINE / EU PLUG