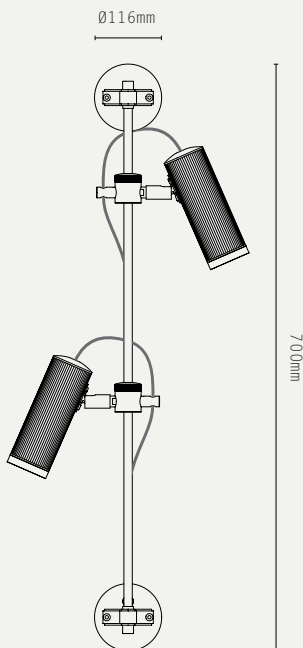


SPOT WALL RAIL LIGHT - DOUBLE



LIGHT SOURCE:

GU10 LAMP BASE
(12W MAX LED ONLY / 35MM MAX
LAMP DIAMETER)

LAMP SUPPLIED:

2 X GU10 MR11 LED / 2700K /
3.6W / 290 LUMENS / 36° BEAM

DIMMABLE:

PHASE (MAINS) DIMMING (USING
SUPPLIED LAMP)

VOLTAGE:

240V AC (CLASS I)

CERTIFICATIONS:

CE / UKCA

MATERIALS:

BRASS

WEIGHT:

2.2 KG (APPROX)

FLEX:

COTTON BRAIDED FLEX

OPTIONAL ACCESSORIES:

- DEEP MOUNTING BACKBOX
- EU JUNCTION BOX ADAPTOR

ADDITIONAL INFO:

DESIGNED BY WILL EARL 2019
MADE IN ENGLAND

METAL FINISHES:

-  ANTIQUE BRASS
-  SATIN BRASS
-  SATIN NICKEL

PRODUCT CODES:

SP.WR600.AB - ANTIQUE BRASS
SP.WR600.SB - SATIN BRASS
SP.WR600.SN - SATIN NICKEL