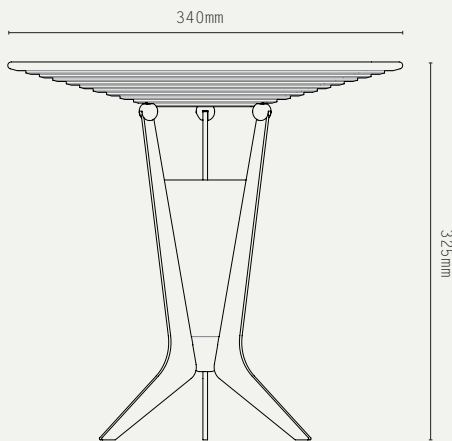


ARAGON TABLE LIGHT



LIGHT SOURCE:

GU10 LAMP BASE
(12W MAX, LED ONLY)

LAMP SUPPLIED:

1 X GU10 MR11 LED / 2700K /
3.6W / 290 LUMENS

VOLTAGE:

240V AC (CLASS II)

CERTIFICATIONS:

CE / UKCA

MATERIALS:

BRASS, ALABASTER STONE

WEIGHT:

4 KG (APPROX)

FLEX:

2M COTTON BRAIDED FLEX WITH
INLINE ON/OFF SWITCH

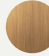
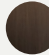
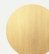
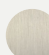
OPTIONS & ACCESSORIES:

- 5A PLUG
- DESK FIXING
- INLINE DIMMER SWITCH

ADDITIONAL INFO:

DESIGNED BY WILL EARL 2020
MADE IN ENGLAND

METAL FINISHES:

-  ANTIQUE BRASS
-  BRONZE
-  SATIN BRASS
-  SATIN NICKEL

PRODUCT CODES:

ARA.T.AB.WA - ANTIQUE BRASS / ALABASTER STONE
ARA.T.BZ.WA - BRONZE / ALABASTER STONE
ARA.T.SB.WA - SATIN BRASS / ALABASTER STONE
ARA.T.SN.WA - SATIN NICKEL / ALABASTER STONE

ARA.T.AB.WA.EU - ANTIQUE BRASS / ALABASTER STONE / EU PLUG
ARA.T.BZ.WA.EU - BRONZE / ALABASTER STONE / EU PLUG
ARA.T.SB.WA.EU - SATIN BRASS / ALABASTER STONE / EU PLUG
ARA.T.SN.WA.EU - SATIN NICKEL / ALABASTER STONE / PLUG