

## 28" FREESTANDING BOTTOM FREEZER

### FM4FBM28SS

CONTROLS	
Cooling system	Frost Free
Control system	Electronic
CAPACITIES	
Total net volume, cu. ft. (liters)	14 (396)
Fresh food net volume, cu. ft. (liters)	9.9 (280)
Freezer net volume, cu. ft. (liters)	4.1 (116)
FRIDGE FEATURES	
Indoor Digital Display	Yes
Automatic Defrost	Yes
Interior Lighting	LED
Shelves	3 Safety Glass
Crispers	1
Door Bins	3
Compressor	Variable Speed with Inverter (VVC)
Fan Assisted Cooling	Yes
FREEZER FEATURES	
Automatic Defrost	Yes
Freezer Drawers	3
TECHNICAL INFORMATION	
Supply voltage, V/Hz	120/60
Rated Current, Amps	2.4
Noise level, dB(A)	43
PERFORMANCE	
Energy Star Qualified	Yes
Refrigerant	R600a
DIMENSIONS	
Product H x W x D, in (mm)	67-1/2 x 27-9/16 x 27-1/4 (1715 x 700 x 692)
Package H x W x D, in (mm)	71-1/16 x 29-7/8 x 30 (1805 x 755 x 762)
Product weight, lbs. (kg)	168 (76)
Packed weight, lbs. (kg)	174 (79)
FINISH OPTIONS	
Stainless	Yes



#### APPLIANCE HIGHLIGHTS

- Contemporary European design
- Fast cooling and freezing
- Front recessed handle
- Internal LED light
- Reversible door
- 3 Transparent freezer drawers
- 1 Transparent crisper
- Frost free



#### Installation Note:

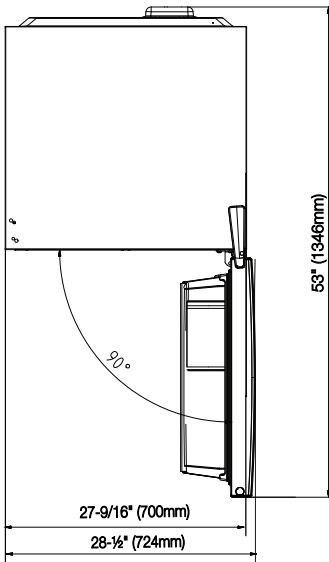
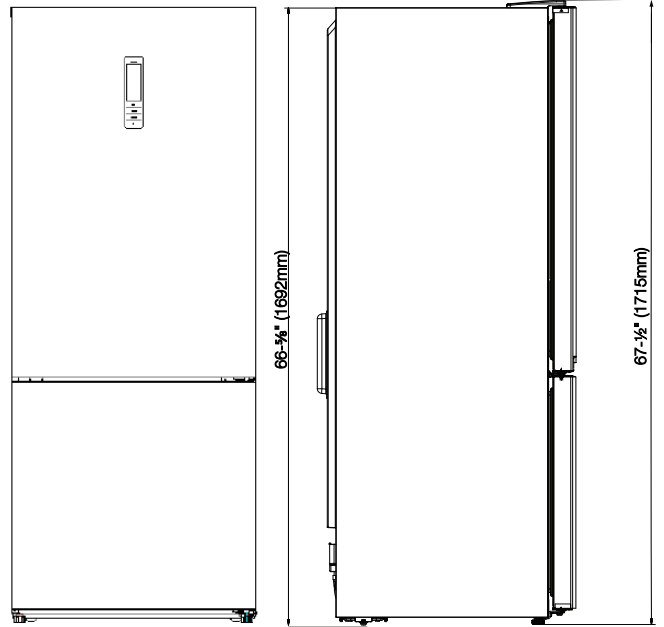
For the most up-to-date information of any of the products in this manual, please visit [www.fulgor-milano.com](http://www.fulgor-milano.com), or call your local dealer prior to final installation of the product. Fulgor Milano reserves the right to make updates to the information and products or discontinue models without notice. Any information regarding applicable limited warranty may be found in accompanying product materials or call your local dealer for further details. Proper installation is responsibility of the installer. Fulgor Milano declines all responsibility for damages to products, property, or people deriving from incorrect installation or improper, erroneous or unsuitable use. All product dimensions are noted in inches and metric units.

## 28" FREESTANDING BOTTOM FREEZER

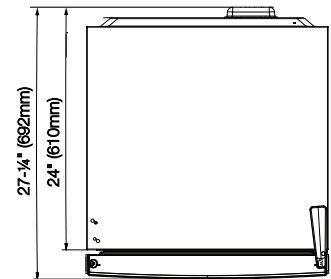
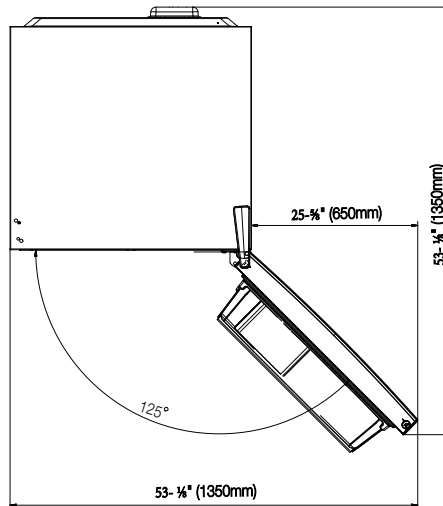
FM4FBM28SS

### DIMENSIONS AND INSTALLATION

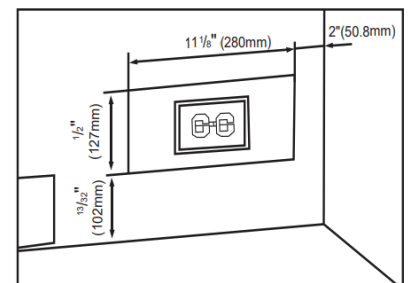
DIMENSIONS	
Height to top of hinge	67-½" (1715mm)
Height to top of the fridge body	66-⅝" (1692mm)
Unit depth without door	24" (610mm)
Unit depth with door	27-¼" (692mm)
Depth with fresh door open 90°	53" (1346mm)
Width	27-9/16" (700mm)
Width with door open 90°	28-½" (724mm)
AIR GAP CLEARANCES	
Each Side	¼" (6.4mm)
Top	1" (25mm)
Back	1-3/16" (30mm)



\*Crisper drawer can be pulled out with door open at 90°



#### Electrical



#### Installation Note:

For the most up-to-date information of any of the products in this manual, please visit [www.fulgor-milano.com](http://www.fulgor-milano.com), or call your local dealer prior to final installation of the product. Fulgor Milano reserves the right to make updates to the information and products or discontinue models without notice. Any information regarding applicable limited warranty may be found in accompanying product materials or call your local dealer for further details. Proper installation is responsibility of the installer. Fulgor Milano declines all responsibility for damages to products, property, or people deriving from incorrect installation or improper, erroneous or unsuitable use. All product dimensions are noted in inches and metric units.