

The diagram above is just for reference. Please take the appearance of the actual product as the standard.

WATER PURIFIER

Instruction Manual

Model: JL2345T-UF

1. PRECAUTION

1-1 Safety Issues

Please note the following brief icons and rules for safe use of this product



Troubleshooting

When the machine fails, please disconnect the power and water source immediately



Maintenance

Never remove the parts on the machine to avoid leakage or damage



Avoid contact with children

Never have the machine operated by a child



Temperature

Please use the product in a dry place with the temperature of 4-43°C



Electricity prevention

To avoid leakage of electricity.



Accessories and filters

To maintain the normal operation of the machine, be sure to use accessories and filters supplied by original company



Emergency call

For any help, please call the local sale service center or the national service hotline



Correct repair service

This machine can only be repaired by qualified personnel designated by this company



Avoid direct sunshine

Do not install the machine in a place exposed to direct sunshine



Anti-freeze

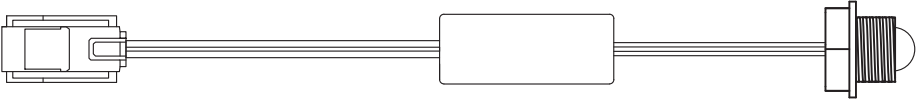
Never store or expose the product duct in an environment less than 0°C

- 1.This appliance can be used by children aged from 8 years and above if they have been given supervision or instruction concerning use of the appliance in a safe way and if they understand the hazards involved. Cleaning and user maintenance shall not be made by children unless they are older than 8 and supervised. Keep the appliance and its cord out of reach of children aged less than 8 years.
2. Appliances can be used by persons with reduced physical, sensory or mental capabilities or lack of experience and knowledge if they have been given supervision or instruction concerning use of the appliance in a safe way and understand the hazards involved.
- 3.Children shall not play with the appliance.
- 4.If the supply cord is damaged, it must be replaced by the manufacturer, its service agent or similarly qualified persons in order to avoid a hazard.
- 5.Do not store explosive substances such as aerosol cans with a flammable propellant in this appliance.
- 6.This appliance is intended to be used by expert or trained users in shops, in light industry and on farms, or for commercial use by lay persons.
- 7.The appliance is suitable for indoor use only.
- 8.WARNING: Keep ventilation openings, in the appliance enclosure or in the built-in structure, clear of obstruction.
- 9.WARNING: Do not use mechanical devices or other means to accelerate the defrosting process, other than those recommended by the manufacturer.
- 10.The appliance must not be immersed.
- 11.WARNING: To avoid a hazard due to instability of the appliance, it must be fixed in accordance with the instructions.

12. This machine is applicable to the water environment with TDS value less than 250 in case of the high water hardness lead to incrustation even breakdown of the hot tank.
13. The appliance must not be cleaned by a water jet.
14. This product is not recommended to use in areas above 1,500m altitude.

Additional Warnings :

1. This appliance contains a UVC-LED emitter.



2. **WARNING:** UV radiation is dangerous for eyes and skin. Do not operate the UVC-LED emitter outside the appliance.
3. **WARNING:** Do not operate the UVC-LED emitter when it is removed from the appliance enclosure.
4. Unintended use of the appliance or damage to the housing may result in the escape of dangerous UVC-LED radiation. UVC-LED radiation may, even in little doses, cause harm to the eyes and skin.
5. The replacement of the UVC-LED emitter by the user is not allowed.
6. **Caution:** UV Light Source - Disconnect the electrical source of supply to the UV radiation before opening cover.
7. Replace the UV-LED Lamp with model:
YB09-950-022, Rating: DC 24V, 0.17W±20% or
Li-UQ01L-M02, Rating: DC24V 0.8W±10% or
UVC-LED-002, Rating: DC24V, 0.96W or
VTWP-RH35P-M17A, Rating: DC24V, 0.8W.
(For the replace instruction, any one or more models and their rating mentioned above are acceptable.)
8. The unit shall be installed under protection of a ground-fault circuit interrupter.
9. Appliance that are obviously damaged must not operated.
10. This appliance is not intended for use by persons (including children) with reduced physical, sensory or mental capabilities, or lack of experience and knowledge, unless they have been given supervision or instruction concerning use of the appliance by a person responsible for their safety. Children should be supervised to ensure that they do not play with the appliance.”
11. The appliance shall plug into electrical socket which is protected by a ground-fault circuit interrupter

⚠ R600a SAFETY INSTRUCTION

- **WARNING:** Risk of fire / flammable materials!
- **WARNING:** During transportation, installation, cleaning & use of the appliance, care should be taken to avoid damage to the refrigeration circuit which could result in a refrigerant leak.
- **WARNING:** Do not use mechanical devices or other means to accelerate the defrosting process, other than those recommended by the manufacturer.
- **WARNING:** Do not use electrical appliances inside the reservoir, unless their use has been recommended by the manufacturer.
- This refrigerant is flammable - please follow these precautions to ensure safe operation of the appliance:
 - Keep ventilation openings in the appliance clear of obstruction.
 - If damage to parts that contain refrigerant occurs, then avoid any open flames or potential sources of ignition and ventilate the room where the appliance is located for thirty minutes.
 - Servicing of this appliance should only be carried out by trained and qualified personnel.
 - Old units must be disposed of safely in accordance with local laws. Contact your municipal authority about disposal of WEEE in your locality.
 - Do not use an extension cord as it may overheat, increasing the risk of fire.
 - Never turn the dispenser upside down. If the dispenser has been resting on its side for a long period of time, place the unit in the upright position for approximately 12 hours before using.
 - Keep your water dispenser in a dry place away from direct sunlight.

WARNING-GENERAL

- To avoid hazard due to instability of the appliance it must be fixed according to the instructions.
- When positioning the appliance, ensure the supply cord is not trapped or damaged. Do not locate portable socket-outlets or portable power supplies at the rear of the appliance.
- Hot water can scald.



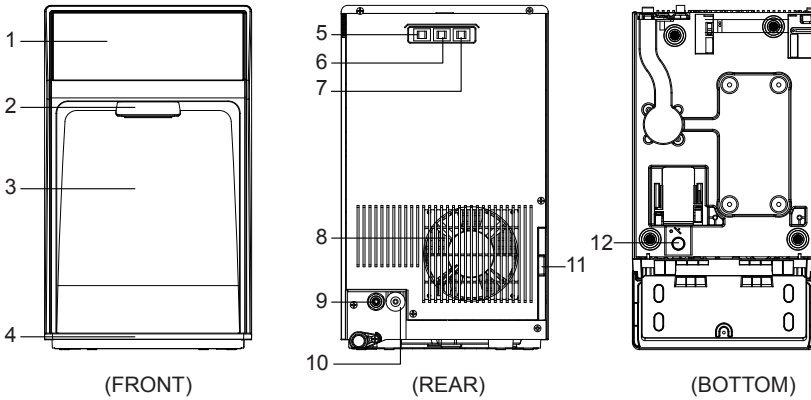
DANGER: Flammable Refrigerant Used.
To be repaired only by trained service personnel.
Do not puncture refrigerant tubing.
CAUTION: Risk of Fire or Explosion.
Dispose of properly in accordance with National or local regulations.

1-2 Packing List

Packing box	Water Purifier (1 set)
Materials bag	User's Manual (1 copy)

2. Your Direct Drinking Water Purifier

2-1. Part Name of Water Purifier



No.	PART NAME	No.	PART NAME
1	Display screen	8	Fan
2	Water outlet	9	Water inlet
3	Front Frame	10	Power cord
4	Drip tray	11	Fan Dust gauze (on the side)
5	Heating switch	12	Drain water outlet (for ambient and hot water)
6	Cooling switch		
7	Filter reset switch		

NOTE:

Please use the product in a place with temperature of 4-38°C and relative humidity less than 90%. TO enhance produce performance, product parts may be changed without notice.

2-2. Model and Major Parameters

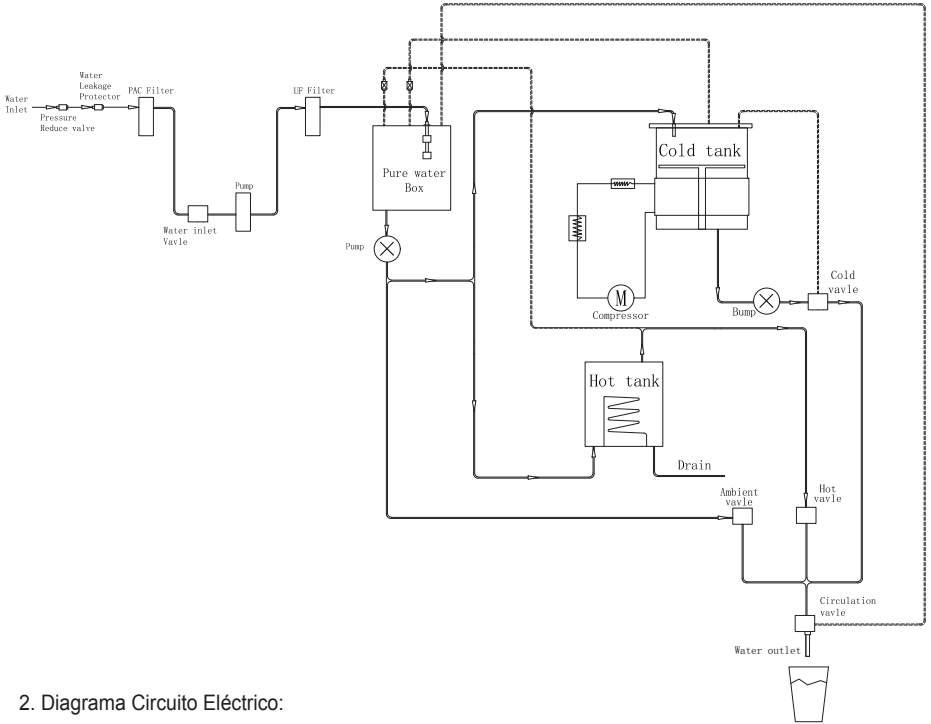
Model	JL2345T-UF
Rated voltage	220-240V~
Rated frequency	50/60Hz
Rated power	540W
Heating power	420W
Cooling current	1.0A
Refrigerant	R600a(20g)
Rated pure water flow (outlet)	1.2L/min
Hot water capacity	4L(≥85°C)
Cold water capacity	2.5L(≤10°C)
Applicable environment	4-40°C humidity ≤90%
Applicable water pressure	0.1-0.4MPa
Applicable water	Tap water
	TDS≤250ppm
Applicable water temperature	5-38°C
Stage 1	PAC filter
Stage 2	UF filter
Product size	260(W)x445(D)x433(H)mm
Packing size	325(W)x540(D)x525(H)mm

2-3. Product Features

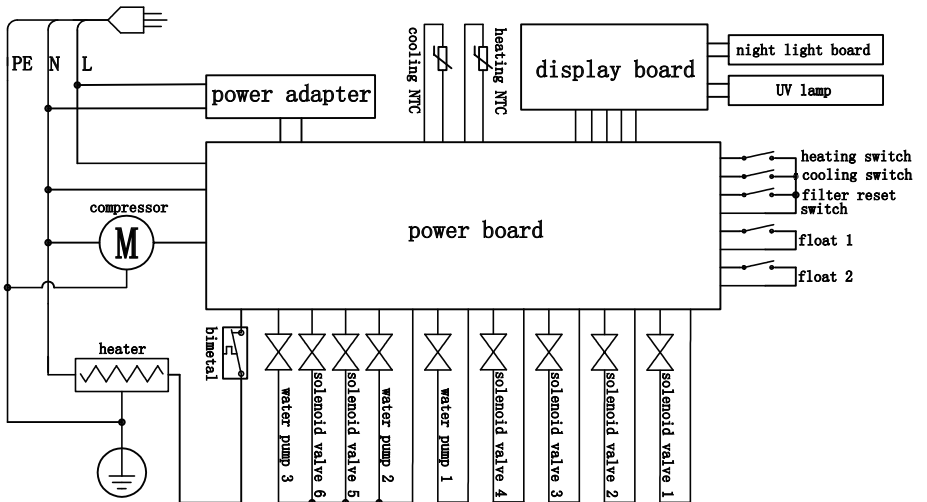
1. 3 Temperature Selections.
2. Filter life time reminder.
3. Post **UV Sterilize** water just before you drink.
4. **ECO Mode** automatically power off the heating and cooling system at night by SMART detector.
5. **Fixed water volume** function. Set your hands free
6. PAC filter reduces odor, chlorine, smell
7. Compressor for cooling: adopt stable, high-efficiency and low noise compressor.
8. 420W Heating element for hot water. **Extreme heating** function heats water up to 85°C maximum.
9. **Dynamic cooling** with flowing water. Cool water reaches to 2°C minimum.
10. **Hot water circulation** in the pipeline: Effectively remove odor from water and reduce bacteria breeding in water.
11. Child lock for safety.

2-4. Working Principle

1. Flowchart of water generation



2. Diagrama Circuito Eléctrico:



2-5 Filter function introduction

Stage	Filter	Function
Stage 1	PAC filter	Carry out coarse filtration of original water, and filter out mud, sand, impurity, iron rust and suspension, etc. Absorb unusual colors and odors, Remove residual chlorine and organic substances in water.
Stage 2	UF filter	Remove bacteria, suspended solids turbidity, colloids, macromolecular organic matter.

3. Use Guide and Maintenance

WARNING: Please cut off water source before replacing filters. Never plug filters in water running state.

3-1 Guidance on Unpacking and Installation

1. Open the top of the packing case, take out the top foam and its accessories.
2. Put the accessories aside.
3. Unpack the product, install the water collector.
4. Before installation, To study the use of the quick connector.

Connect the tubing

The system includes push-in fittings for quick tubing connection. Review the following instructions before connecting the tubes in the next step.

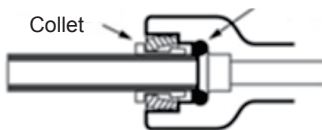
Cut tube to length:

- 1) Use a sharp cutter or knife to cut the end of tubing. Always cut the tubing square.
- 2) Inspect the end (about 30 mm) of the tubing to be sure there are no nicks, scratches or other rough spots. If needed, cut the tubing again.

Connect tubes:

- 1) Push tubing through collet until it engages the o-ring. Continue pushing until the tube bottoms out against the back of the fitting. A common mistake is to stop pushing when the tube engages the o-ring. This will lead to future leaks. When a 3/8" tubing is fully engaged, 20 mm of the tube has entered the fitting (Figure 4).
- 2) If using tubing other than that supplied with the system, be sure it is of high quality, exact size and roundness with a smooth surface.

Tube partially engaged with fitting



Tube fully engaged with fitting

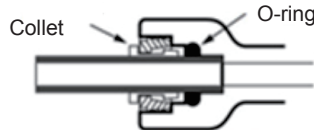
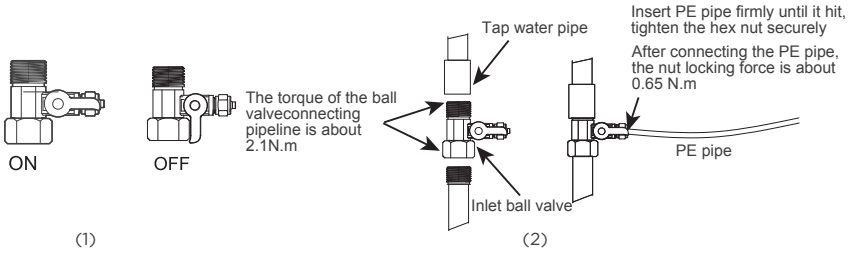


Figure4

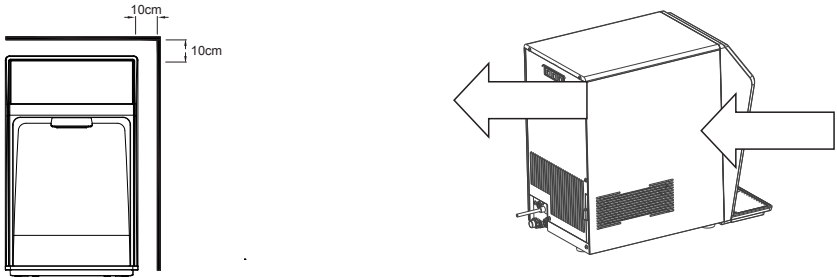
Disconnect tube:

- 1) Push the collet inward with finger tips and hold it.
- 2) Pull the tubing out.

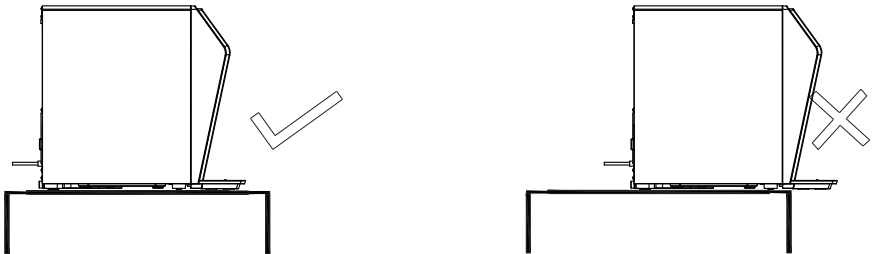
5. Take out the quick joint, and install it on the water pipe.



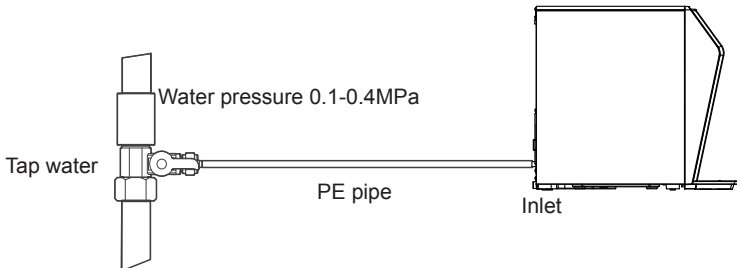
6. When installing the machine, please pay attention to the installation dimension in case of the blocking of air inlet and outlet.



7. Drip tray cover must be properly placed inside the machine. No suspending in midair in case of falling off.



8. Take out the pin of the quick joint at the rear of the product's base plate, and then take out the blue plug.



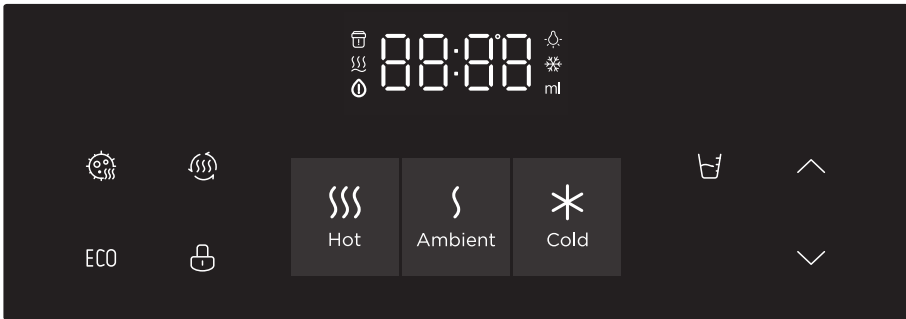
10. Insert the water inlet PE pipe in the quick joint, and tighten the pin.
11. The water cooler plug cord into a ground fault interrupter receptacle.
12. When installing filter and replace filter please turn off the water and power supply before installation and replacement.
13. After installing , supply power, and begin to use the Water purifier.

3-2 Using The Product

Start up

1. Power on, start to use the product.
2. When using it for the first time, wait until the water is fully filled , press the cold water output and hot water output buttons till discharging cold water and hot water from the faucet, ensure to remove the air from the hot tank and cold tank, ensure the dry burning indicator of the product is under normal state.
3. After step 2, then turn on the heating and cooling switches on the rear side according to the actual requirement, start the heating and cooling functions, the green one is the cooling switch and the red one is the heating switch.

Control Panel



Icon	Description	Icon	Description
	Hot water circulation button: Effectively remove odor from water and reduce bacteria breeding in water.		Quantitative Water Output Button: Touch the Quantitative Water Output Button, this icon lights up, It means you Select the the quantitative water output function.
	Extreme Heating Button: With this function, you can make hot water temperature higher than normal heating function.		Up button: To adjust time & temperature settings.
	ECO Button: Touch to turn on / off Eco Mode in which the heating and cooling function is disabled and energy is being saved.		Down button: To adjust time & temperature settings.
	Child Lock: To wake appliance up while dormancy or unlock safety state while output hot water.		Cold Water Button: Touch the Cold Water Button.,this icon lights up, It means you Select the cold water.
	Hot Water Button: Touch the Hot Water Button, this icon lights up, It means you Select the hot water.		UV Working Indicator When the UV sterilizing is enabled, UV icon turns on.
	Ambient Water Button: Touch the Ambient Water Button, this icon lights up, It means you Select the ambient water.		

3-2-1 Taking Water Function

Water output

Press the corresponding water button, its indicator turns on and corresponding water starts to output (for hot water, you need to press the unlock button first) , press the water button again to stop the water output.

Note: As the pure water inlet flow is much less than the pure water outlet flow because of RO system, the maximum continuous water intake that the product can do will be 1.2L (corresponding to 40 seconds). While the water making icon is on ,you need to wait it to finish its process , then start to output water.

Quantitative water output

For quantitative water output, we have two gear choices : 180mL & 450mL

Press the quantitative water output gear to choose the volume ,then press the corresponding water button to output water with set volume.

The product also has a customized quantitative water outflow model.

Long press quantitative water output for 3s , then conduct a water outflow operation according to the normal product water outflow operation, and the product will record the water intake amount this time.

When taking water next time, press the quantitative water output button, and the product will display the value of the last customized quantitative water output. At this time, if to take water, the appliance can repeat the last water intake amount to take water.

ECO Function

Under the state that ECO function is enabled, if it detects that the light diminished, it will turn off the heating function. If it detects that the light turned bright, the heating function will be recovered automatically.

3-3 Filter Replacement Cycle

PAC filter	UF filter
6-12 months or 3600L	12-18 months or 5400L

Special hints:

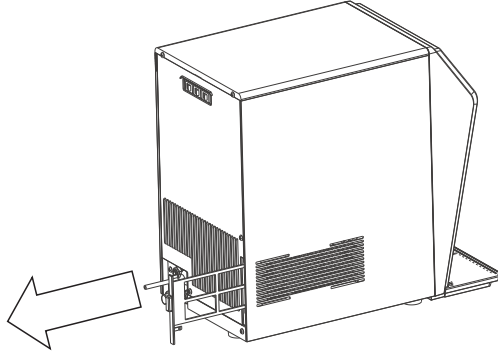
The data above are for references only. It is based on 10L per daily drinking water. The specific cycle for replacement of filters varies with local water quality and water amount consumed. while the "Filter" is twinkling, it indicates the filter should be changed as the schedule. After you replace new cartridges, please long press Filter reset button to reset the filter indicator.

3-4. Maintenance

1. Keep this machine in a dry and cool place and avoid direct sunshine. Never put the machine on paper or foam, which may store water and then cause creepage. Never put anything flammable beside this machine. Do not use the machine outdoors or in a place that can be splashed by water.
2. For the water purifier, the installation and replacement of filters must be carried out by qualified personnel.
3. In case the machine is not in use for a long time, turn off the heating switch or the refrigerating switch to save power.
4. In case the machine is not needed for a long time, please take off the plug, turn off the water inlet and drain off the remaining water through the outlet. Before drain off the remaining water, please turn off the Cooling switch and the Heating switch and taking out hot water form water outlet. After that, please pull the plug and then drain off the remaining water. When drain off the cold tank water, it can accelerate the draining speed by taking off the top cover and pull out the cold tank quick connector. For another use, discharge water for 10 min, In the event that the machine is blocked by ice due to the environment below ice point, keep the refrigerating switch closed for 4 hours and then turn it on continue the operation.
5. In case the water supply is cut off, please close the feed water ball valve and cut off the power. After water re-supply, please open the other faucets to discharge sediment and then turn on the feed water ball valve.
6. The machine must use an earthed three-pin socket and a reliable creepage protection switch.
7. Never use organic solvents such as gasoline to clean the machine; strictly prohibit washing the machine with water or splashing water to the machine.
8. Never turn on (off) the machine by inserting the plug into (pulling the plug out from) the socket. Never increase the length of the supply cord to avoid fire.
9. If the supply cord is damaged, it must be replaced by the manufacturer or qualified person so as to avoid a hazard.
10. The water source for the water purifier is civil tap water.
11. Never dismantle spare parts of the machine to avoid water leakage or damage.
12. Never turn the machine upside down or lean it more than 45° when moving it so as to avoid any damage to it or any accident.
13. Limited warranty: electrical components and water system are warranted for 12 months from date of purchasing.

3-5 Special maintenance(Clean the intake dust-proof net)

1. There is a dust-proof net on the side of the entire machine, which is used to prevent dust from entering the interior of the product and affecting cooling when the fan cools it;
2. Under long-term use, dust can accumulate on the dust-proof net, affecting the air intake required for product cooling. For this, we need to clean the dust screen every interval of time;
3. Method for cleaning the dust-proof net: Remove the dust-proof net from the back of the product, rinse with water, and wipe with a cloth. Do not use hard materials such as steel wire balls to clean the dust-proof net, as it will cause damage to the dust screen.



4. Before cleaning the dust screen, for safety reasons, please ensure that the product is in a power off state;
5. After completing the cleaning of the dust screen, ensure that the dust screen is dry enough, install the dust screen back in its original position, and turn on the power again to start the work
6. We suggest that the frequency of cleaning the dust screen should be roughly the same as the frequency of replacing the filter element

3-6. Troubleshooting

In case of failure, please carry out inspection according to the requirements below.
If unresolved, please contact the local service agency.

Failure	Cause	Solution
Display shows E6	Low water pressure	Check the tap water and then power on again
	Filter not replaced in time, beyond the use time	Please contact the local service agency to replace the filter and then power on again
	Pipe not connected properly or water pipe and PE pipe bursting that cause water leakage	1. Inspect the connector to connect the pipe properly 2. Replace the water pipe and PE pipe Power on again after troubleshooting
Unsuitable water temperature	Over consumption of water in a short time	Just wait a moment, and water is available again
	Power supply not put through	Switch on power supply
	Corresponding functions not started	Press a corresponding function key to start the function
	Internal water pump components damaged	Call after-sales maintenance service, do not allow self disassembly of products
Electric leakage	Machine in poor contact with ground	Use a three-pin socket with earth wire, making the machine grounded properly
Noisy operation	Not installed steadily	Place the machine on a steady & solid surface
Machine fails to run	Power supply not put through	Switch on power supply

It is a normal state that the following circumstances occur when the water purifier is used.

1. During the heating, the heating tube may generate slight noises. This is a normal state.
2. When the heating tank is being heated without water, the anti dry-burning device will disconnect automatically and can not reset by its own. The reset must be completed by a professional technician. The design is in accordance with the national safety requirements.
3. When an ambient temperature is higher, the cooling capacity may be slower, which is a normal state.

The product is subject to change without notice.
Please keep this manual properly.

**Foshan Midea Chungho Water purification
Equipment Co., Ltd**

No.68 GuangLe Road, BEIJIAO, SHUNDE, FOSHAN,
GUANGDONG, P.R.CHINA