



Date: _____ Type: _____

Client: _____

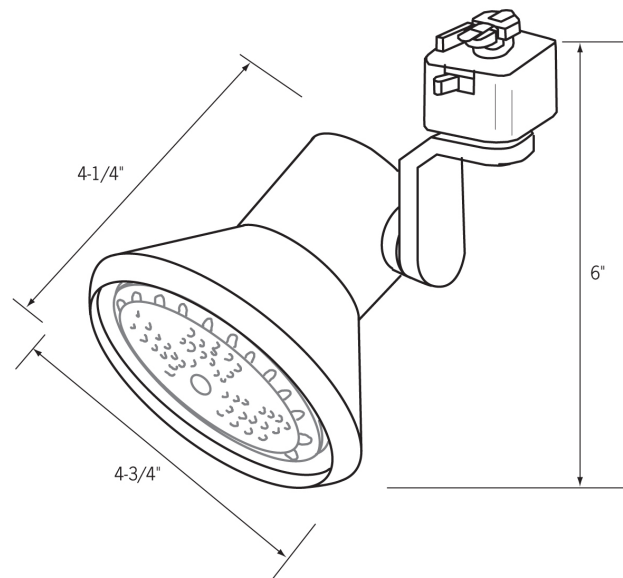
Project: _____

CLCTL6130-SC Track Light

PAR30 Lampholder with - Reflector Cone

Line Voltage Track Fixture

- Low profile molded side swivel design with "Sure-Set" precise aiming.
- Short barreled reflector cone lampholder assembly is made of formed steel.
- Track connector and fixture arm are black finish, reflector cone has satin chrome finish.
- Integral ON/OFF switch and track polarity indicator are standard.
- 75W PAR30 lamp recommended
- cULus listed.
- Suitable for dry locations.



Related Products



Track



CLA6 - End feed w/ cord & plug



CLA2 - Mini connector



CLA3 - Flexi-connector



Replacement lamps



CLA12 - Straight/L connector



CLA15 - T connector



Power strips



Display Supply & Lighting, Inc.

Display Supply & Lighting, Inc.
1247 Norwood Avenue
Itasca, IL 60143 USA
TF 800.468.1488
P 630.285.9660
F 630.285.9670
www.dslgroup.com

Copyright © 2016 Display Supply & Lighting, Inc. All rights reserved. All brand or product names are trademarks or registered trademarks of their respective owners. Due to continuous improvements and innovations, specifications may change without notice.