

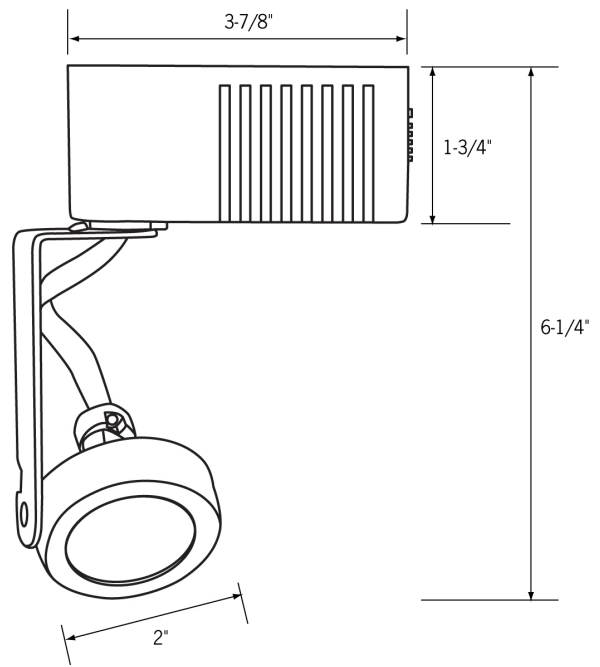


Date: _____ Type: _____
 Client: _____
 Project: _____

CTL816T Track Light

Low Voltage Gimble ring

- Long gimbal designed for low voltage (12V) MR16 Halogen lamps.
- Sure-Set yoke design provides accurate aiming; holding fixture in position without unsightly knobs.
- 358° aiming.
- For use with single circuit track only.
- 50W MR16 lamp (max.), GU5.3 base.
- Solid state electronic transformer (120V/12V) encased in a polycarbonate transformer housing
- On fixtures designed for use with MR16 lamps, a clear, tempered safety glass is provided. This safety glass should only be used with open MR16 lamps, and not used with MR16 lamps that contain an integral glass lens. This safety glass should be removed if use of MR16 with front glass is required.
- cULus listed.
- Suitable for dry locations.



Related Products



Track



CLLA6 - End feed w/ cord & plug



Replacement lamps



CLLA2 - Mini-connector



CLLA3 - Flexi-connector



CLLA12 - Straight/L connector



Power strips



Display Supply & Lighting, Inc.

Display Supply & Lighting, Inc.
 1247 Norwood Avenue
 Itasca, IL 60174 USA
 TF 800.468.1488
 P 630.285.9660
 F 630.285.9670
 www.dslgroup.com

Copyright © 2013 Display Supply & Lighting, Inc. All rights reserved. All brand or product names are trademarks or registered trademarks of their respective owners. Due to continuous improvements and innovations, specifications may change without notice.